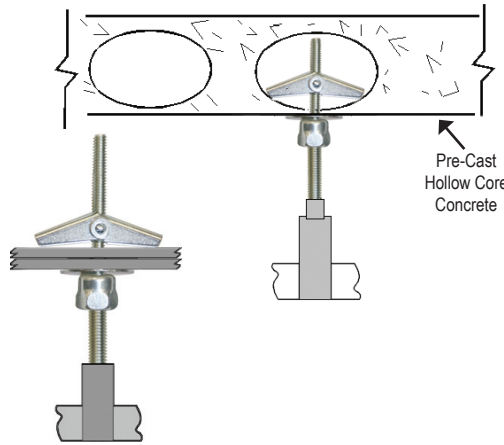


ACCESSORIES

SAMMYS TOGGLE™



Application



Pre-Cast
Hollow Core
Concrete

Installation Steps

1. Pre-drill a 5/8" hole with a regular drill or hole saw.
2. Insert SST screw into #14 black nut driver. With wing nut and washer on bolt, insert wing nut through surface, and begin installation.
3. When bolt is secure and nut driver spins free, stop drill motor and remove.
4. SST screw is now ready to receive 1/4", 3/8", or Metric all thread rod or bolt stock.



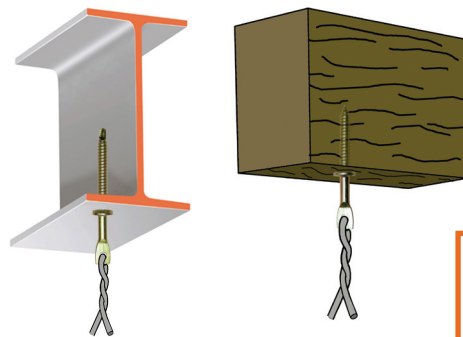
#14 Black
Nut Driver
Part # 8113910

Rod Size	Part Number	Model	Screw Descriptions	Ultimate Pullout (lbs)	Box Qty	Case Qty
1/4"	8063925	SST 300	1/4 x 3"	450 (Lath & Plaster) 404 (2 Layers 5/8 Rock)	25	125
3/8"	8064925	SST 30	1/4 x 3"	450 (Lath & Plaster) 404 (2 Layers 5/8 Rock)	25	125

CEILING SCREWS



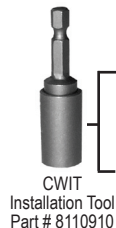
Application



Use the
Speedy Pole Tool™
for easy installation
of ceiling screws
without ladders
or scaffolding!
(see pg 13 for details)

Product Features

- 3/16" eyelet to accommodate common wire size.
- ICC approvals can be found at www.itwbuildex.com under Evaluation Report # ER-5367.



CWIT
Installation Tool
Part # 8110910

Approvals	Substrate	Part Number	Model	Point	Description	Overall Total Length	Ultimate Pullout (lbs)	Max Gauge	ICC Test Load (lbs)	Box Qty	Case Qty
ICC	STEEL	8107957	CWSD 1*	Teks	1/4 x 1"	2"	472 (20 ga)	16 ga.	170 (20 ga.)	25	125
ICC	STEEL	8190957	CWSD 15*	Gimlet	1/4 x 1-1/2"	2-3/4"	472 (20 ga)	20 ga.	170 (20 ga.)	25	125
ICC	WOOD	8108957	CWSD 2*	Teks	1/4 x 2"	3-1/4"	1393 (Fir)	16 ga.	170 (20 ga.)	25	125
ICC		8110910	CWIT Installation Tool								1

* Does not comply with ROHS requirements