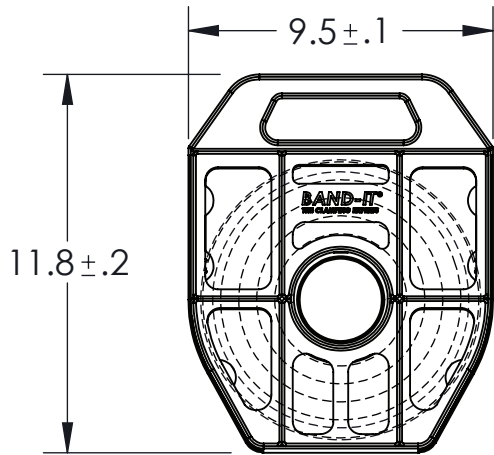
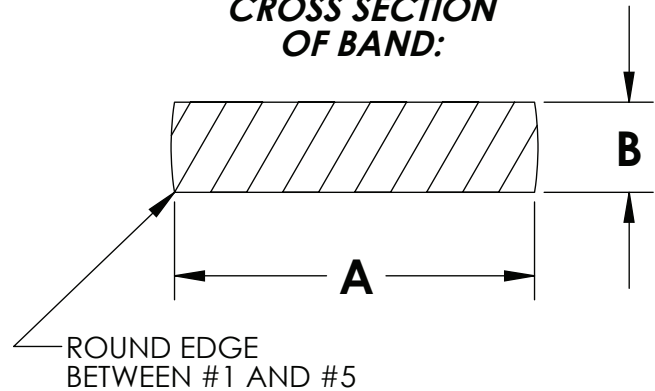


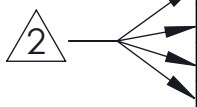
CUSTOMER SPECIFICATION DRAWING



CROSS SECTION OF BAND:



PART NUMBER	A ±.005	B ±.002	LENGTH ±2% (FEET)	MATERIAL	WEIGHT (LBS)
GRC203	3/8	.025	50	201 SS	2.01
GRC403				316 SS	2.03
GRC904	1/2	.015		304 SS	1.70
GRC181		.020		200-300 SS	2.11
GRC204		201 SS		2.97	
GRC304		GCS		2.94	
GRC404		316 SS		3.00	
GRC905	5/8	.015	100	304 SS	3.91
GRC171		.020	50	200-300 SS	2.74
GRC205		.030		201/301 SS	3.88
GRC405		.030		316 SS	3.65
GRC906	.015	304 SS		2.35	
GRC161	3/4	.020	50	200-300 SS	3.00
GRC206		.030		201 SS	4.27
GRC306				GCS	4.21
GRC406				316 SS	4.31
GRG430				3/4	.044
GRG431	1	.044	15.05		
GRC432	1-1/4	.044	50	201 SS	9.99
GRG432	1-1/4	.044	100		19.37



NOTES:

- MATERIAL PER BAND-IT SPECIFICATIONS.
- GRC432, GRG430, GRG431, GRG432 IS SUPPLIED IN A KRAFT BOX.

BAND-IT®

A unit of ~~IDEX~~ Corporation
P.O. Box 16307
Denver, Colorado U.S.A.

PROPRIETARY AND CONFIDENTIAL

THIS DRAWING WITH ALL CONTENTS IS PROPERTY OF BAND-IT-IDEX, INC. REPRODUCTION, DISCLOSURE OR MFG. OF MATTER SHOWN IS PROHIBITED WITHOUT WRITTEN PERMISSION. DO NOT SCALE DRAWING. UNLESS OTHERWISE NOTED, DIMENSIONS ARE IN INCHES AFTER FINISH.

TITLE:

ROLL BAND,
GRAINGER

DWG. NO.

GRC20

REV D