

# TLCH Series Floor Locks

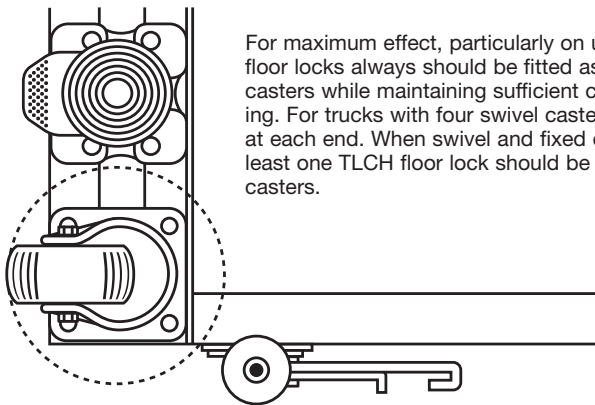
**F**lexello TLCH Series floor locks provide a ready means of instantly securing a truck or other mobile equipment in a fixed position without raising it. Sturdy and dependable, they feature an electrostatic-sprayed black matte finish. A zerk fitting facilitates greasing.

TLCH Series floor locks bolt to the underside of a truck with the top face exactly 7-7/8" above the ground to ensure optimum performance. Complete freedom of movement is restored by applying slight downward pressure on the special foot pedal provided. The operating force is moderate and does not vary with the load as the "over-center" linkage presses the rubber pad into firm contact without lifting the casters off the ground.

The TLCHR model features a longer and wider engagement pedal so that the unit is safer and easier to step down and lock into position. It also has a thicker rubber mounting pad attached to the unit with a heavy-duty threaded bolt for added strength and easier replacement of the pad.



TLCH Series Floor Lock



For maximum effect, particularly on uneven floors, TLCH Series floor locks always should be fitted as close as possible to swivel casters while maintaining sufficient clearance (radius) for swiveling. For trucks with four swivel casters, use one TLCH floor lock at each end. When swivel and fixed casters are used together, at least one TLCH floor lock should be used next to the swivel casters.

*It is essential that the TLCH or TLCHR floor lock be mounted with the top face exactly 7-7/8" (200mm) above the ground surface to ensure correct performance.*

## TLCH SERIES

Top Plate Overall	Bolt Pattern	Overall Height (Free Position)	Overall Height (Pad Extended)	Part Number
6" x 4-1/2"	5" x 2-1/2"	6-3/8"	8-1/8"	TLCH
6" x 4-1/2"	5" x 2-1/2"	6-3/8"	8-1/8"	TLCHR*

\* Features longer/wider engagement pedal and thicker mounting pad.

## Other Special-Duty Casters Available from Revvo:

- **Revvo Floor Locks** for securing mobile equipment in position. Overall heights (pad extended) of 5-5/8", 6" and 8-1/4".
- **Flexello Towcasters** for moving ISO freight containers. Load capacities of 22,000 and 26,400 lbs. (9,980 to 11,975 kg).
- **Revvo Pivoting Axle Casters** for heavy-duty towing. Load capacities of 4,000; 13,200 and 26,400 lbs. (1,815; 5,988 and 11,975 kg).
- **Revvo Inverted Roller Casters** for cargo handling. Load capacities of 480 and 715 lbs. (218 and 325 kg).



### The Revvo Caster Company, Inc.

2420 North America Drive, West Seneca, NY 14224  
P.O. Box 236, Fort Erie, ON L2A 5M9

TOLL-FREE: 1-888-883-3596 • Phone: 716-675-9609 • Fax: 716-677-2363

E-Mail: [info@revvocaster.com](mailto:info@revvocaster.com) • [www.RevvoCaster.com](http://www.RevvoCaster.com)