



PW7650 OHP



CA38106 M

Spring Retractable, Hand Crank, Motor Driven

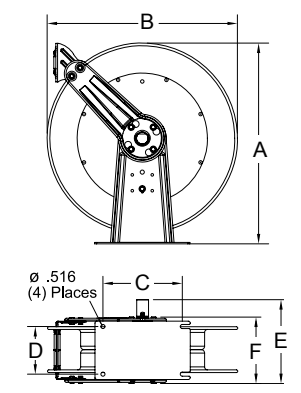
Air/Water - 1/4", 3/8", 1/2" I.D.

Compact design and quality steel construction are incorporated into Reelcraft's full line of pressure wash reels, rated up to 5000 psi. Series PW, H18006 and 30000 reels are able to carry 50 to 425 feet of tangle-free hose and are complete with a high pressure water swivel for maximum product delivery. The high pressure water swivel is designed to handle a broad range of pressures, temperatures and chemicals; perfect for agricultural/marine, equipment cleaning and pressure washing applications.

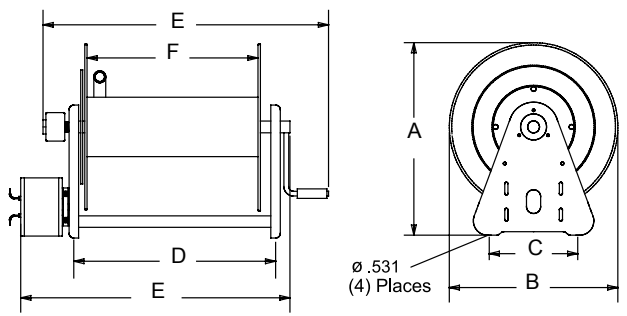
Applications

- Agriculture
- Marine
- Equipment cleaning
- Pressure washing

Made in USA 



Dimensions - 7000 & 80000				
	1		2	
	in	mm	in	mm
A	20 ¹ / ₄	514	25 ³ / ₈	645
B	19 ³ / ₄	502	24	610
C	7 ¹³ / ₁₆	198	10	254
D	3 ⁷ / ₈	98	6	152
E	7	178	10 ¹ / ₂	267
F	7	178	8 ¹ / ₈	206



Dimensions - Series H & 30000										
	3		4		5		6		7	
	in	mm	in	mm	in	mm	in	mm	in	mm
A	20 ¹ / ₈	413	20 ¹ / ₄	514	20 ¹ / ₄	514	20 ¹ / ₄	514	20 ¹ / ₄	514
B	17 ³ / ₄	425	17 ³ / ₄	425	17 ³ / ₄	425	17 ³ / ₄	425	17 ³ / ₄	425
C	10	254	9	229	9	229	9	229	9	229
D	6 ³ / ₈	162	9 ³ / ₄	248	15 ³ / ₄	400	9 ³ / ₄	248	15 ³ / ₄	400
E	13 ³ / ₄	349	19 ³ / ₄	502	25 ³ / ₄	654	17 ⁷ / ₈	454	23 ⁷ / ₈	606
F	5	127	6	152	12	305	6	152	12	305

	in	mm	in	mm	in	mm	Shipping Weight	Size Index #	
Hose I.D.	1/4	6	3/8	10	1/2	13			
Hose O.D.	.530	13	.730	19	.850	22			
Model without hose & bumper	Hose Length						lbs	kg	
	ft	m	ft	m	ft	m			
Spring Driven Pressure 5000 psi / 345 bar									
PW7600 OHP	---	---	50	15	---	---	43	20	1
PW7650 OHP*	---	---	50	15	---	---	60	27	1
PW81000 OHP	---	---	100	30	---	---	86	39	2
Hand Crank Pressure 5000 psi / 345 bar									
H18006 M	150	46	100	30	---	---	31	14	3
CA38106 M	200	61	140	43	100	30	41	19	4
CA38112 M	425	130	300	91	200	61	46	21	5
Electric Motor Driven Pressure 5000 psi / 345 bar									
EA38106 M12D	200	61	140	43	100	30	63	29	6
EA38112 M12D	425	130	300	91	200	61	71	32	7

Max temperature 212 °F (100 °C). *Hose included - 4800 psi (331 bar). PSI rating based upon 2.4 to 1 safety factor. Reference page 4 for guide arm positions.

"B" is overall length.

Available Options

Mounting Brackets
See page 47



Inlet Hose Assemblies
See page 49



Replacement Bumpers
See page 49



Call customer service for special hoses



Models listed with an icon can ship same day upon request when the order is received by 11:30 AM Eastern Time for quantities of 5 or fewer.

Indiana Warehouse

Indiana & California Warehouses

California Warehouse

Canadian Warehouse