

RACK & COOLING SOLUTIONS



SmartRack™

Premium Rack Enclosures, Wall-Mount Rack Enclosures, Open Frame Racks, Cooling Solutions & Accessories

Organize and protect rackmount servers, storage and network/telecom equipment quickly and conveniently.



Organize and protect rackmount servers, storage and network/telecom equipment

quickly and conveniently • Organize and protect rackmount servers, storage and

network/telecom equipment quickly and conveniently • Organize and protect

rackmount servers, storage and network/telecom equipment quickly and conveniently

• Organize and protect rackmount servers, storage and network/telecom equipment

quickly and conveniently • Organize and protect rackmount servers, storage and

network/telecom equipment quickly and conveniently • Organize and protect

rackmount servers, storage and network/telecom equipment quickly and conveniently

• Organize and protect rackmount servers, storage and network/telecom equipment

quickly and conveniently • Organize and protect rackmount servers, storage and

network/telecom equipment quickly and conveniently • Organize and protect

rackmount servers, storage and network/telecom equipment quickly and conveniently

• Organize and protect rackmount servers, storage and network/telecom equipment

quickly and conveniently • Organize and protect rackmount servers, storage and

network/telecom equipment quickly and conveniently • Organize and protect

rackmount servers, storage and network/telecom equipment quickly and conveniently

• Organize and protect rackmount servers, storage and network/telecom equipment

quickly and conveniently • Organize and protect rackmount servers, storage and



Application Diagram 2-3

Rack Enclosures 4-7

Wall-Mount Rack Enclosures 8-9
& Open Frame Racks

Open Frame Racks 10

Cooling Solutions 11-12

Air Conditioning 11-12

Heat Removal 11-12

Airflow Management 11-12

Rack Accessories 13-15

Cable Management 13

Shelves 14

Security & Monitoring 14

Mounting & Power 15

Power Distribution Units 16

network/telecom equipment quickly and conveniently • Organize and protect

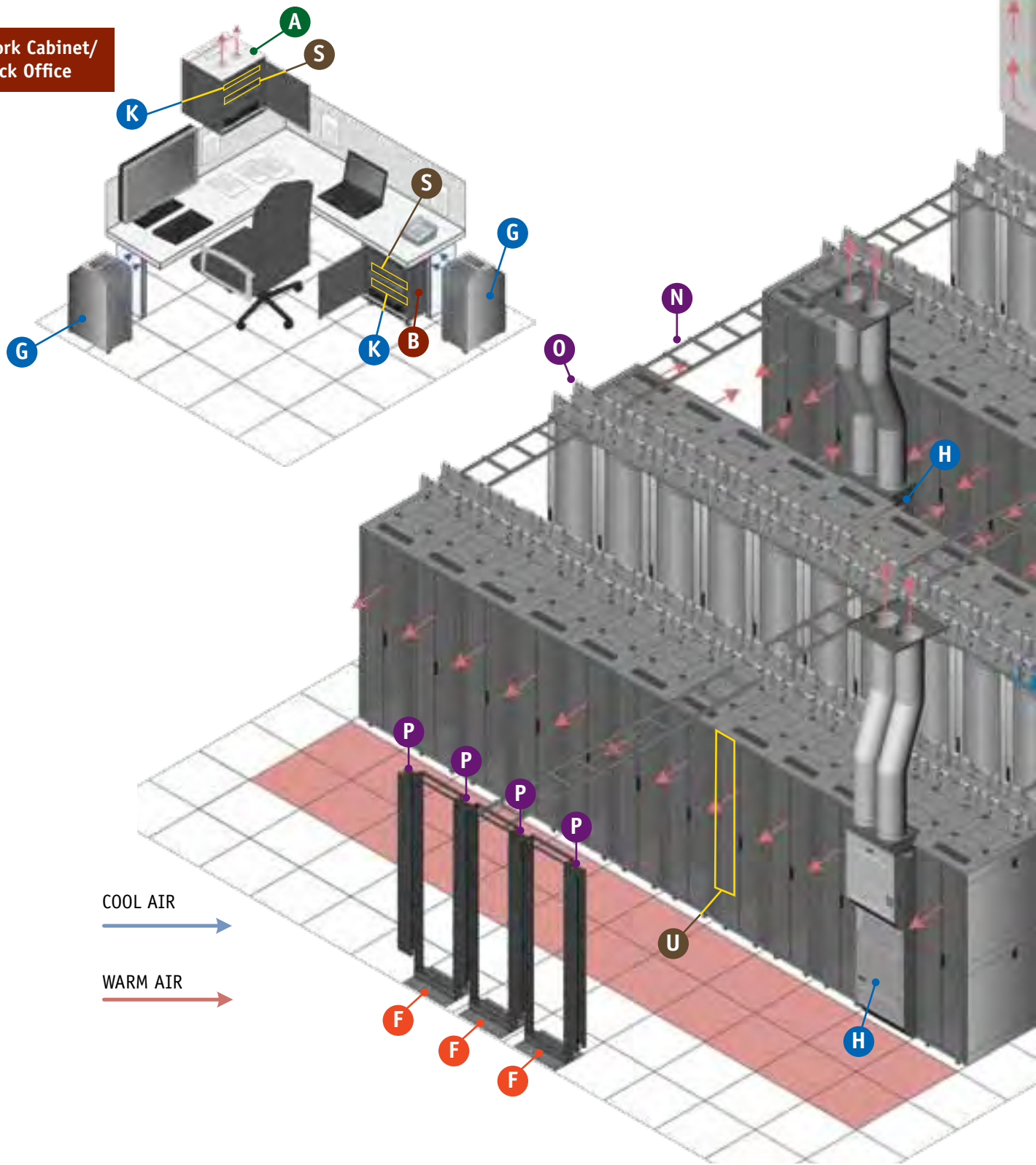
rackmount servers, storage and network/telecom equipment quickly and conveniently

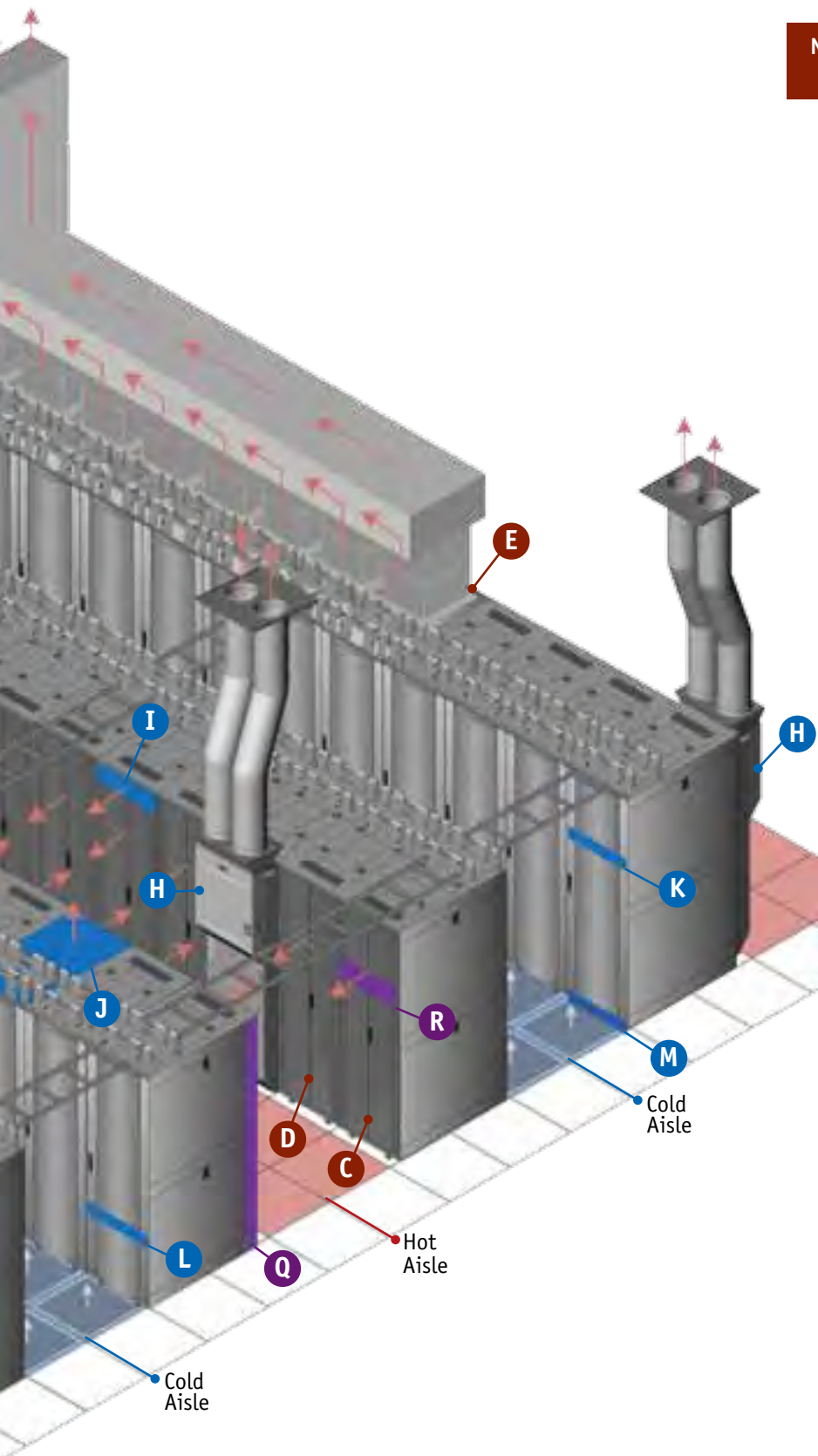
Tripp Lite Rack & Cooling Solutions

Integrated, vendor-neutral solutions designed for your application

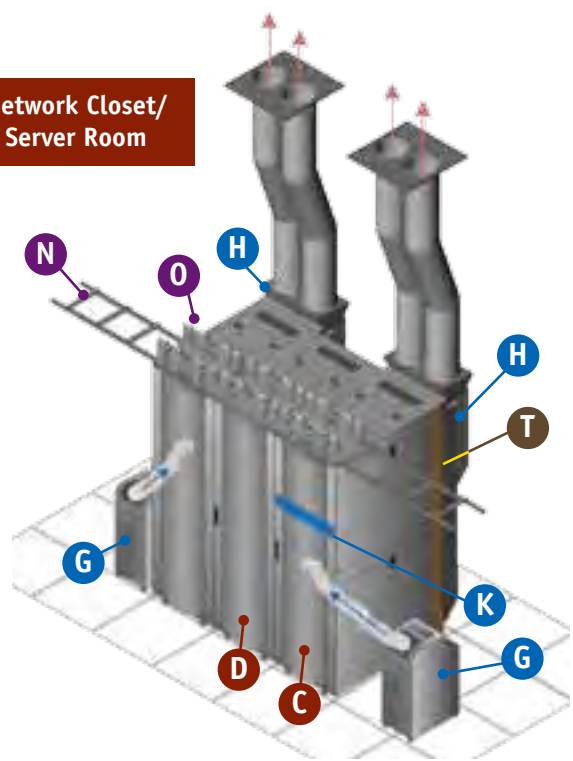
Data Center

Network Cabinet/
Back Office





**Network Closet/
Server Room**



- A** **SRW12US**
12U Wall-Mount Rack Enclosure (pp. 8-9)
- B** **SR12UB**
12U Compact Floor-Mount Rack Enclosure (p. 5)
- C** **SR42UB**
42U Rack Enclosure (pp. 4-7)
- D** **SR42UBEXP**
42U Expansion Rack Enclosure (pp. 4-7)
- E** **SR42UBTD**
42U Thermal Duct Rack Enclosure (pp. 4-7)
- F** **SR2POST**
45U 2-Post Open Frame Rack (p. 10)
- G** **SRCOOL12K**
12,000 BTU Compact Air Conditioning Unit (pp. 11-12)
- H** **SRFANDOOR**
Heat Removal Door (pp. 11-12)
- I** **SRFAN3U**
3U Heat Removal Panel (p. 12)
- J** **SRFANROOF**
Heat Removal Roof Panel (p. 12)
- K** **SR1UPANEL10 / SR1UPANEL50**
1U Blanking Panel Kit (p. 12)
- L** **SR1UBRUSH**
1U Cable Pass-Through Panel (p. 12)
- M** **SRSKIRT**
Rack Enclosure Skirt (p. 12)
- N** **SRCABLELADDER**
10 ft. Cable Ladder (p. 13)
- O** **SRCABLETRAY**
Roof-Mounted Cable Trough (p. 13)
- P** **SRCABLEVRT6 / SRCABLEVRT12**
High-Capacity Vertical Cable Manager (p. 13)
- Q** **SRCABLEDUCTVRT**
Duct-Type Vertical Cable Manager (p. 13)
- R** **SRCABLERING2U**
Ring-Type Horizontal Cable Manager (p. 13)
- S** **PDUMH20ATNET**
1U Switched PDU with Automatic Transfer Switch (p. 16)
- T** **PDUMV20HVNET**
0U (Vertical) Switched PDU (p. 16)
- U** **PDUMNV30HV**
0U (Vertical) Monitored PDU (p. 16)

Provide Extra Depth & Width

SmartRack Deep (SR42UBDP), Wide (SR42UBWD) and Deep & Wide (SR42UBDPWD) Rack Enclosures accommodate deeper servers, blade server chassis, large network switches and high-density installations while providing ample space for PDUs, cables and cable managers without obstructing airflow. Enclosures with extra width have side channels for accessory mounting, cable routing and airflow—ideal for network switches that have side-to-side airflow and forward-facing ports.



Deep & Wide Rack Enclosure

Support Colocation

SmartRack Colocation Enclosures (SR42UBCL and SR48UBCL) are divided into secure upper and lower compartments (20U or 23U each) with separate, lockable doors and side panels. Divided compartments allow you to maintain the physical security of installed equipment for multiple tenants within a single enclosure footprint, increasing installation flexibility and profit potential. They can also be used to divide equipment by security level or workgroup. (See **L** on pp. 6-7 for more information.)

Ship with Pre-Installed Equipment

SmartRack Shock Pallet Rack Enclosures (“SP1” and “SP2” models) ship with a special reinforced pallet and loading ramps, allowing you to pre-install equipment and reship the rack enclosure to the final installation site. The standard “SP1” pallet supports up to 1,250 lb during shipment, including the weight of the rack enclosure and all pre-installed equipment. The heavy-duty “SP2” pallet supports up to 2,000 lb during shipment. (See **M** on pp. 6-7 for more information.)

Install in Confined Spaces

Some of the most difficult installations involve older buildings that weren’t designed for IT equipment. Cramped rooms, low doorways, narrow halls and steep staircases all make transporting and installing rack enclosures difficult, if not impossible. Knockdown Enclosures (“KD” models) ship flat in several subassemblies, allowing convenient transport and quick reassembly. The detail work is already finished, so an experienced installer can assemble a Knockdown Enclosure in 45 minutes or less.

SmartRack Compact Rack Enclosures (SR12UB) are perfect for branch-office and back-office applications where space is limited. They store up to 12U of equipment in locations where larger enclosures won’t fit, including under desks, tables and counters.



Specifications



Model	SR12UB	SR25UB	SR25UBEXP	SR42UB	SR42UBEXP	SR42UBWD	SR42UBDP	SR42UBDPWD	SR48UB	SR48UBEXP
Rack Spaces	12U	25U	25U	42U	42U	42U	42U	42U	48U	48U
Side Panels	Yes (2)	Yes (2)	No	Yes (4)	No	Yes (4)	Yes (4)	Yes (4)	Yes (4)	No
Compliance	TIA/EIA-310-D, IEC 60297-3-100, DIN 41494, IP20 Protection Rating, RoHS, UL 60950									
Load Rating	250 lb	3,000 lb Stationary / 2,250 lb Rolling								
Mounting Depth	3 to 32.5 in.	4 to 37 in.		4 to 37 in. ⁽¹⁾		4 to 37 in.	4 to 42 in.		4 to 37 in. ⁽¹⁾	
Mounting Holes	Square (Mounting hardware included.)									
External Height	27 in.	49 in.		78.5 in.				89 in.		
External Width	23.63 in.	23.63 in.		23.63 in.	29.53 in.	23.63 in.	29.53 in.	23.63 in.		
External Depth	33.5 in.	43 in.		43 in. ⁽¹⁾		43 in.	47.25 in.	47.25 in.	43 in. ⁽¹⁾	
Unit Weight	105 lb	195 lb	149 lb	281 lb	203 lb	340 lb	315 lb	345 lb	309 lb	211 lb
Special Application Enclosures⁽²⁾										
Colocation	—	—	—	SR42UBCL	—	—	—	—	SR48UBCL	—
Knockdown	—	SR25UBKD	SR25UBEXPKD	SR42UBKD	SR42UBEXPKD	—	—	—	SR48UBKD	SR48UBEXPKD
Shock Pallet	—	SR25UBSP1	SR25UBEXPSP1	SR42UBSP1	SR42UBEXPSP1	—	—	—	SR48UBSP1	SR48UBEXPSP1
H.D. Shock Pallet	—	SR25UBSP2	SR25UBEXPSP2	SR42UBSP2	SR42UBEXPSP2	—	—	—	SR48UBSP2	SR48UBEXPSP2
Thermal Duct	—	—	—	SR42UBTD	—	SR42UBWDTD	—	—	SR48UBTD	—

(1) Optional SREXTENDER accessory increases maximum mounting depth and external depth by 8 in. See p. 15 for more information. (2) Special Application Enclosures are similar to models listed at the top of the column, with the following differences: **Colocation Enclosures** are divided into two compartments (upper and lower) with separate, lockable doors. **Knockdown Enclosures** ship disassembled into several sections for easy transport and assembly in confined spaces. **Shock Pallet Enclosures** include a reinforced shipping pallet and loading ramps, allowing pre-installation of equipment and reshipment to the final destination. The pallet supports up to 1,250 lb during shipment, including the combined weight of the enclosure and pre-installed equipment. **Heavy-Duty Shock Pallet Enclosures** increase the shipping pallet capacity to 2,000 lb. **Thermal Duct Enclosures** include an overhead duct that routes warm exhaust air to your facility’s air conditioning return stream, providing superior heat removal and thermal isolation. The adjustable duct increases unit height by 20.5 to 34.5 in. and increases unit weight by 65 lb.

Feature Focus

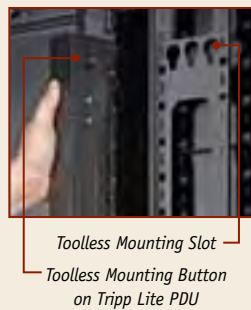
A Adjustable Mounting Rails (4) with Easy-View Depth Index

Front and rear sets of vertical rails adjust in quarter-inch increments. Adjustment is quick and convenient—simply unscrew the rails, slide them to the required depth and refasten. The easy-view depth index ensures consistent rail placement without requiring time-consuming measurements. Square mounting holes and included hardware support standard 19-inch rack installation.



B Toolless Mounting Rails (2) with Easy-View Depth Index

Adjustable rails include toolless mounting slots for quick installation of compatible PDUs and cable managers. The easy-view depth index ensures consistent rail placement without requiring time-consuming measurements. Mounting slots are arranged in a standard pattern compatible with a wide variety of accessories. Each rail can mount two vertical PDUs or cable managers side-by-side (four per enclosure).



C Roof Panel (Removable)

Spring-loaded pins allow the roof panel to be removed and replaced in seconds. The roof includes cable access channels and mounting slots for external cable managers.



D Front Door (Lockable/Removable/Reversible)

The door is perforated for optimal airflow, exceeding server manufacturer requirements. The door handle is reversible to preserve standard orientation if the door is reversed.



E Split Rear Doors (Lockable/Removable)

Split rear doors reduce clearance requirements for service access. The doors are perforated for optimal airflow, which exceeds server manufacturer requirements.



F Modular Side Panels (Lockable/Removable)

Modular side panels are smaller and lighter than full-length side panels, enabling easier installation and service access. Most 42U and 48U models include four side panels; most 25U models include two. ("EXP" models do not include side panels.)



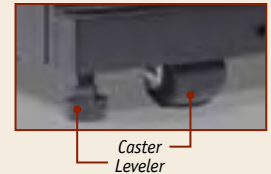
G Baying Tabs (2)

Baying tabs allow Rack Enclosures to be combined securely in rows. The center-to-center width of standard-width models can be set at 600 mm or 24 inches to match standard data center floor tiles.



H Heavy-Duty Casters (4) & Levelers (4)

Casters support a rolling load up to 2,250 lb, allowing enclosures to be pre-configured and rolled to the final installation location. Levelers support a stationary load up to 3,000 lb and adjust to improve enclosure stability. Casters and levelers are removable.



I Convenient Grounding System

All components are grounded to the enclosure frame, which includes multiple connections for facility ground. Front and rear doors include quick-release ground wires for convenient configuration.



J Stabilizing Brackets (2)

You can attach the included stabilizing brackets at the bottom of the enclosure frame (inside or outside) to improve stability. The optional SRBOLTDOWN kit allows you to bolt the brackets to the floor. For maximum stability, add the optional SRSTABILIZE Anti-Tip Stabilizing Plate Kit. (See p. 15 for more information.)



K Thermal Duct Enclosures

Thermal Duct Enclosures (SR42UBTD, SR42UBWDTD and SR48UBTD) include an adjustable overhead duct that routes warm exhaust air to your facility's HVAC return air stream, providing superior thermal isolation and cooling efficiency for hot-aisle/cold-aisle data center configurations. Natural convection removes heat and keeps equipment cool without using electricity or generating additional heat.

L Colocation Enclosures

Colocation Enclosures (SR42UBCL and SR48UBCL) are divided into two compartments (upper and lower) with separate, lockable doors. This allows you to maintain the physical security of installed equipment for multiple colocation tenants.

M Shock Pallet Enclosures

Shock Pallet Enclosures ("SP1" and "SP2" models) include a reinforced shipping pallet and loading ramps, allowing equipment pre-installation and reshipment. The "SP1" pallet supports up to 1,250 lb during shipment, including the weight of the enclosure and pre-installed equipment. The heavy-duty "SP2" pallet supports up to 2,000 lb.



SR42UB



SR42UBTD



SR42UBCL



SR42UBSP1

SmartRack Wall-Mount Rack Enclosures & Open Frame Racks



- ▶ Enclosures from 6U to 26U
- ▶ Locking doors and side panels
- ▶ Adjustable mounting rails
- ▶ Hinged wall bracket for easy access to equipment and cabling (most models)
- ▶ Perforated door, top, bottom and sides for superior ventilation
- ▶ Optional heavy-duty rolling casters
- ▶ Deep Enclosure for standard 1U servers
- ▶ Open Frame Racks from 2U to 22U also available

Secure Equipment in Minimal Space

SmartRack Wall-Mount Rack Enclosures are perfect for housing IT equipment in rooms with limited floor space. Adjustable vertical mounting rails with square holes accommodate all standard 19-inch rack equipment. Sturdy steel frames are rated up to 250 lb. Perforated front door, top, bottom and side panels permit generous airflow to keep equipment operating safely. Front door, side panels and hinged wall bracket lock to secure equipment in general-access areas.

Provide Convenient Access

Most Enclosures include a sturdy hinge between the cabinet and the wall bracket, allowing the cabinet to swing away from the wall for easy access to equipment and cabling.* Top and bottom panels include channels for cable routing. The front door and side panels are removable.



Wall-Mount Enclosure with Hinged Wall Bracket

The innovative Pivoting Wall-Mount Open Frame Rack (SRW012US) allows you to rotate the equipment mounting frame left or right for convenient service access. You can lock the frame in the closed position during normal operation or lock it open while you're configuring or maintaining equipment. *SRW6U does not have a hinged wall bracket.

Adapt to Diverse Applications

Wall-Mount Rack Enclosures are available in a variety of sizes from 6U to 26U. The optional Rolling Caster Kit (SRCASTER) adapts Enclosures to floor-standing applications, allowing them to roll under desks, tables or counters.



Wall-Mount Enclosure with Rolling Casters

Accommodate Standard 1U Servers

The Deep Wall-Mount Rack Enclosure (SRW12US33) provides extra mounting depth for deeper equipment cabinets. It's sized to fit standard 1U servers with ample room for cable management and unobstructed airflow.



Deep Wall-Mount Rack Enclosure

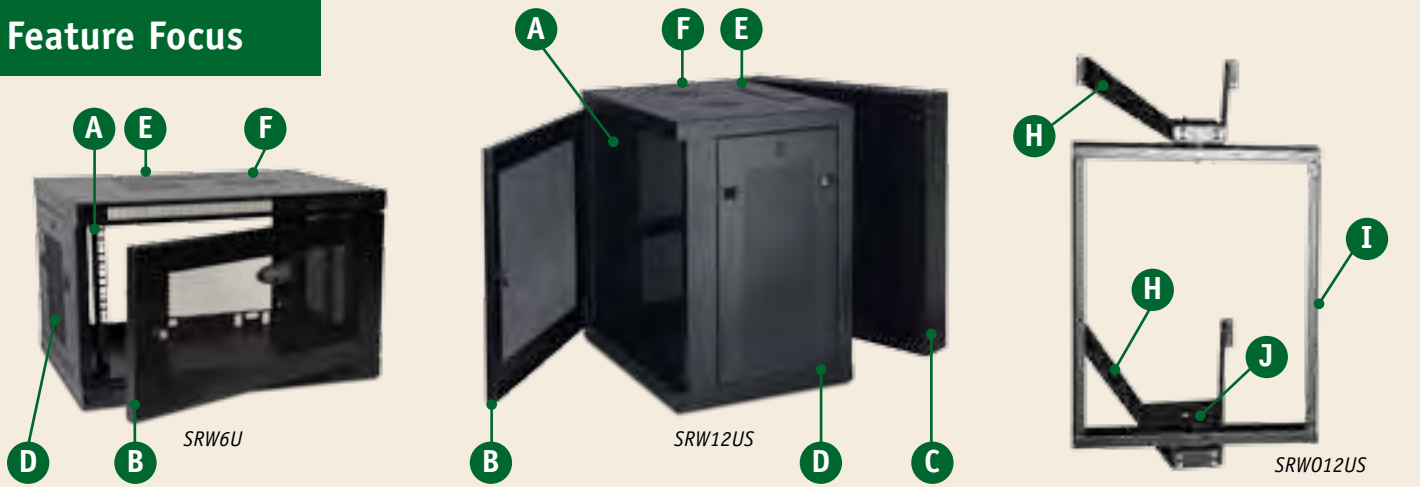
Organize Equipment Economically

Wall-Mount Open Frame Racks provide compact and economical equipment organization for 2-post rack applications. Sturdy steel frames are rated up to 150 lb. Model SRW08U22 adjusts to provide 8U, 12U or 22U of rack space. Model SRW012US includes a rotatable mounting frame for easy access to equipment and cabling.

SmartRack Enclosures accommodate all standard 19-inch rack equipment, regardless of vendor.



Feature Focus



A Adjustable Mounting Rails (4)

Front and rear pairs of vertical rails adjust in one-inch increments.

B Secure Front Door

The door is perforated for ample airflow and locks for secure access. You can reverse the door swing by rotating the unit 180° before installation.

C Hinged Wall Bracket

The wall bracket includes a sturdy hinge that allows the cabinet to swing away from the wall for convenient rear access to equipment and cabling. You can reverse the swing direction by rotating the unit 180° before installation. The wall bracket locks for secure access.

D Perforated Side Panels (2)

Two removable side panels ease installation and service access. The side panels are perforated for ample airflow and lock for secure access.

E Cable Ports (2 or 4)

Ports allow cable routing through the top and bottom of the cabinet or hinged wall bracket (if present). Removable covers block unused ports.

F Top/Bottom Vents (4)

Vents at the top and bottom help remove warm air and draw in cool air. Mounting holes accommodate user-supplied fans for increased airflow.

G Heavy-Duty Rolling Casters (Optional)

An optional Rolling Caster Kit (SRCASTER) adapts Wall-Mount Rack Enclosures to mobile and floor-standing applications, including installation under a desk, table or counter.



H Wall Brackets

The sturdy A-frame wall brackets allow the mounting frame to pivot.

I Rotating Equipment Mounting Frame

You can rotate the mounting frame left or right for easy access to equipment and cabling. Threaded holes support standard 2-post mounting.

J Locking, Adjustable Pivot

Unlock the pivot to rotate the mounting frame, lock it in the standard position or lock it open 90° (left or right) for service access.

Grounding (Not Shown)

Parts are grounded to the frame, which connects to facility ground.

Specifications



Model	Wall-Mount Rack Enclosures (4-Post Mounting)							Wall-Mount Open Frame Racks (2-Post Mounting)			
	SRW6U	SRW10US	SRW12US	SRW12USG	SRW12US33	SRW18US	SRW26US	N060-002	N060-004	SRW08U22	SRW012US
Rack Spaces	6U	10U	12U	12U	12U	18U	26U	2U	4U	8U, 12U or 22U	12U
Front Door	Metal	Metal	Metal	Plexiglas®	Metal	Metal	Metal	None	None	None	None
Hinged Wall Bracket	No	Yes (Standard)	Yes (Standard)	Yes (Standard)	Yes (Heavy-Duty)	Yes (Heavy-Duty)	Yes (Heavy-Duty)	Front Hinge	Front Hinge	No	Pivoting Frame
Standards	TIA/EIA-310-D, IEC 60297-3-100, DIN 41494, IP20 Protection Rating, RoHS, UL 60950							TIA/EIA-310-D, IEC 60297-3-100, DIN 41494, RoHS, UL 60950			
Load Rating*	200 lb	200 lb	200 lb	200 lb	250 lb	250 lb	250 lb	17 lb	35 lb	150 lb	150 lb
Mounting Depth	3 to 16.5 in.	3 to 20.5 in.	3 to 20.5 in.	3 to 20.5 in.	3 to 32.5 in.	3 to 20.5 in.	3 to 20.5 in.	5.5 in.	5.5 in.	18 in.	18 in.
Mounting Holes	Square (Mounting hardware included.)							Round (Mounting hardware included.)			
Height	14.5 in.	21.5 in.	24.75 in.	25 in.	25 in.	35.75 in.	49.75 in.	3.5 in.	7 in.	18 to 42.5 in.	30.5 in.
Width	23.63 in.	23.63 in.	23.63 in.	23.63 in.	23.63 in.	23.63 in.	23.63 in.	19 in.	19 in.	20 in.	19.75 in.
Depth	17.5 in.	21.6 in.	21.6 in.	21.6 in.	33.5 in.	21.6 in.	21.6 in.	6 in.	6 in.	18.25 in.	20.5 in.
Weight	29 lb	55 lb	60 lb	60 lb	100 lb	96 lb	125 lb	2.5 lb	5 lb	10 to 14 lb	15 lb

* Requires a stable mounting surface capable of bearing the full weight of the unit and installed equipment. Rolling applications require the optional SRCASTER accessory (not compatible with Wall-Mount Open Frame Racks).

SmartRack Open Frame Racks



- ▶ 25U and 45U 2-post racks
- ▶ 13U, 25U, 42U and 45U 4-post racks
- ▶ Toolless mounting slots for PDUs and vertical cable managers
- ▶ Easy assembly and self-squaring design
- ▶ Load rating up to 3,000 lb

Organize Equipment Economically

Open frame racks provide economical organization for servers and network/telecom equipment. Sturdy aluminum (2-post) or steel (4-post) frames are rated up to 3,000 lb. Compact sections facilitate assembly in confined spaces, such as network/wiring closets and IDFs (intermediate distribution frames). Toolless mounting slots make installation of PDUs and cable managers quick and convenient.



Toolless Mounting Slot

Specifications



Model	SR2POST	SR2POST25	SR42UBEXPND	SR4POST	SR4POST25	SR4POST13
Form Factor	2-Post Rack	2-Post Rack	Heavy-Duty 4-Post Rack	4-Post Rack	4-Post Rack	4-Post Rack
Rack Spaces	45U	25U	42U	45U	25U	13U
Standards Compliance	TIA/EIA-310-D, IEC 60297-3-100, DIN 41494, RoHS ⁽¹⁾					
Load Rating	800 lb (Stationary)		3,000 lb Stationary / 2,250 lb Rolling	1,000 lb Stationary / 1,000 lb Rolling (Requires optional SRCASTER kit.)		
Mounting Holes	Round/Threaded (Mounting hardware included.)			Square (Mounting hardware included.)		
Unit Height	84 in.	49 in.	78.5 in.	84 in.	49 in.	28 in.
Unit Width	20.3 in.		23.63 in.	20.3 in.		
Unit Depth	4.8 in. (13.5 in. with base.)		43 in. ⁽²⁾	34.6 to 46.1 in. (Includes base.) ⁽³⁾		
Unit Weight	29 lb	23 lb	142 lb	58 lb	47 lb	43 lb

(1) SR42UBEXPND also complies with UL 60950. (2) Mounting depth is adjustable from 4 to 37 in. (3) Mounting depth is adjustable from 24 to 35.6 in.

SmartRack Enclosures accommodate all standard 19-inch rack equipment, regardless of vendor.



SmartRack Cooling Solutions



Cool Critical Systems

High-density Rack Enclosures generate lots of heat, requiring special measures to keep your critical servers, storage and network/telecom equipment operating reliably. SmartRack Cooling Solutions encompass several types of cooling that you can combine and customize to fit your application. The first type of cooling is **airflow management**, which prevents heat from recirculating and building up inside your Rack Enclosure. The second type of cooling is **heat removal**, which isolates heat and eliminates it from your Rack Enclosure and the room. The third type of cooling is supplemental **air conditioning**, which focuses cold air wherever additional cooling capacity is required. All SmartRack Cooling Solutions support **hot-aisle/cold-aisle** data center configurations. By leveraging best practices to increase HVAC efficiency, SmartRack Cooling Solutions also reduce your data center's total cost of ownership.

Airflow Management

SmartRack Enclosures are designed for front-to-rear airflow. Cool air flows through the perforated front door and cools your equipment, which exhausts warm air through the perforated rear doors. Airflow Management prevents warm air from recirculating and contaminating cool air. The first step is installing the Enclosure's side panels. The panels aren't vented because sealed sides promote front-to-rear airflow. Block empty rack spaces with Blanking Panels (SR1UPANEL10 or SR1UPANEL50) to prevent heat recirculation. Install the Airflow Optimization Kit (SRGASKET) to seal interior gaps. Cable management is also important: SmartRack Cable Managers (see p. 13) prevent tangled cables from obstructing airflow.

- ▶ Manage airflow to prevent heat from recirculating and building up inside enclosures
- ▶ Remove heat from enclosures and rooms
- ▶ Focus supplemental air conditioning on overheated enclosures or specific hot spots inside enclosures
- ▶ Provide supplemental air conditioning for rooms without access to facility HVAC
- ▶ Support hot-aisle/cold-aisle configurations for superior data center cooling efficiency

Heat Removal

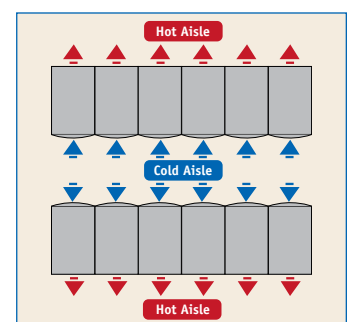
As equipment density and ambient temperature increase, Heat Removal Solutions keep equipment operating reliably. Thermal Duct Rack Enclosures (SR42UBTD, SR42UBWDTD and SR48UBTD) use adjustable overhead ducts to route warm exhaust air to your facility's HVAC return air stream, providing superior efficiency and thermal isolation. The Heat Removal Door (SRFAND00R) replaces the perforated rear doors of SmartRack Enclosures with a sealed door equipped with four high-performance centrifugal fans. The fans supercharge airflow and direct warm air to overhead ducts that connect to a drop ceiling or HVAC return air stream.

Air Conditioning

The portable, maintenance-free 12,000 BTU Compact Air Conditioning Unit (SRCOOL12K) focuses cold air wherever you need additional cooling capacity, whether it's a network closet without access to facility HVAC, an overheated rack enclosure or a specific hot spot inside an enclosure. Because condensate is re-evaporated for drip-free operation, you won't waste time emptying water collection tanks.

Hot-Aisle/Cold-Aisle Support

SmartRack Cooling Solutions fully support hot-aisle/cold-aisle configurations, essential for cost-effective data center cooling. A hot-aisle/cold-aisle configuration increases cooling efficiency and lowers total cost of ownership, reducing energy consumption by up to 20%.*



SmartRack Cooling Solutions Support Hot-Aisle/Cold-Aisle Configurations

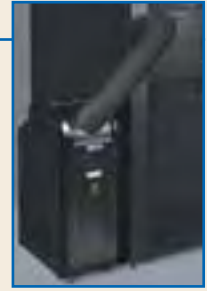
*Source: TCI Data Centers.

COOLING SOLUTIONS

AIR CONDITIONING

Compact Air Conditioning Units

Powerful 12,000 BTU Compact Air Conditioning Units offer plug-and-play setup and maintenance-free operation. They can cool rooms that don't have access to facility HVAC, provide supplemental cooling for individual rack enclosures or focus cool air on equipment hot spots. Condensate is re-evaporated for drip-free operation, so you won't waste time emptying water collection tanks. Eco-friendly R410a refrigerant meets worldwide environmental standards.



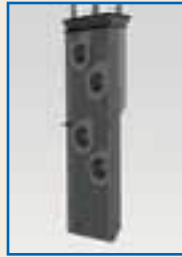
Specifications

Model	Description
SRCOOL12K	12,000 BTU, 120V, 60Hz Compact Air Conditioning Unit (Maintenance-free; includes installation kit and interchangeable inserts for louvered or duct-connected output.)
SRXCOOL12K	12,000 BTU, 230V, 50Hz Compact Air Conditioning Unit (Maintenance-free; includes installation kit and interchangeable inserts for louvered or duct-connected output.)

HEAT REMOVAL

Heat Removal Door

SRFANDOOR connects to a standard-width 42U or 48U SmartRack Enclosure in place of the rear doors. Four high-performance centrifugal fans supercharge front-to-rear airflow to remove heat through overhead ducts, which connect to a drop ceiling or your facility's HVAC return air stream. Digital thermometers display intake and exhaust temperature.



Thermal Duct Rack Enclosures

SR42UBTD, SR42UBWDTD and SR48UBTD include adjustable overhead ducts that route heat to your facility's HVAC return air stream, providing superior thermal isolation and cooling efficiency without using electricity or generating heat.



3U Heat Removal Panels

SRFAN3U and SRXFAN3U remove warm air with three powerful fans.



Heat Removal Roof Panels

SRFANROOF and SRXFANROOF remove warm air with six powerful fans.



Specifications

Model	Description	Compatibility			
		2-Post Open Frame Racks	4-Post Open Frame Racks	Wall-Mount Enclosures	12/25/42/48U Enclosures
SR42UBTD	42U Thermal Duct Rack Enclosure (Overhead duct provides superior heat removal and thermal isolation.)				42U
SR42UBWDTD	42U Wide Thermal Duct Rack Enclosure (Overhead duct provides superior heat removal and thermal isolation.)				42U
SR48UBTD	48U Thermal Duct Rack Enclosure (Overhead duct provides superior heat removal and thermal isolation.)				48U
SRFAN3U	3U Heat Removal Panel – 120V (3 fans; up to 210 CFM; 5-15P plug.)	✓	✓	✓	✓
SRXFAN3U	3U Heat Removal Panel – 230V (3 fans; up to 210 CFM; C14 inlet.)	✓	✓	✓	✓
SRFANDOOR	Heat Removal Door (208-240V; up to 3,400 CFM. Includes 4 centrifugal fans, thermometers and duct kit.)				42/48U
SRFANROOF	Heat Removal Roof Panel, 120V (6 fans; up to 420 CFM; 5-15P plug; toolless mounting.)				25/42/48U
SRXFANROOF	Heat Removal Roof Panel, 230V (6 fans; up to 420 CFM; C14 inlet; toolless mounting.)				25/42/48U

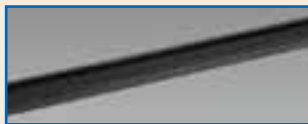
AIRFLOW MANAGEMENT

1U Blanking Panel Kits



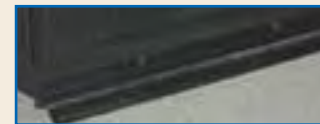
Blanking panels snap into empty rack spaces, preventing recirculation of warm air.

1U Cable Pass-Through Panel



SR1UBRUSH includes a dense brush strip that prevents recirculation of warm air.

Rack Enclosure Skirt



SRSKIRT prevents recirculation of warm air through the bottom of the enclosure.

Specifications

Model	Description	Compatibility			
		2-Post Open Frame Racks	4-Post Open Frame Racks	Wall-Mount Enclosures	12/25/42/48U Enclosures
SR1UBRUSH	1U Cable Pass-Through Panel (Brush strip prevents recirculation of warm air.)	✓	✓	✓	✓
SR1UPANEL10	1U Blanking Panel Kit (10 pieces; toolless snap-in mounting.)		✓	✓	✓
SR1UPANEL50	1U Blanking Panel Kit (50 pieces; toolless snap-in mounting.)		✓	✓	✓
SRGASKET	Airflow Optimization Kit (Gasket prevents recirculation of warm air through enclosure side gaps.)				25/42/48U
SRSKIRT	Rack Enclosure Skirt Kit (Brush strip prevents recirculation of warm air at bottom of enclosure.)				25/42/48U

SHELVES

A variety of durable and sturdy Rack Shelves are available, including fixed and sliding shelves with capacities up to 250 lb. Cantilever shelves support 2-post mounting.



SRSHELF4PHD



SRSHELF2P



SRSHELF4PSL / SRSHELF4PSLHD

Specifications

Model	Description	Compatibility			
		2-Post Open Frame Racks	4-Post Open Frame Racks	Wall-Mount Enclosures	25/42/48U Enclosures
SRSHELF2P	2U Cantilever Fixed Shelf (60 lb capacity; 18 in. depth.)	✓	✓		✓
SRSHELF2P1U	1U Cantilever Fixed Shelf (50 lb capacity; 12 in. depth.)	✓	✓	✓	✓
SRSHELF4PHD	Heavy-Duty Fixed Shelf (250 lb capacity; 26 in. depth.)		✓		✓
SRSHELF4PKYBD	Keyboard Shelf (25 lb capacity; 16 in. depth.)		✓		✓
SRSHELF4PSL	Standard Sliding Shelf (50 lb capacity; 26 in. depth.)		✓		✓
SRSHELF4PSLHD	Heavy-Duty Sliding Shelf (100 lb capacity; 26 in. depth.)		✓		✓

SECURITY & MONITORING

Combination Lock Door Handle Kit

The Combination Lock Door Handle Kit (SRCOMBO) includes two replacement handles for the front and rear doors of SmartRack Enclosures. The three-digit combination lock can be bypassed with the included key, ensuring that administrators always have access.



SRCOMBO

Door Switch Kit and Environmental Sensor Module

The Door Switch Kit (SRSWITCH) includes two magnetic entry detection switches for the front and rear doors of SmartRack Enclosures. The switches require connection to ENVIROSENSE, which must be connected to SNMPWEBCARD or a Tripp Lite Monitored or Switched PDU.



SRSWITCH



ENVIROSENSE



SNMPWEBCARD

Specifications

Model	Description	Compatibility			
		2-Post Open Frame Racks	4-Post Open Frame Racks	Wall-Mount Enclosures	12/25/42/48U Enclosures
ENVIROSENSE	Environmental sensor connects to SNMPWEBCARD or Tripp Lite Monitored/Switched PDU for remote monitoring of temperature and humidity. Also monitors and controls devices that support contact closure communications. Can monitor up to 3 additional sensors.	✓	✓	✓	✓
RELAYIOCARD	Adds programmable contact closure interface to compatible UPS systems. (6 outputs and 1 input.)	✓	✓	✓	✓
SNMPWEBCARD	Adds network interface to UPS systems for remote monitoring and control via SNMP, Web or telnet.	✓	✓	✓	✓
SRCOMBO	Combination Lock Door Handle Kit (Includes 2 handles with bypass key for front and rear doors.)				25/42/48U
SRSWITCH	Magnetic Door Switch Kit (2-pack for front and rear doors. Requires ENVIROSENSE.)			✓	✓
B020-008-17	1U Rack Console KVM with 17 in. LCD and 8-Port KVM (PS/2 or USB. Requires cable kits.)	Add B019-000	✓	SRW12US33	✓
B020-008-17-IP	1U Rack Console KVM with 17 in. LCD, 8-Port KVM and IP Access (PS/2 or USB. Requires cable kits.)	Add B019-000	✓	SRW12US33	✓
B020-U08-19-K	1U Rack Console KVM with 19 in. LCD and 8-Port KVM (PS/2 or USB. Includes 8 cable kits.)	Add B019-000	✓	SRW12US33	✓
B020-016-17	1U Rack Console KVM with 17 in. LCD and 16-Port KVM (PS/2 or USB. Requires cable kits.)	Add B019-000	✓	SRW12US33	✓
B020-016-17-IP	1U Rack Console KVM with 17 in. LCD, 16-Port KVM and IP Access (PS/2 or USB. Requires cable kits.)	Add B019-000	✓	SRW12US33	✓
B020-U16-19-K	1U Rack Console KVM with 19 in. LCD and 16-Port KVM (PS/2 or USB. Includes 8 cable kits.)	Add B019-000	✓	SRW12US33	✓
B021-000-17	1U Rack Console with 17 in. LCD (PS/2 or USB. Includes PS/2 cable kit.)	Add B019-000	✓	SRW12US33	✓
B021-000-19	1U Rack Console with 19 in. LCD (PS/2 or USB. Includes cable kits.)	Add B019-000	✓	SRW12US33	✓

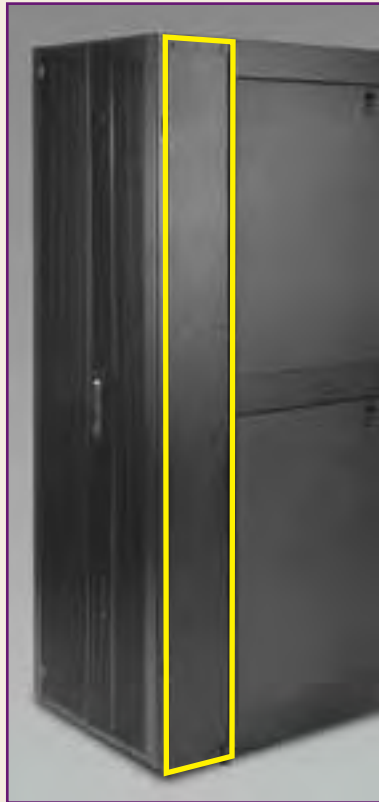
Go to www.tripplite.com for more information about Tripp Lite's full line of KVM Switches and IP Console Servers, including an interactive selector guide.

SmartRack Enclosures accommodate all standard 19-inch rack equipment, regardless of vendor.

MOUNTING & POWER

Rack Enclosure Extension Frame

Applications like colocation and server farms often experience rapid growth, requiring you to install deeper server chassis that pack more processing power into each rack. Tripp Lite's Rack Enclosure Extension Frame (SREXTENDER) increases mounting depth by 8 inches without requiring you to replace your rack enclosures or reinstall your equipment. Standard-width 42U and 48U SmartRack Enclosures can be retrofitted at any time, allowing them to grow as your needs grow.



SREXTENDER retrofits 42U and 48U SmartRack Enclosures to increase mounting depth by 8 inches.

Anti-Tip Stabilizing Plate Kit

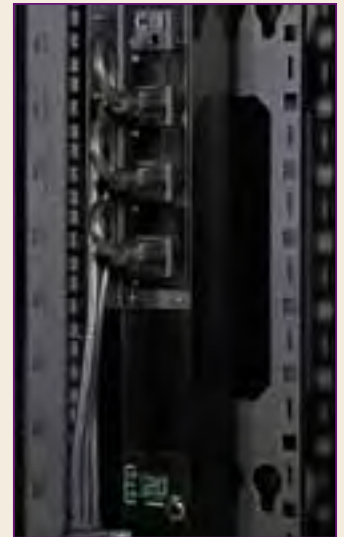
The Anti-Tip Stabilizing Plate Kit (SRSTABILIZE) provides an extra measure of stability for stand-alone enclosures. The kit includes front and rear stabilizing plates. Add the Bolt-Down Kit (SRBOLTDOWN) to secure the stabilizing plates to the facility floor.



SRSTABILIZE

Power Distribution Units (PDUs)

Tripp Lite's Network-Grade PDUs distribute power from a UPS system, generator or wall outlet to multiple devices. Tripp Lite makes PDUs with features to match any application. Vertical models include toolless mounting buttons for convenient OU installation in SmartRack Enclosures and Open Frame Racks. Select models have digital load meters and a network interface that supports remote monitoring and control via SNMP, Web or telnet. (See p. 16 for more information.)



Toolless installation of a Tripp Lite PDU— simply insert the mounting buttons into the mounting slots and slide downward.

Specifications

Model	Description	Compatibility			
		2-Post Open Frame Racks	4-Post Open Frame Racks	Wall-Mount Enclosures	12/25/42/48U Enclosures
2POSTRMKITHD	Heavy-Duty 2-Post Mounting Kit (For 3U and 4U UPS systems, battery packs and transformers.)	✓			
2POSTRMKITWM	2-Post Mounting Kit (For 2U UPS systems, battery packs and transformers.)	✓			
4POSTRAILKIT	4-Post Rack Rail Kit (Adjustable depth; supports rack equipment cabinets up to 250 lb.)		✓	✓	✓
B019-000	2-Post Console Mounting Kit (For B020-, B021-, B040- and B070-Series Rack Consoles and Console KVMs.)	✓			
SRBOLTDOWN	Bolt-Down Kit (Secures included stabilizing brackets or optional stabilizing plates to facility floor.)	✓	✓		✓
SRCAGENUTS	Square-Hole Hardware Kit (Includes 50 cage nuts, screws and washers.)		✓	✓	✓
SRCASTER	Rolling Caster Kit (4 heavy-duty casters. Included with 12/25/42/48U enclosures and SR42UBEXPND.)		✓	✓	✓
SREXTENDER	Rack Enclosure Extension Frame (Increases depth of 42/48U standard-width enclosures by 8 in.)				42/48U
SRGROUND	OU Grounding Kit (75.5 in. copper bus bar. Includes grounding lug to connect to facility ground and 21 grounding wires to connect to equipment. Supports toolless vertical mounting.)	45U	42/45U		42/48U
SRSCREWS	Threaded-Hole Hardware Kit (Includes 50 #12-24 screws and washers.)	✓			
SRSTABILIZE	Anti-Tip Stabilizing Plate Kit (Increases stability for stand-alone enclosures.)		SR42UBEXPND		✓
SUDC208V42P	42-Pole Power Distribution Center (Breaker panel in 42U enclosure. 3-phase (208V) input. Single-phase (120V or 208V) and/or 3-phase (208V) output. Requires output breakers and cord sets, sold separately.)	✓	✓	✓	✓
UPSHDEARKIT	Heavy-Duty Mounting Ears (Support 2U cabinets up to 65 lb from two vertical rails without rear support.)	✓	✓	✓	✓

See p. 16 for more information about Tripp Lite PDUs. Go to www.tripplite.com for more information about Tripp Lite's full line of UPS Systems, including an interactive UPS selector guide.

SmartRack Enclosures accommodate all standard 19-inch rack equipment, regardless of vendor.



Network-Grade Rack PDUs



- ▶ Multi-outlet power distribution from UPS system, generator or wall outlet
- ▶ Single-phase or 3-phase input
- ▶ Digital load meters, network interface and automatic transfer switch available
- ▶ Flexible mounting options, including toolless mounting

Provide Flexible Mounting Options

Vertical Tripp Lite PDUs include toolless mounting buttons for quick and easy OU installation in SmartRack Enclosures and Open Frame Racks. Simply insert the toolless mounting buttons into the toolless mounting slots and slide downward to lock into place. All PDUs include standard mounting brackets that support rack installation and surface mounting (walls, counters, desktops, ceilings and more).

Avoid Overloads

Included with Metered, Monitored and Switched PDUs, digital load meters display current usage in real time, allowing you to connect more equipment safely without overloading the PDU.



Manage Power Remotely

Monitored and Switched PDUs include a network interface that enables remote load monitoring, remote condition reporting and centralized management via SNMP, Web or telnet. Switched PDUs also provide remote outlet control, reducing service calls by rebooting unresponsive devices remotely and increasing runtime during power failures by shedding nonessential loads.

Provide Redundant Power

Select Metered and Switched PDUs include dual AC inputs and an automatic transfer switch (ATS), providing redundant power to single-cord devices. If the primary power source fails or is taken off-line, the PDU automatically switches to the secondary power source.



PDU Comparison Chart

Feature	Basic PDUs	Metered PDUs	Monitored PDUs	Switched PDUs
Multiple Outlets (PDUs include up to 40 outlets.)	Yes	Yes	Yes	Yes
Toolless Mounting Buttons (Support industry-standard mounting slots.)	Vertical Models	Vertical Models	Vertical Models	Vertical Models
Automatic Transfer Switch (Includes redundant input power cords.)	-	Select Models	-	Select Models
Digital Load Meter (Displays current usage in real time.)	-	Yes	Yes	Yes
Network Interface (Enables remote management via SNMP, Web or telnet.)	-	-	Yes	Yes
Remote Individual Outlet Control (Turns outlets on or off from any location.)	-	-	-	Yes

Go to www.tripplite.com for more information about Tripp Lite's full line of PDUs, including an interactive PDU selector guide.

About Tripp Lite

Since 1922, Tripp Lite has established a global reputation for product reliability, superior value and excellent service. Tripp Lite makes more than 1,000 products to power, protect and connect electronic equipment, including UPS systems, replacement batteries, PDUs, rack systems, cooling solutions, surge suppressors, IP console servers, KVM switches, cables, laptop accessories, power strips and inverters. Headquartered in Chicago, Tripp Lite maintains offices worldwide. Learn more at www.tripplite.com.

Copyright © 2010 Tripp Lite. All trademarks are the sole property of their respective owners. Tripp Lite has a policy of continuous improvement. Specifications are subject to change without notice. Photos may differ slightly from actual products.



Tripp Lite World Headquarters
 1111 W. 35th Street, Chicago, IL 60609 USA
 773.869.1234 • www.tripplite.com

