

1) INSTALL MOUNTING BRACKET AT THE DESIRED HEIGHT ON THE UPRIGHT BY USING 3/8" STRUT NUTS AND 3/8" x 1" ALLEN CAP BOLTS PROVIDED.

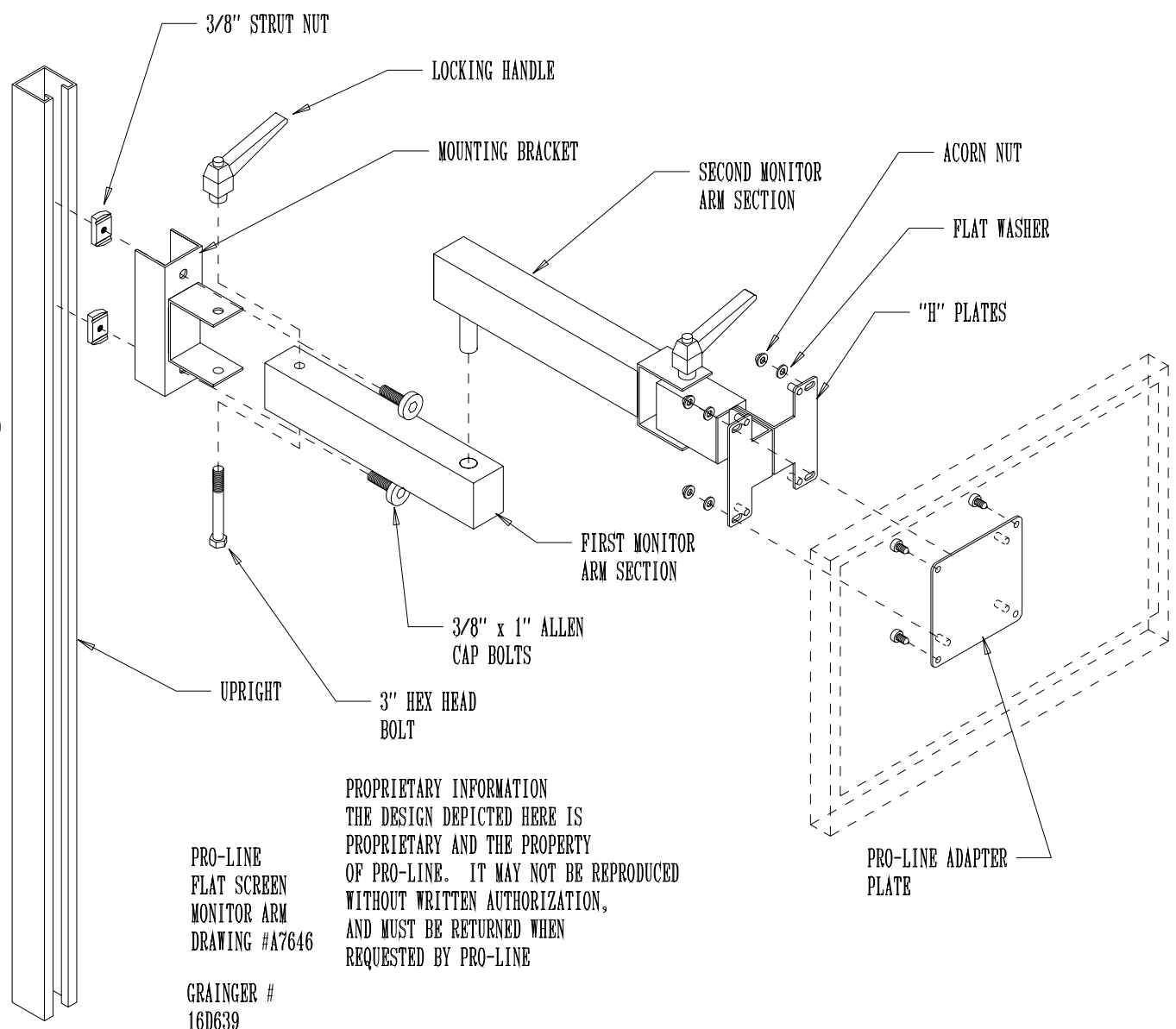
2) IF NOT ALREADY PREVIOUSLY DONE, INSTALL THE FIRST MONITOR ARM SECTION TO THE MOUNTING BRACKET INSTALLED IN STEP 1 USING 3" HEX HEAD BOLT AND LOCKING HANDLE.

3) REMOVE THE MANUFACTURE'S MOUNTING PLATE FROM THE BACK OF THE MONITOR AND SAVE THE FOUR MOUNTING SCREWS.

(FOR 100MM HOLE TO HOLE PATTERN MONITORS, USE ADAPTOR PLATE FOR 75MM HOLE TO HOLE PATTERN MONITORS, MOUNT DIRECTLY TO "H" PLATES)

4) PLACE THE PRO-LINE ADAPTOR PLATE ON THE PREVIOUSLY VACATED SPOT WITH THE STUDS FACING OUT. USING THE FOUR SCREWS REMOVED IN STEP THREE, SECURE THE PRO-LINE BRACKET TO THE MONITOR.

5) SLIDE THE ROD FROM THE SECOND SECTION OF THE MONITOR ARM INTO THE HOLE OF THE FIRST SECTION TO COMPLETE THE ASSEMBLY.



PROPRIETARY INFORMATION  
 THE DESIGN DEPICTED HERE IS  
 PROPRIETARY AND THE PROPERTY  
 OF PRO-LINE. IT MAY NOT BE REPRODUCED  
 WITHOUT WRITTEN AUTHORIZATION,  
 AND MUST BE RETURNED WHEN  
 REQUESTED BY PRO-LINE

PRO-LINE  
 FLAT SCREEN  
 MONITOR ARM  
 DRAWING #A7646

GRAINGER #  
 16D639

PRO-LINE ADAPTER  
 PLATE