

Product Information Sheet

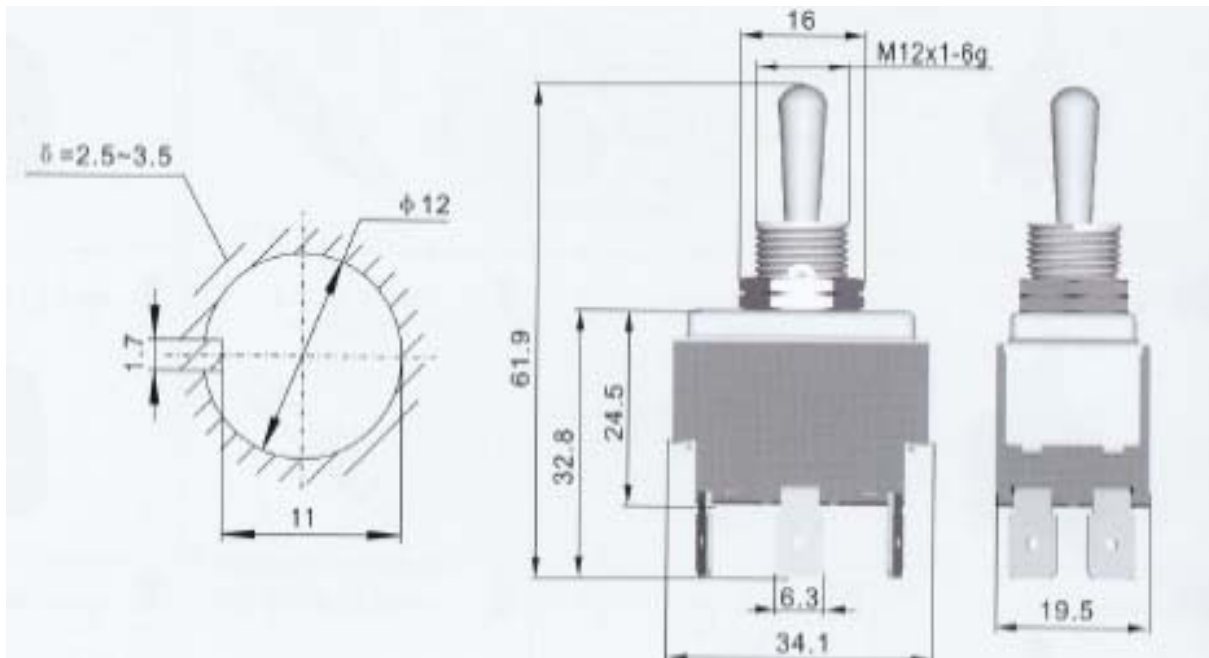
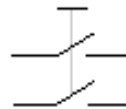
Grainger Item Number 2VLU1
 Mfg's Item No. HY29E
 Description Toggle Switch
 Contact Form DPST
 Function On/ Off
 Switch type Maintained

Electrical Specifications

Amp Rating 20A@ 125 VAC
 15A @ 277 VAC
 Horsepower 2HP @ 125 - 277 VAC
 Standards UL, cUL (E200089), TUV, CE

Mechanical Specifications

Operating Cycles 50,000
 Number of Connections 4
 Terminal Type 6.3mm (1/4") TAB
 Mounting Type Panel
 Mounting Hole Size 1/2"
 Operating Temperature 85 °C



All dimensions are in mm

Find it at Grainger.

Call or visit your local branch or go to grainger.com for complete product line information