

Product Information Sheet

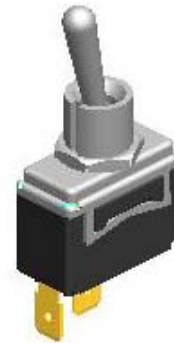
Grainger Item Number 2VLT7
 Mfg's Item No. HY29-H
 Description Toggle Switch
 Contact Form SPST
 Function On / Off
 Switch type Maintained

Electrical Specifications

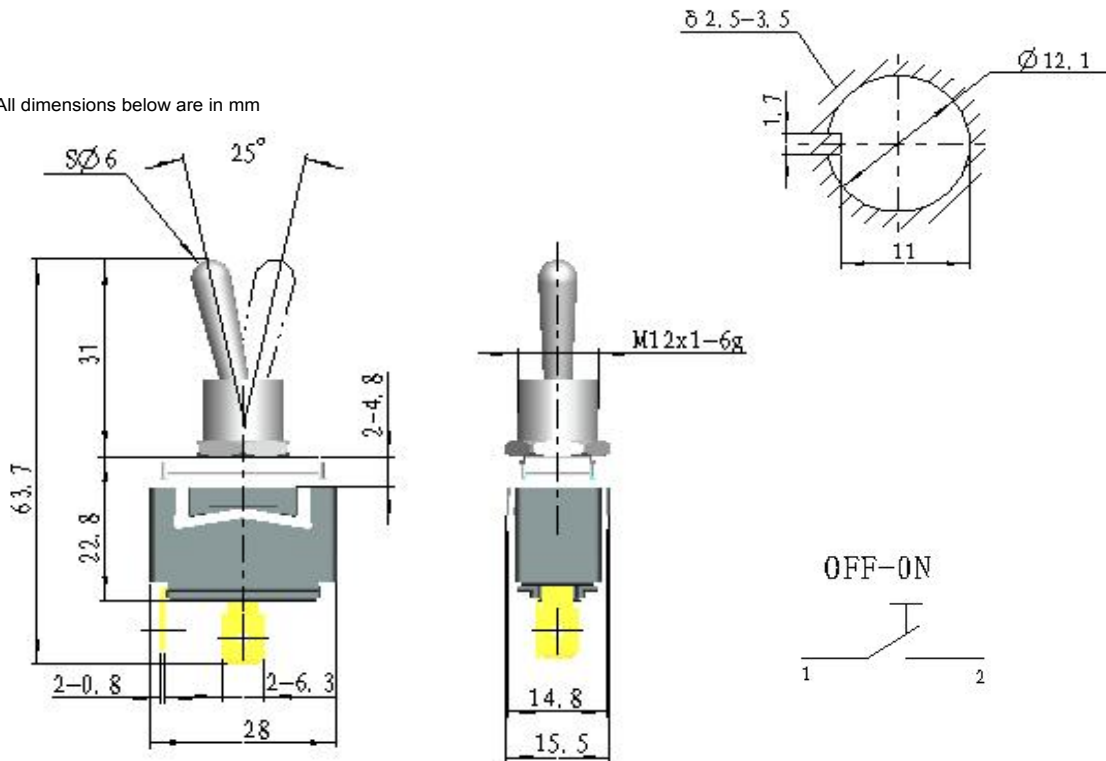
Amp Rating 20A@ 125 VAC
 15A @ 277 VAC
 Horsepower 2HP @ 125 - 277 VAC
 Standards UL, cUL (E200089), TUV, CE

Mechanical Specifications

Operating Cycles 50,000
 Number of Connections 2
 Terminal Type 6.3mm (1/4") TAB
 Mounting Type Panel
 Mounting Hole Size 1/2"
 Operating Temperature 85 °C



All dimensions below are in mm



Find it at Grainger.

Call or visit your local branch or go to grainger.com for complete product line information