

Product Information Sheet

Item Number	2VLR2
Manufacturer's Item no.	HY60E (black button)
Description	Rocker Switch
Contact Form	DPST
Function	On / Off
The switch is lighted	No
Button Color	Black

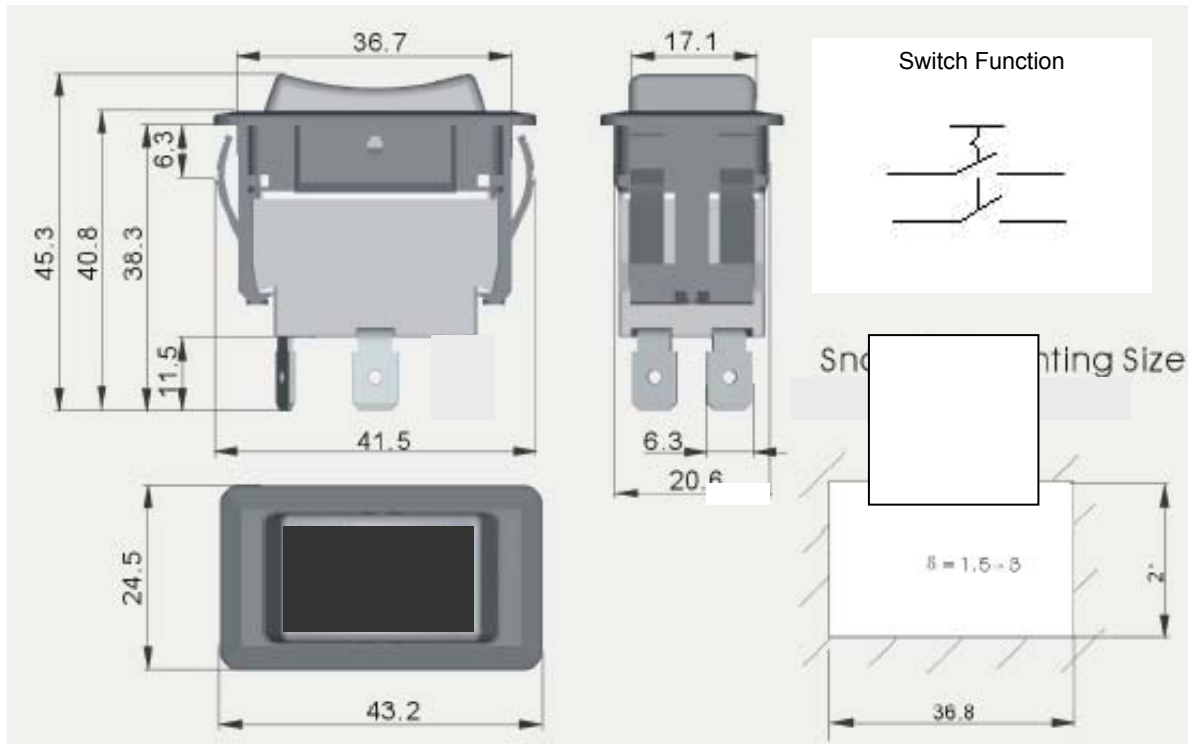


Electrical Specifications

Amp Rating	20 @ 125 VAC 15 @ 277 VAC
Horsepower	2 @ 110/250 VAC
Standards	UL, CUL (E195428), ENEC, CE

Mechanical Specifications

Operating Cycles	50,000
Number of Connections	4
Terminal Type	6mm Tab
Mounting Type	Panel
Mounting Hole Size	0.82" x 1.45"
Operating Temperature	40 °C



All dimensions are in mm

Find it at Grainger.

Call or visit your local branch or go to grainger.com for complete product line information