



Product Information Sheet

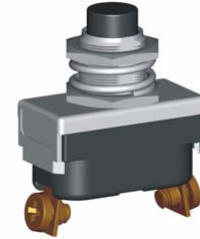
Grainger Item No. 2VLP7
Manufacturer's Item No. HY55
Description Push Button Switch
Contact Form SPST
Function (On) / Off (Momentary On / Maintained Off)
The switch is lighted NO

Electrical Specifications

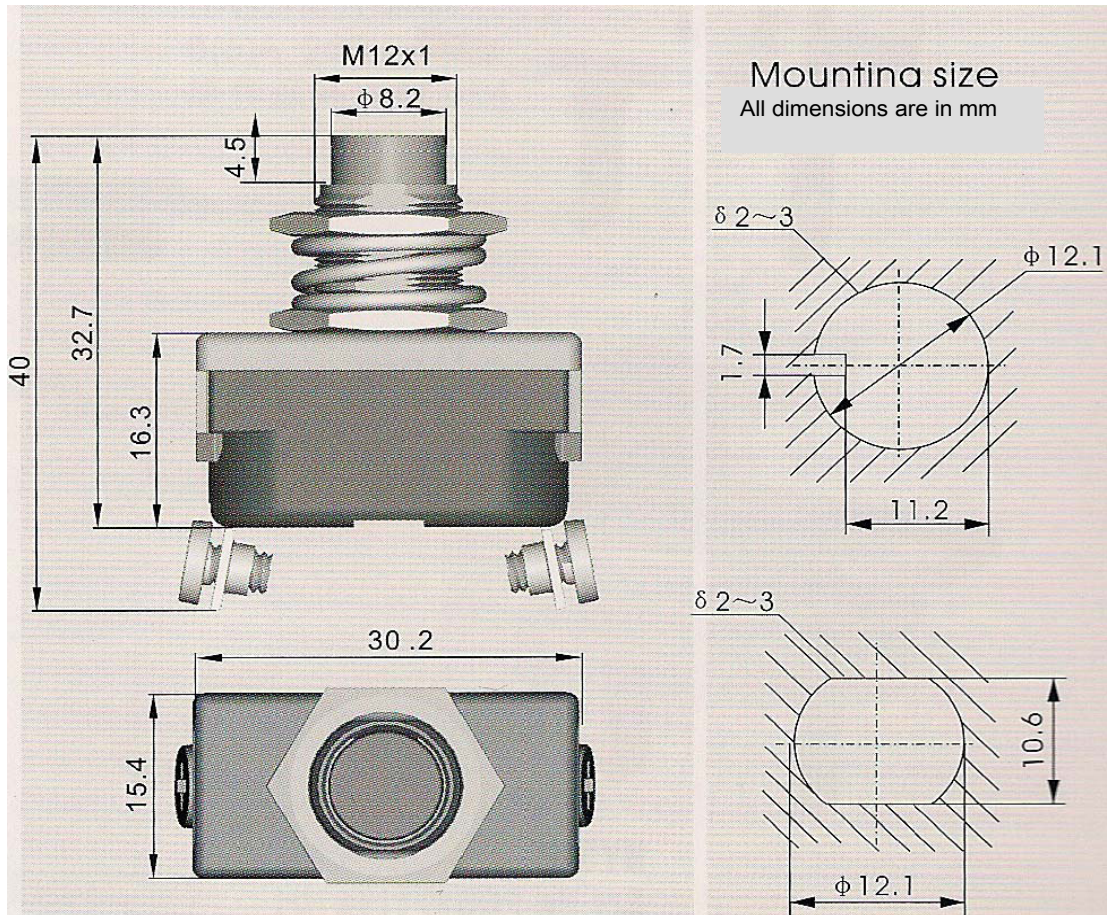
Amp Rating 16 @ 125 VAC
10 @ 250 VAC
Standards UL, cUL

Mechanical Specifications

Number of Cycles 50,000
Number of Connections 2
Terminal Type Screw
Mounting Type Panel
Mounting Hole Size 1/2"
Operating Temperature 75 C



Switch Function



Find it at Grainger.

Call or visit your local branch or go to grainger.com for complete product line information

