

# Product Information Sheet

**Grainger Item No. 2VLN5**

**Manufacturer's Item No. HY29-H**

Item Number	2VLN5
Description	Toggle Switch
Contact Form	SPST
Function	On/ Off
Switch type	Maintained

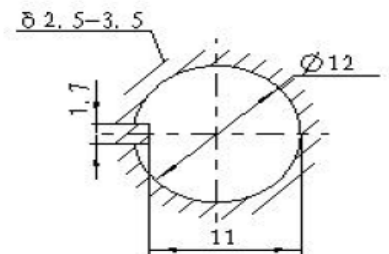
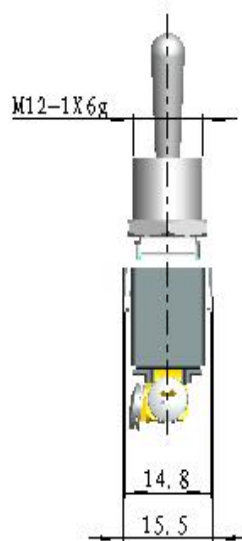
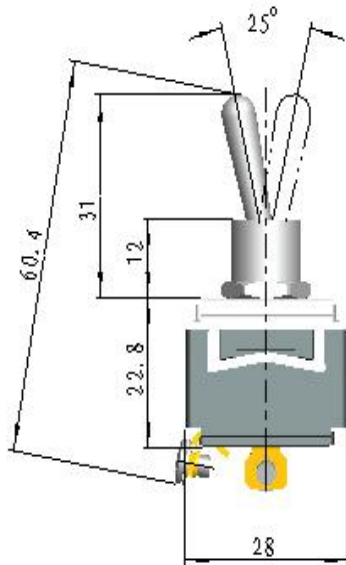
Electrical Specifications

Amp Rating	20A@ 125 VAC 15A @ 277 VAC
Horsepower	2HP @ 125 - 277 VAC
Standards	UL, cUL(E200089), CE,TUV



Mechanical Specifications

Operating Cycles	50000
Number of Connections	2
Terminal Type	SCREW
Mounting Type	Panel
Mounting Hole Size	1/2"
Operating Temperature	85 °C



OFF-ON



**All dimensions are in mm**

Find it at Grainger.

Call or visit your local branch or go to [grainger.com](http://grainger.com) for complete product line information