

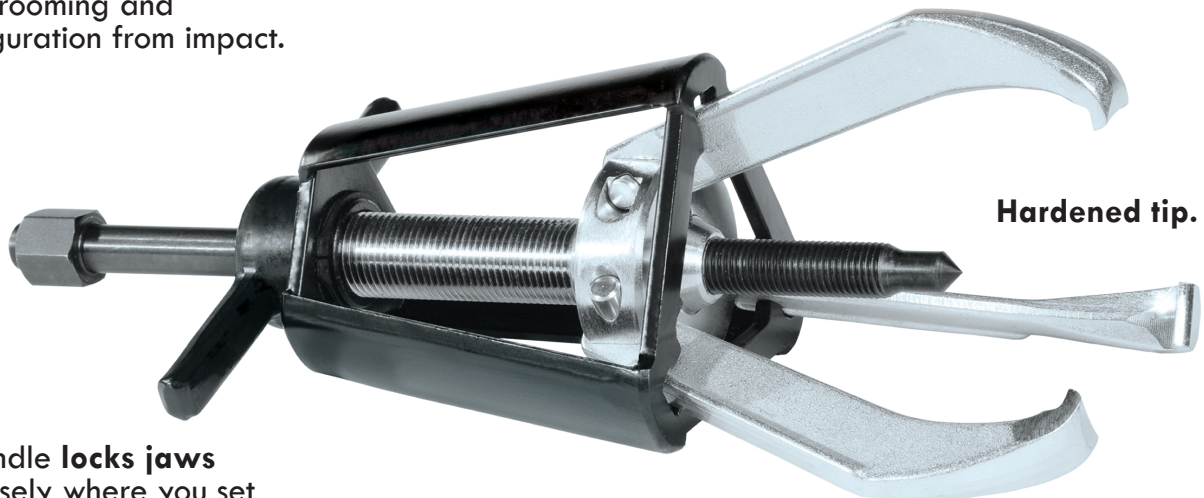
Safety. Speed. Strength. Safety. Speed. Strength. Safety. Speed. Strength. Safety. Speed. Strength. Safety. Speed. Strength. Safety. Speed. Strength. Safety.

Posi Lock Gear and Bearing Pullers

Nut recessed to avoid mushrooming and disfiguration from impact.

Cage[®] guides jaws for **fast setup, solid contact** and **superior safety**.

Center bolt threads designed for **less effort** to apply **high torque**.



T-handle **locks jaws** precisely where you set them.

Leverage up front for **wise-like power** and **no slippage**.

Hardened tip.

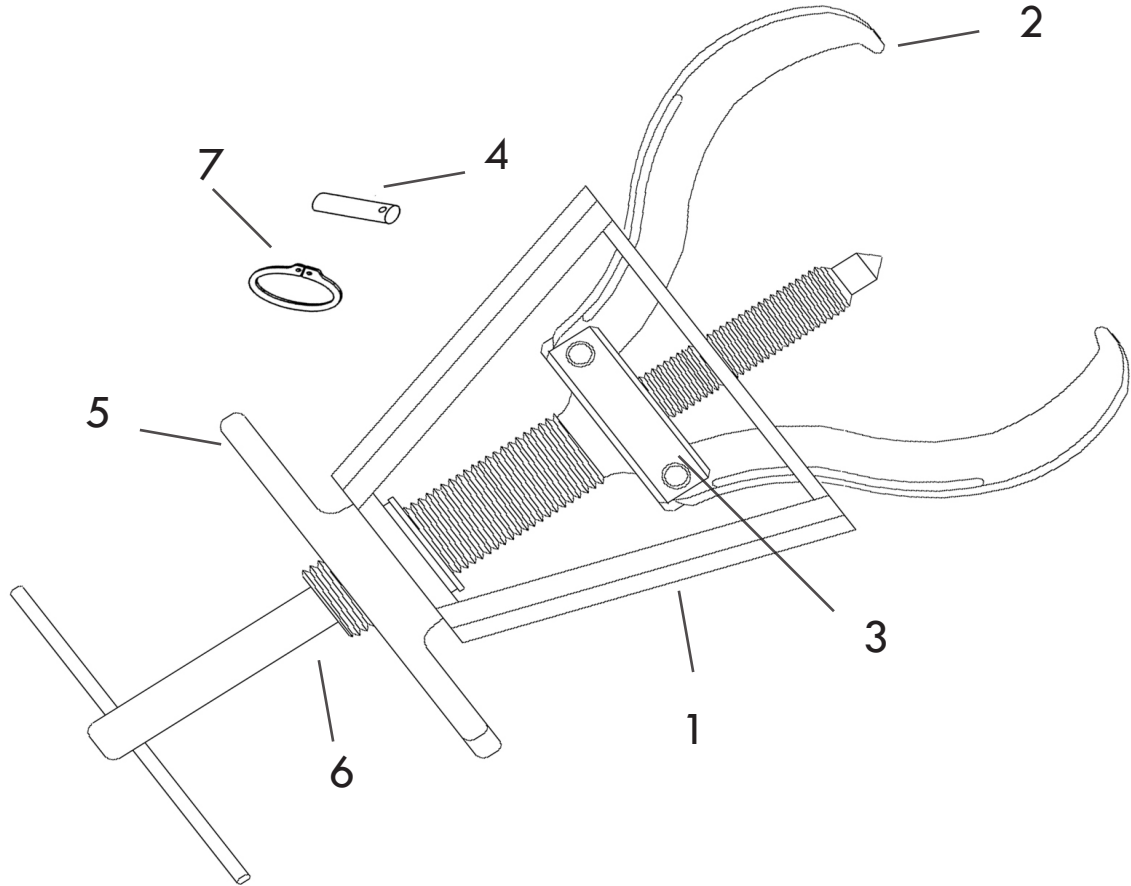
Slim tapered jaws allow for **easier gripping** and better **access to tight spots**.

A general purpose puller that eliminates the need for many specialty pullers and accessories.

- One-man operation
- Locks like a vise
- Save time, money and labor

| Model Number | Number of Jaws | Capacity Tons | Maximum Reach | Spread Range |
|--------------|----------------|---------------|---------------|-----------------|
| 202 | 2 | 1 | 2.25 in. | .25 to 3.25 in. |
| 102 | 3 | 1 | 2.25 in. | .25 to 3.25 in. |
| 203 | 2 | 2 | 3 in. | .25 to 4.5 in. |
| 103 | 3 | 2 | 3 in. | .25 to 4.5 in. |
| 204 | 2 | 2 | 4 in. | .5 to 5 in. |
| 104 | 3 | 5 | 4 in. | .5 to 5 in. |
| 206 | 2 | 6 | 6 in. | .5 to 7 in. |
| 106 | 3 | 10 | 6 in. | .5 to 7 in. |
| 208 | 2 | 12 | 8 in. | .75 to 12 in. |
| 108 | 3 | 17 | 8 in. | .75 to 12 in. |
| 210 | 2 | 14 | 9.67 in. | 1 to 15 in. |
| 110 | 3 | 20 | 9.67 in. | 1 to 15 in. |
| 213 | 2 | 25 | 12 in. | 2.5 to 18 in. |
| 113 | 3 | 30 | 12 in. | 2.5 to 18 in. |
| 216 | 2 | 35 | 14 in. | 3 to 25 in. |
| 116 | 3 | 40 | 14 in. | 3 to 25 in. |

202 PARTS BREAKDOWN



For more information, contact
your Posi Lock Sales Executive:

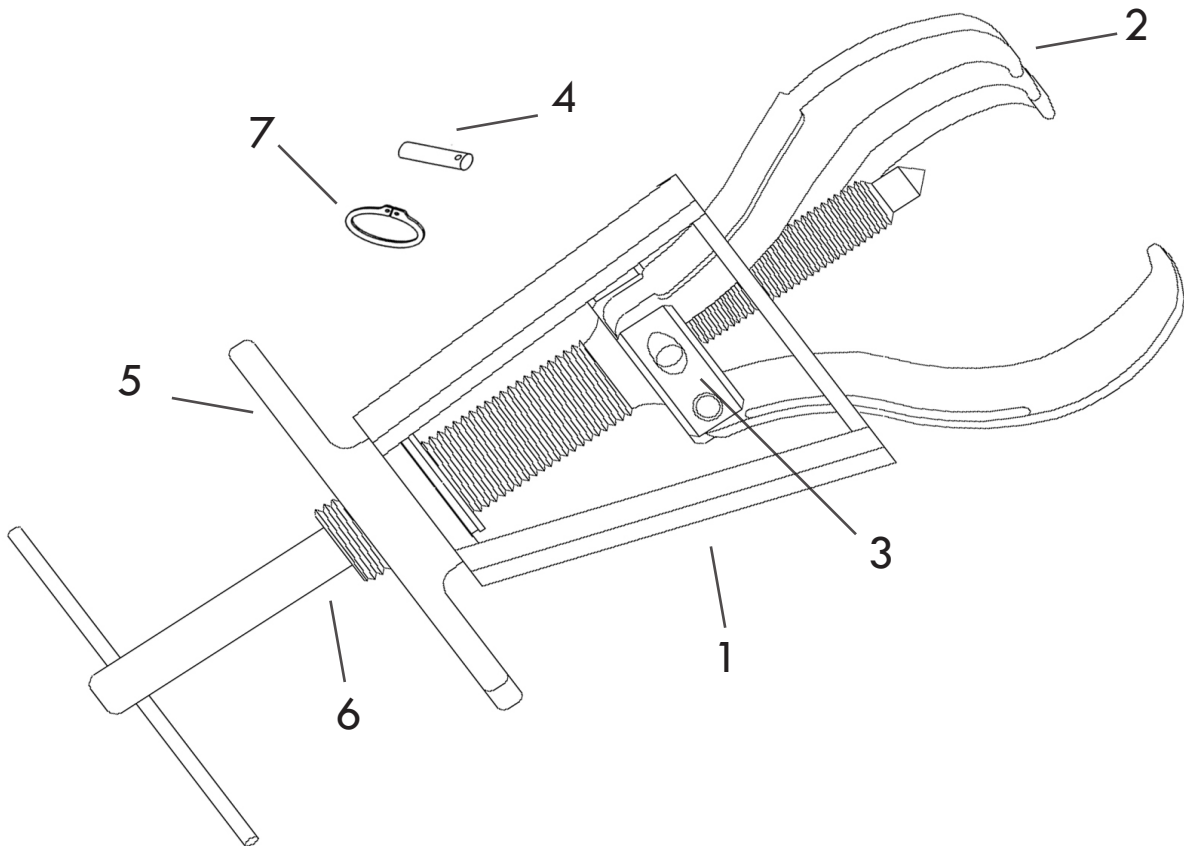
Robin Eckman
701-797-2600 | robin@posilock.com



All Posi Lock Pullers are parts replaceable.
See part numbers below.

| Description | Part # |
|------------------------------|--------|
| 1. Cage® - 2 Jaw | 20253 |
| 2. Jaw | 10254 |
| 3. Jaw Head Assembly - 2 Jaw | 20255 |
| 4. Pin | 10256 |
| 5. T-Handle | 10257 |
| 6. Center Bolt (dia. 5/16") | 10258 |
| 7. Snap Ring | 10259 |

103 PARTS BREAKDOWN



For more information, contact your Posi Lock Sales Executive:

Robin Eckman
 701-797-2600 | robin@posilock.com

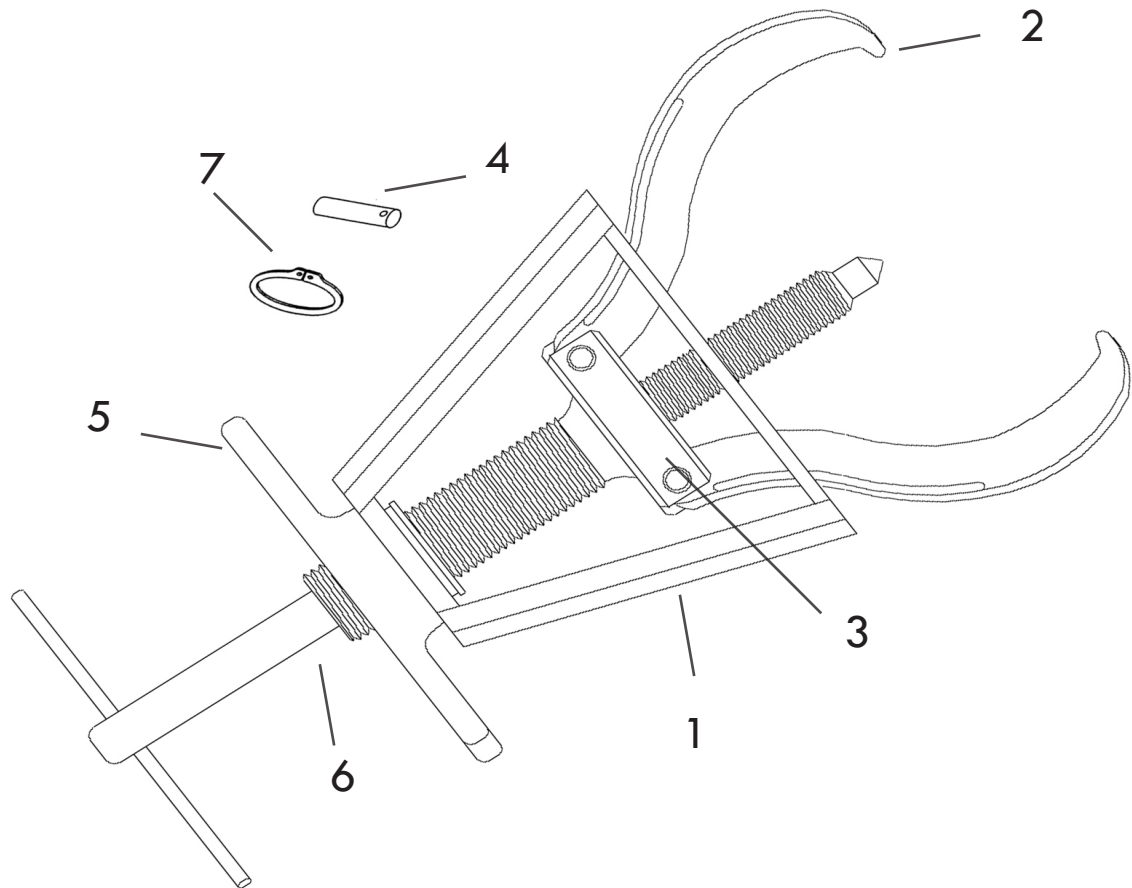


All Posi Lock Pullers are parts replaceable. See part numbers below.

| Description | Part # |
|------------------------------|--------|
| 1. Cage® - 3 Jaw | 10353 |
| 2. Jaw | 10354 |
| 3. Jaw Head Assembly - 3 Jaw | 10355 |
| 4. Pin | 10356 |
| 5. T-Handle | 10357 |
| 6. Center Bolt (dia. 3/8") | 10358 |
| 7. Snap Ring | 10359 |



203 PARTS BREAKDOWN



For more information, contact
your Posi Lock Sales Executive:

Robin Eckman

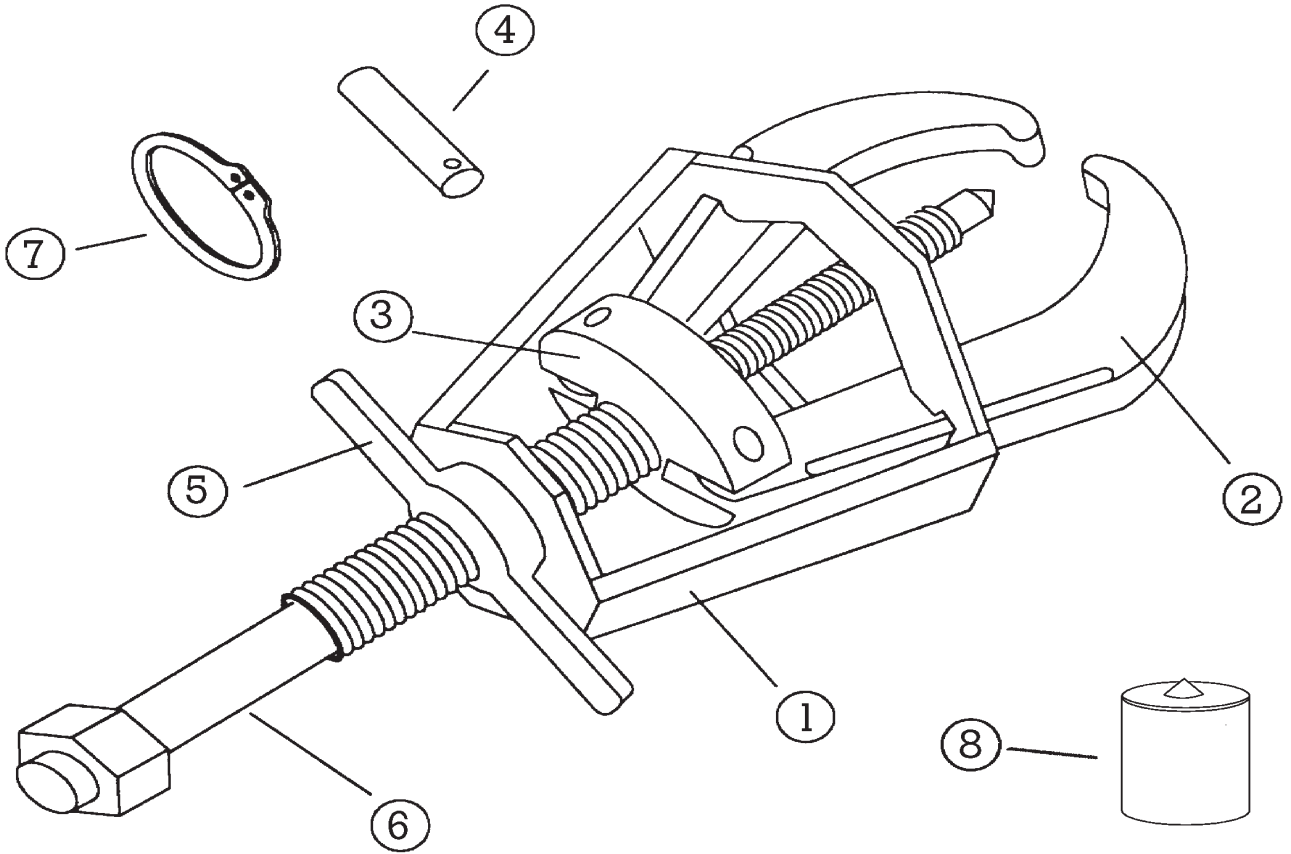
701-797-2600 | robin@posilock.com



All Posi Lock Pullers are parts replaceable.
See part numbers below.

| Description | Part # |
|------------------------------|--------|
| 1. Cage® - 2 Jaw | 20353 |
| 2. Jaw | 10354 |
| 3. Jaw Head Assembly - 2 Jaw | 20355 |
| 4. Pin | 10356 |
| 5. T-Handle | 10357 |
| 6. Center Bolt (dia. 3/8") | 10358 |
| 7. Snap Ring | 10359 |

204 PARTS BREAKDOWN



For more information, contact your Posi Lock Sales Executive:

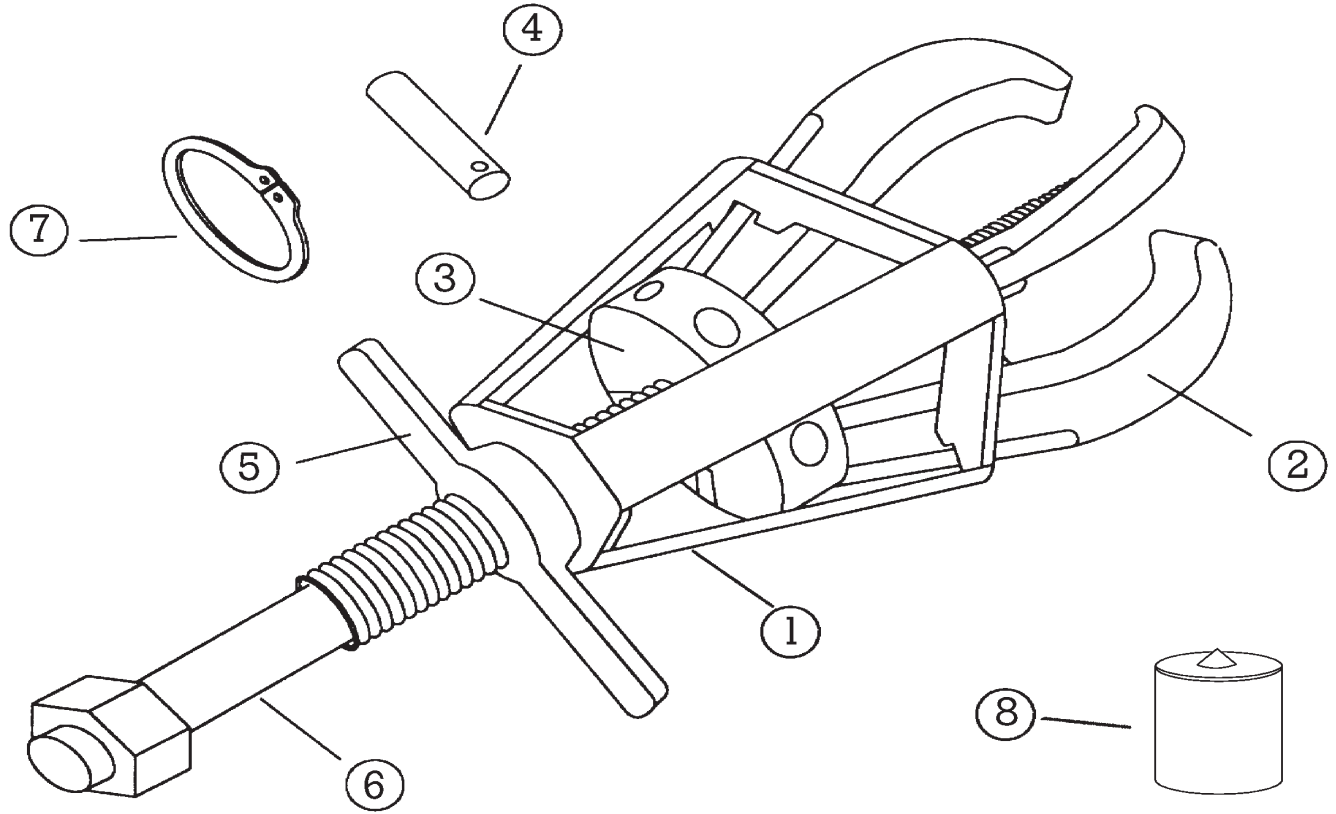
Robin Eckman
 701-797-2600 | robin@posilock.com

All Posi Lock Pullers are parts replaceable.
 See part numbers below.

| Description | Part # |
|------------------------------|--------|
| 1. Cage® - 2 Jaw | 20453 |
| 2. Jaw | 10454 |
| 3. Jaw Head Assembly - 2 Jaw | 20455 |
| 4. Pin | 10456 |
| 5. T-Handle | 10457 |
| 6. Center Bolt (Dia. 9/16") | 10458 |
| 7. Snap Ring | 10459 |
| 8. Tip Protector | P4 |

*Optional accessories are also available

106 PARTS BREAKDOWN



For more information, contact
your Posi Lock Sales Executive:

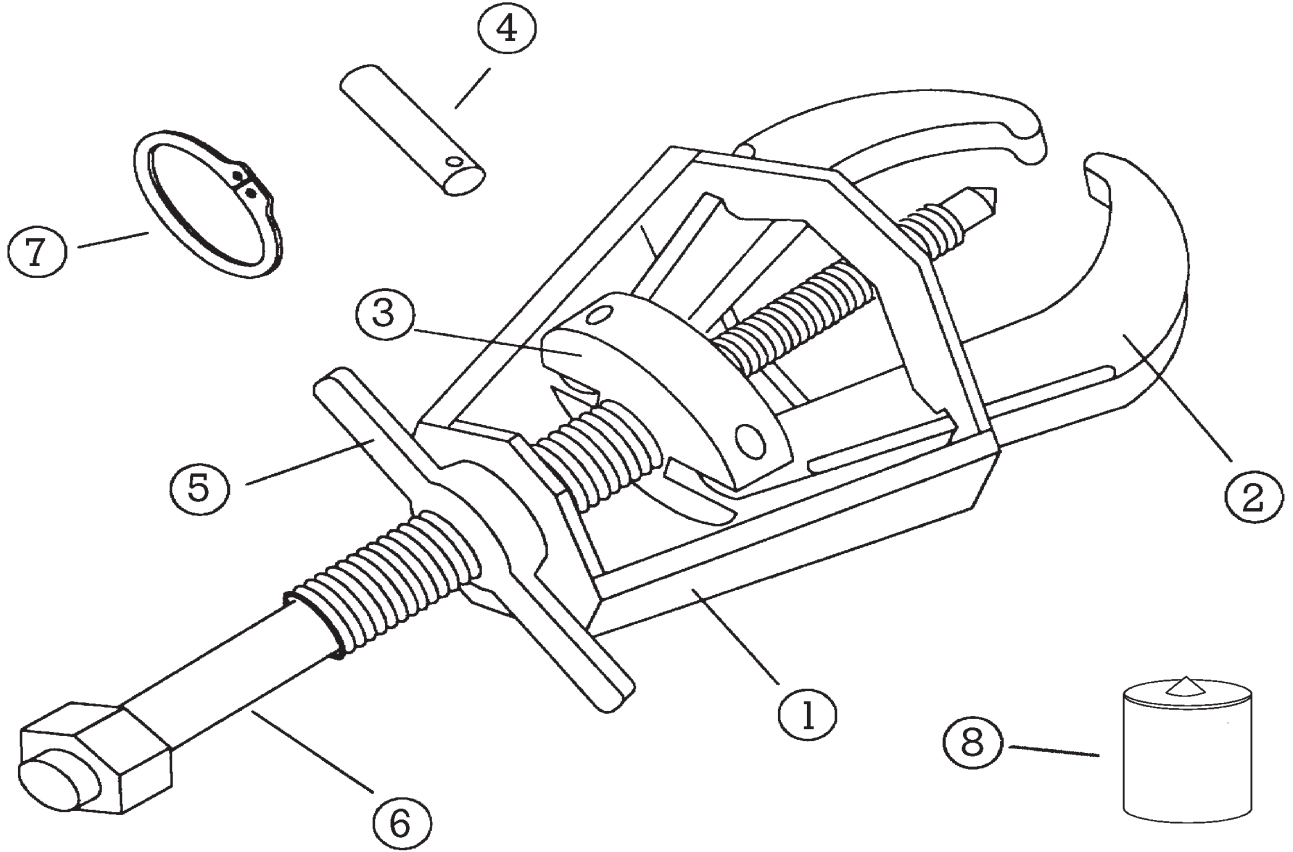
Robin Eckman
701-797-2600 | robin@posilock.com

All Posi Lock Pullers are parts replaceable.
See part numbers below.

| Description | Part # |
|------------------------------|--------|
| 1. Cage® - 3 Jaw | 10653 |
| 2. Jaw | 10654 |
| 3. Jaw Head Assembly - 3 Jaw | 10655 |
| 4. Pin | 10656 |
| 5. T-Handle | 10657 |
| 6. Center Bolt (Dia. 5/8") | 10658 |
| 7. Snap Ring | 10659 |
| 8. Tip Protector | P6 |

*Optional accessories are also available

206 PARTS BREAKDOWN



For more information, contact
your Posi Lock Sales Executive:

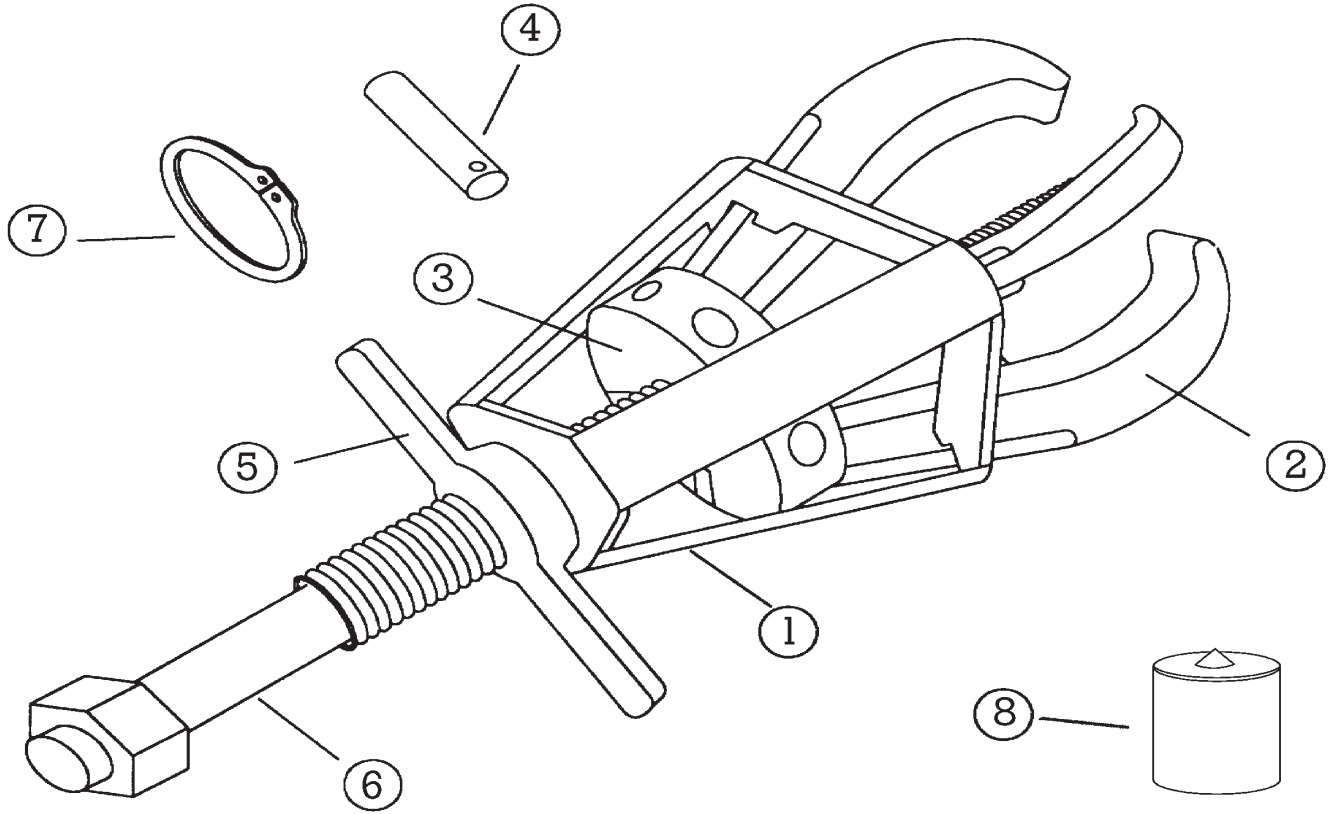
Robin Eckman
701-797-2600 | robin@posilock.com

All Posi Lock Pullers are parts replaceable.
See part numbers below.

| Description | Part # |
|-------------------------------------|--------|
| 1. Cage® - 2 Jaw | 20653 |
| 2. Jaw | 10654 |
| 3. Jaw Head Assembly - 2 Jaw | 20655 |
| 4. Pin | 10656 |
| 5. T-Handle | 10657 |
| 6. Center Bolt (Dia. 5/8") | 10658 |
| 7. Snap Ring | 10659 |
| 8. Tip Protector | P6 |

*Optional accessories are also available

108 PARTS BREAKDOWN



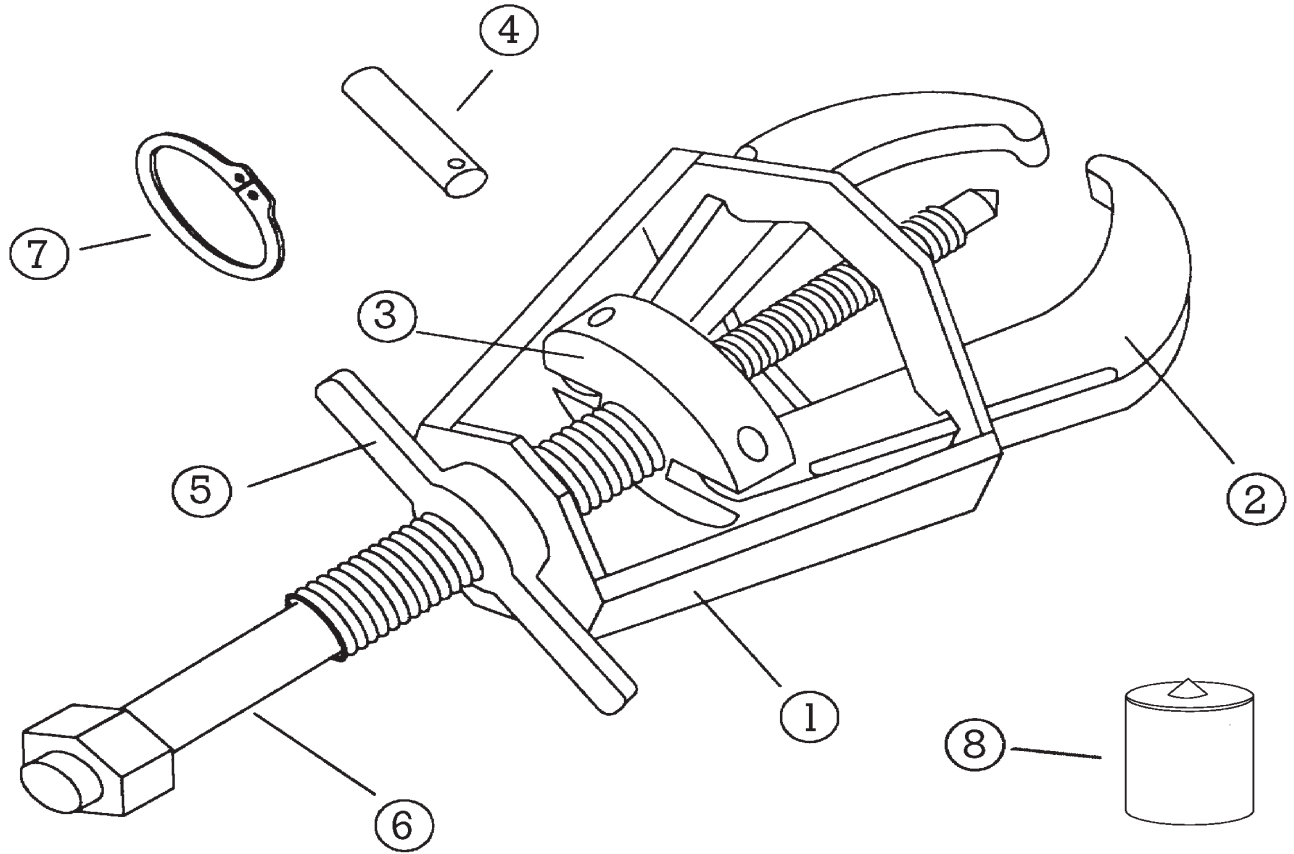
For more information, contact
your Posi Lock Sales Executive:

Robin Eckman
701-797-2600 | robin@posilock.com

All Posi Lock Pullers are parts replaceable.
See part numbers below.

| Description | Part # |
|--|--------|
| 1. Cage® - 3 Jaw | 10853 |
| 2. Jaw | 10854 |
| 3. Jaw Head Assembly - 3 Jaw | 10855 |
| 4. Pin | 11056 |
| 5. T-Handle | 11057 |
| 6. Center Bolt (Dia. 3/4") | 10858 |
| 7. Snap Ring | 11059 |
| 8. Tip Protector | P10 |
| *Optional accessories are also available | |

208 PARTS BREAKDOWN



For more information, contact your Posi Lock Sales Executive:

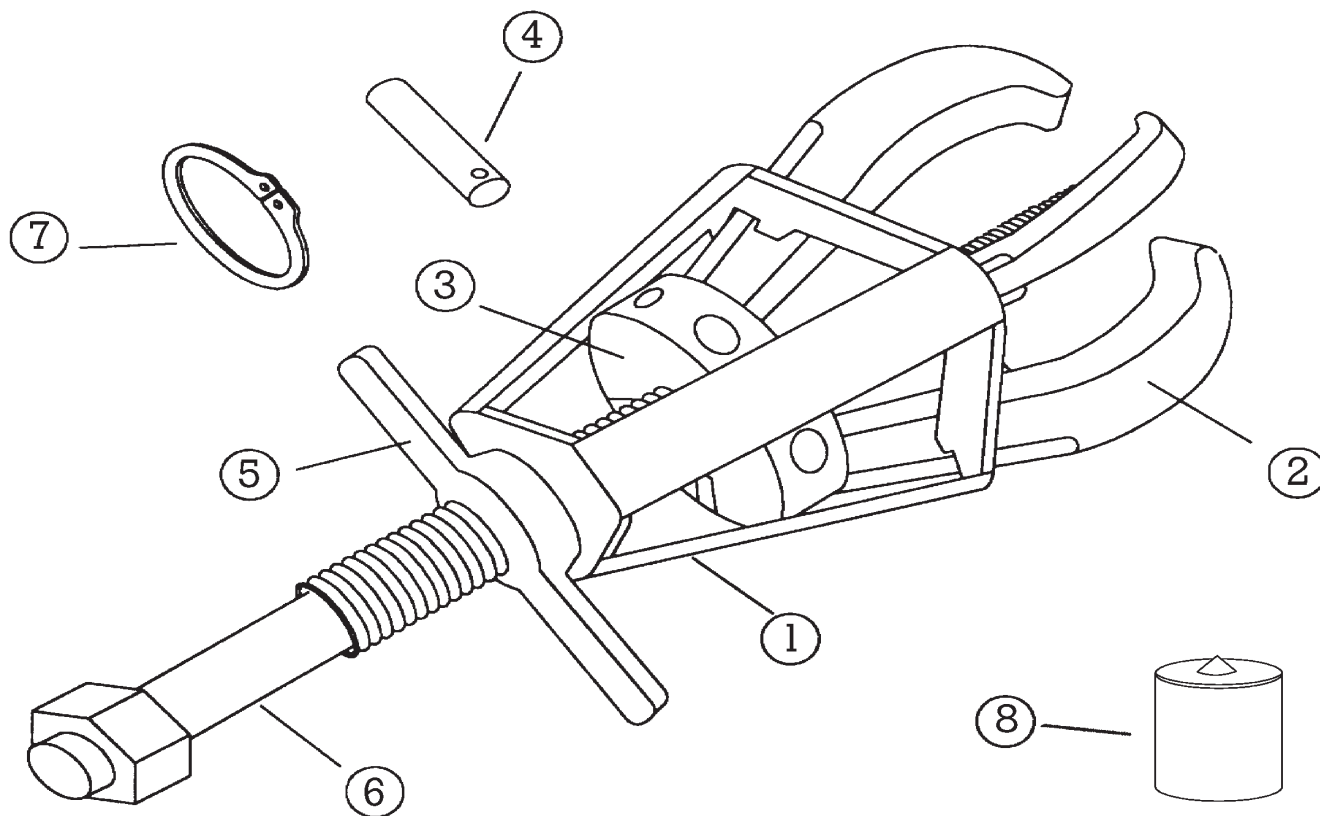
Robin Eckman
701-797-2600 | robin@posilock.com

All Posi Lock Pullers are parts replaceable.
See part numbers below.

| Description | Part # |
|--|--------|
| 1. Cage® - 2 Jaw | 20853 |
| 2. Jaw | 10854 |
| 3. Jaw Head Assembly - 2 Jaw | 20855 |
| 4. Pin | 11056 |
| 5. T-Handle | 11057 |
| 6. Center Bolt (Dia. 3/4") | 10858 |
| 7. Snap Ring | 11059 |
| 8. Tip Protector | P10 |
| *Optional accessories are also available | |

Safety. Speed. Strength. Safety. Speed. Strength. Safety. Speed. Strength. Safety. Speed. Strength. Safety. Speed. Strength. Safety. Speed. Strength. Safety.

110 PARTS BREAKDOWN



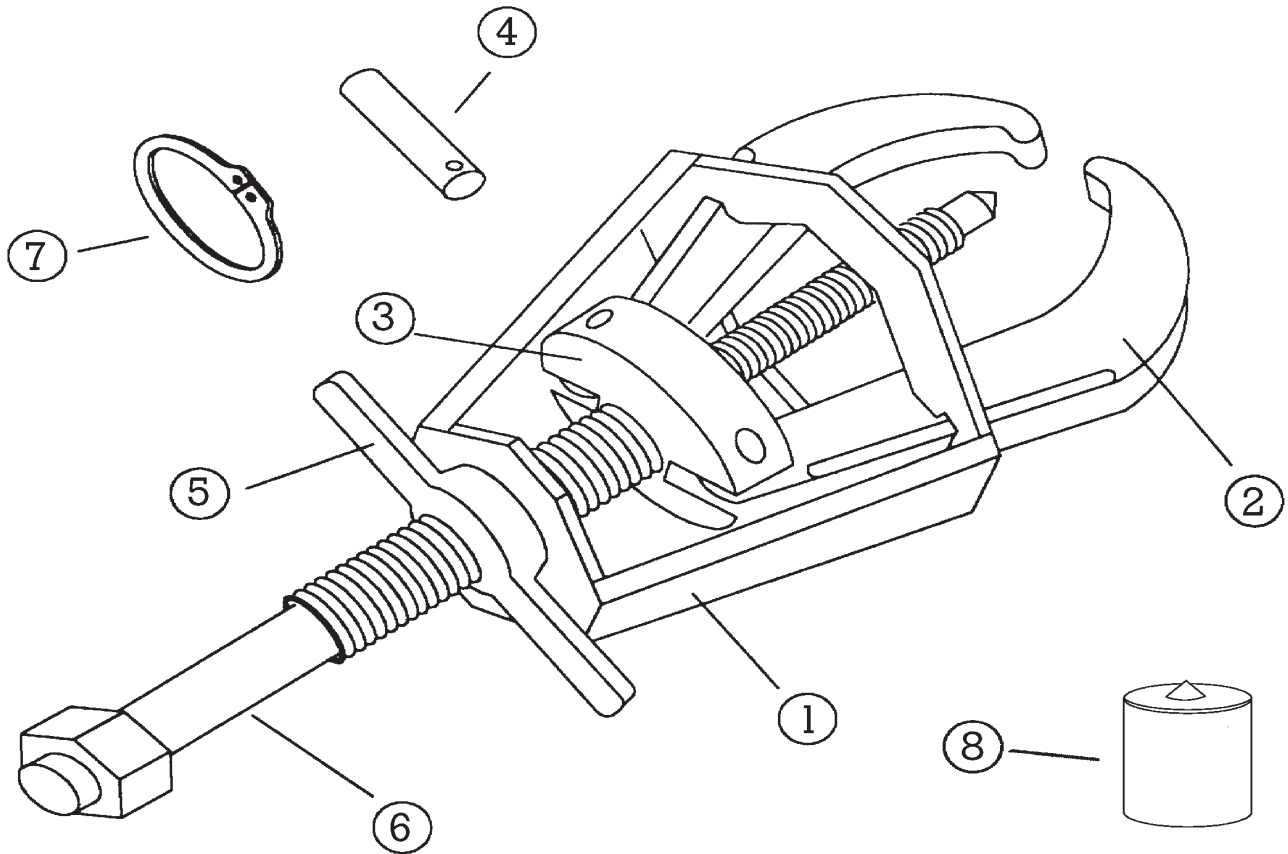
For more information, contact
your Posi Lock Sales Executive:

Robin Eckman
701-797-2600 | robin@posilock.com

All Posi Lock Pullers are parts replaceable.
See part numbers below.

| Description | Part # |
|--|--------|
| 1. Cage® - 3 Jaw | 11053 |
| 2. Jaw | 11054 |
| 3. Jaw Head Assembly - 3 Jaw | 11055 |
| 4. Pin | 11056 |
| 5. T-Handle | 11057 |
| 6. Center Bolt (Dia. 3/4") | 11058 |
| 7. Snap Ring | 11059 |
| 8. Tip Protector | P10 |
| *Optional accessories are also available | |

210 PARTS BREAKDOWN



For more information, contact
your Posi Lock Sales Executive:

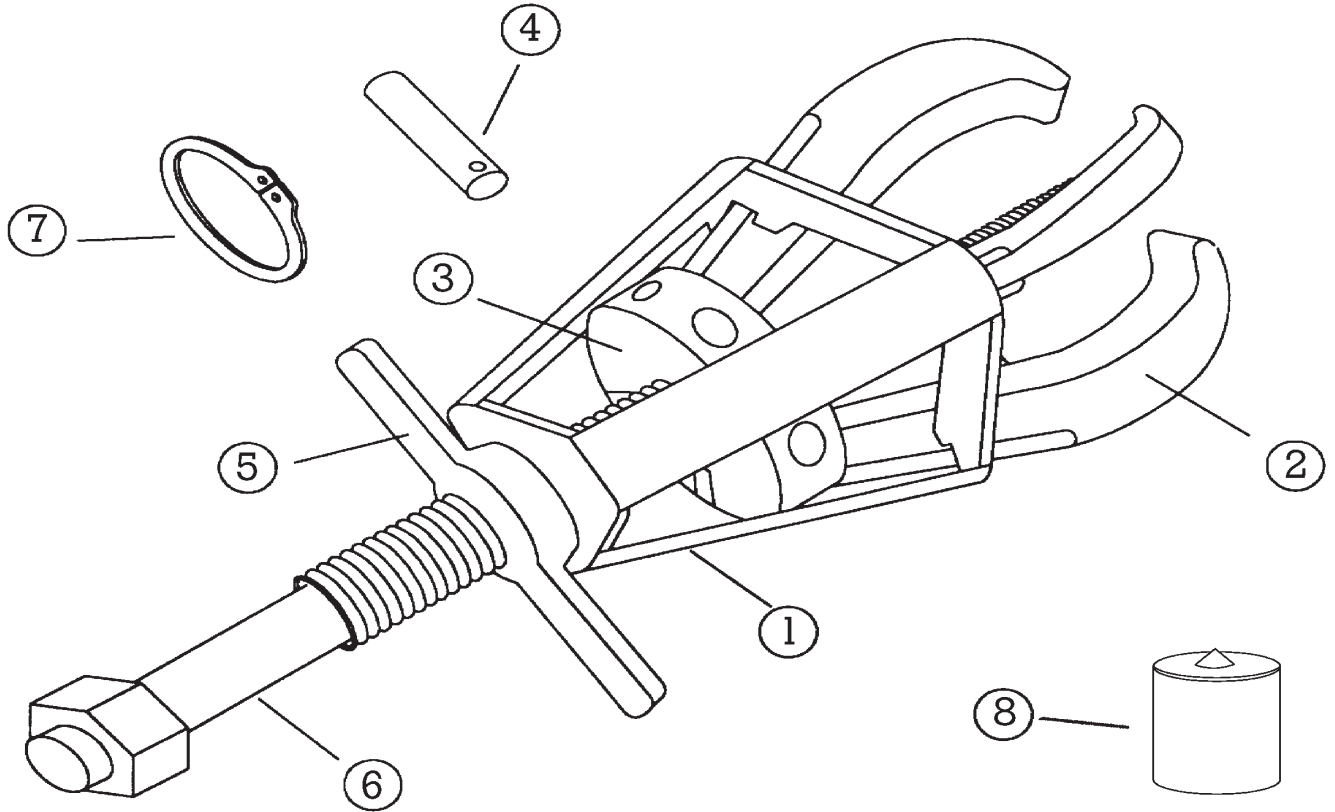
Robin Eckman
701-797-2600 | robin@posilock.com

All Posi Lock Pullers are parts replaceable.
See part numbers below.

| Description | Part # |
|--|--------|
| 1. Cage® - 2 Jaw | 21053 |
| 2. Jaw | 11054 |
| 3. Jaw Head Assembly - 2 Jaw | 21055 |
| 4. Pin | 11056 |
| 5. T-Handle | 11057 |
| 6. Center Bolt (Dia. 3/4") | 11058 |
| 7. Snap Ring | 11059 |
| 8. Tip Protector | P10 |
| *Optional accessories are also available | |

Safety. Speed. Strength. Safety. Speed. Strength. Safety. Speed. Strength. Safety. Speed. Strength. Safety. Speed. Strength. Safety.

113 PARTS BREAKDOWN



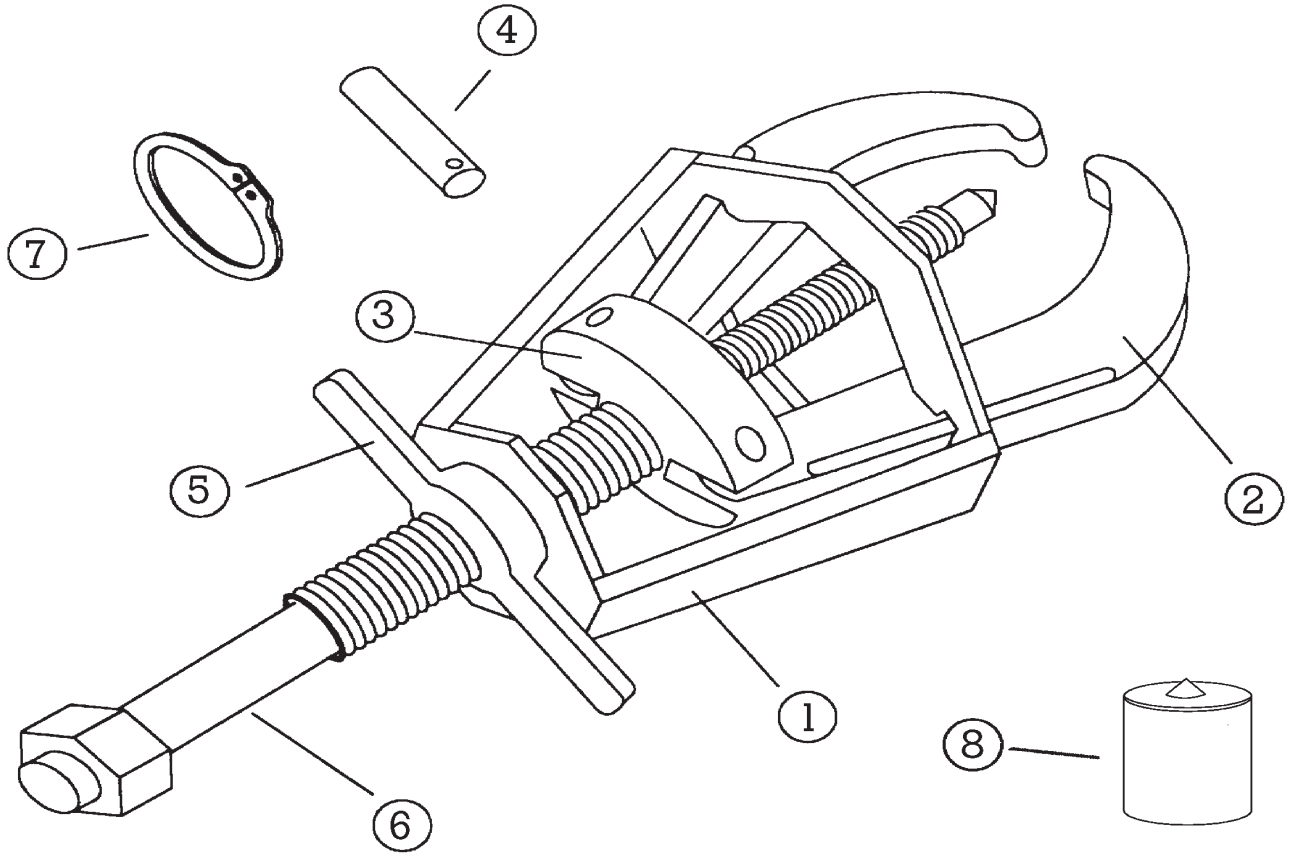
For more information, contact
your Posi Lock Sales Executive:

Robin Eckman
701-797-2600 | robin@posilock.com

All Posi Lock Pullers are parts replaceable.
See part numbers below.

| Description | Part # |
|---|--------|
| 1. Cage[®] - 3 Jaw | 11353 |
| 2. Jaw | 11354 |
| 3. Jaw Head Assembly - 3 Jaw | 11355 |
| 4. Pin | 11356 |
| 5. T-Handle | 11357 |
| 6. Center Bolt (Dia. 1 1/8") | 11358 |
| 7. Snap Ring | 11359 |
| 8. Tip Protector | P13/16 |
| <small>*Optional accessories are also available</small> | |

213 PARTS BREAKDOWN



For more information, contact
 your Posi Lock Sales Executive:

Robin Eckman
 701-797-2600 | robin@posilock.com

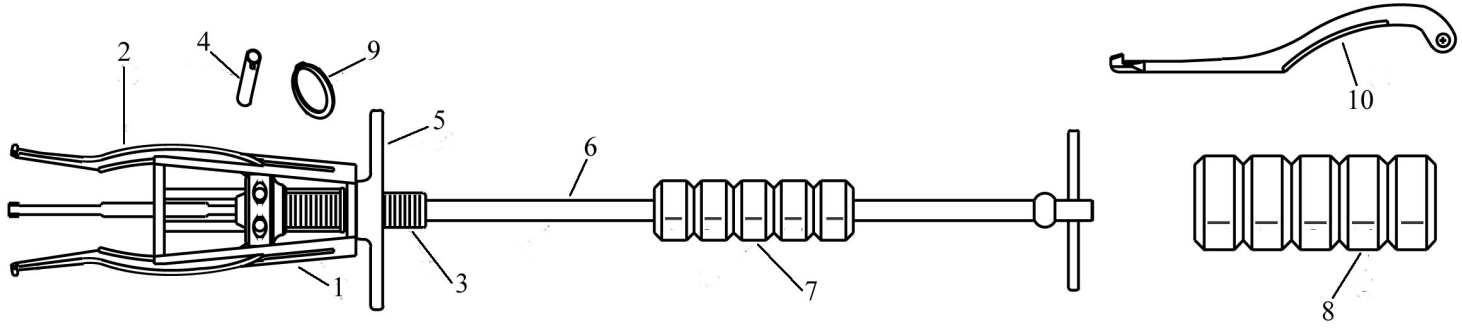
All Posi Lock Pullers are parts replaceable.
 See part numbers below.

| Description | Part # |
|------------------------------|--------|
| 1. Cage® - 2 Jaw | 21353 |
| 2. Jaw | 11354 |
| 3. Jaw Head Assembly - 2 Jaw | 21355 |
| 4. Pin | 11356 |
| 5. T-Handle | 11357 |
| 6. Center Bolt (Dia. 1 1/8") | 11358 |
| 7. Snap Ring | 11359 |
| 8. Tip Protector | P13/16 |

*Optional accessories are also available

Speed. Strength. Safety. Speed. Strength. Safety. Speed. Strength. Safety. Speed. Strength. Safety.

PMI6 PARTS BREAKDOWN



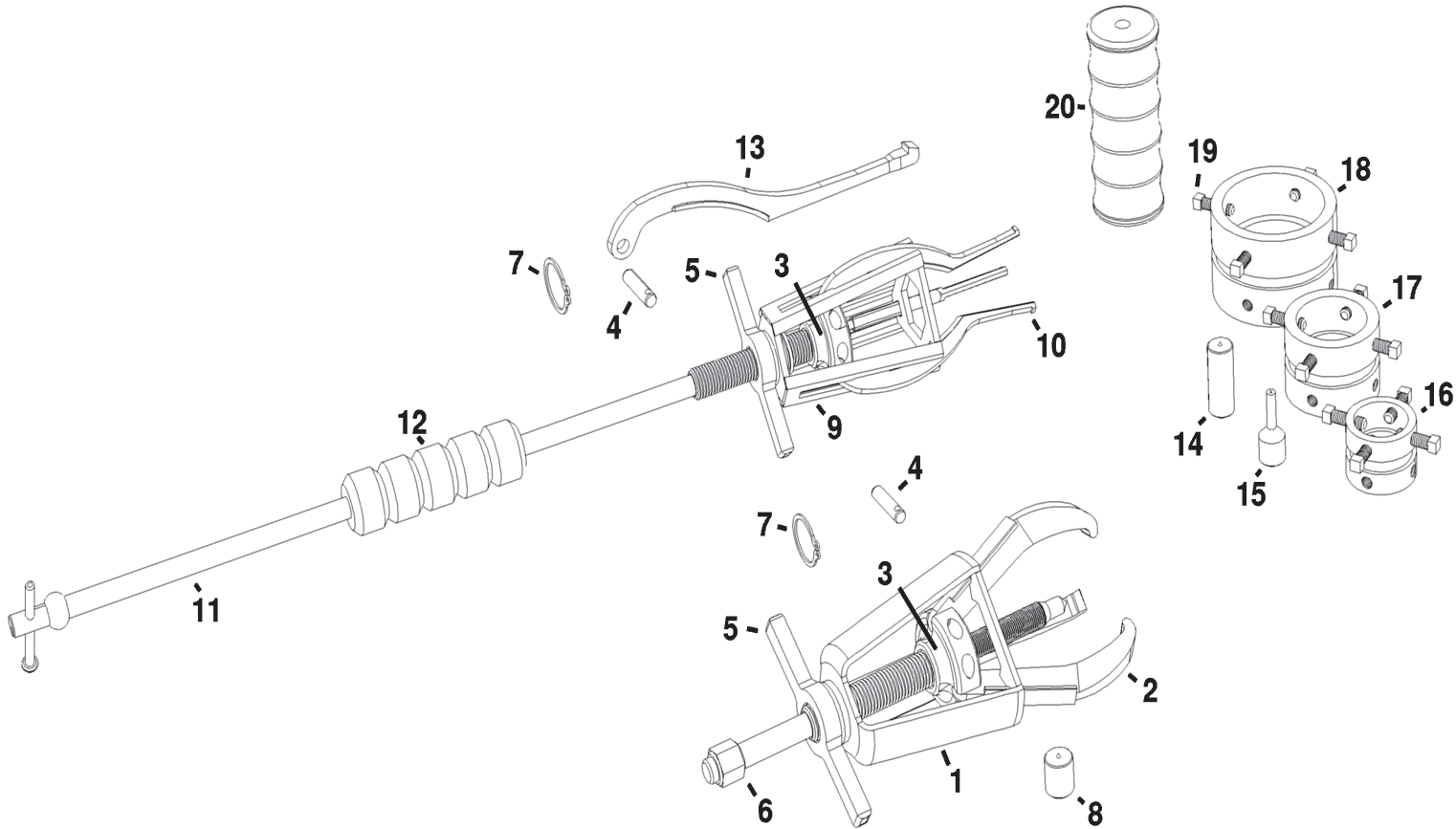
For more information, contact your Posi Lock Sales Executive:

Robin Eckman
701-797-2600 | robin@posilock.com

All Posi Lock Pullers are parts replaceable. See part numbers below.

| Description | Part # |
|-------------------------------------|--------|
| 1. Cage® - Jaw | 10553 |
| 2. Jaw | 10554 |
| 3. Jaw Head Assembly - 3 Jaw | 10455 |
| 4. Pin | 10456 |
| 5. T-Handle | 10457 |
| 6. Slide Rod | 10561 |
| 7. Slide Hammer (2.5lb) | 10562 |
| 8. Slide Hammer (5lb). | 10563 |
| 9. Snap Ring | 10459 |
| 10. Long Jaw | 10554L |

TB1045 PARTS BREAKDOWN



All Posi Lock Pullers are parts replaceable. See part numbers below.

| Description | Part # |
|------------------------------|--------|
| 1. External Cage® - 3 Jaw | 10453 |
| 2. External Jaw | 10454 |
| 3. Jaw Head Assembly - 3 Jaw | 10455 |
| 4. Pin | 10456 |
| 5. T-Handle | 10457 |
| 6. Center Bolt (Dia. 9/16") | 10458 |
| 7. Snap Ring | 10459 |
| 8. Tip Protector | P4 |
| 9. Internal Cage® - 3 Jaw | 10553 |
| 10. Internal Jaw | 10554 |

| Description | Part # |
|----------------------------|--------|
| 11. Slide Rod | 10561 |
| 12. Slide Hammer (2.5lb) | 10562 |
| 13. Long Jaw | 10554L |
| 14. Bolt Extender | X4 |
| 15. Tip Reducer/Extender | HP-70 |
| 16. Small Hub Puller | HP-30 |
| 17. Large Hub Puller | HP-40 |
| 18. Extra large Hub Puller | HP-50 |
| 19. Square Head Set Screw | HP-60 |
| 20. Slide Hammer (5lb) | 10563 |

For more information, contact your Posi Lock Sales Executive:

Robin Eckman

701-797-2600 | robin@posilock.com

Safety. Speed. Strength. Safety. Speed. Strength. Safety. Speed. Strength. Safety. Speed. Strength. Safety. Speed. Strength. Safety. Speed. Strength. Safety.