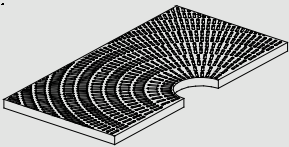




# assembly instructions

## 4' x 4' TREE GRATE · TSB44

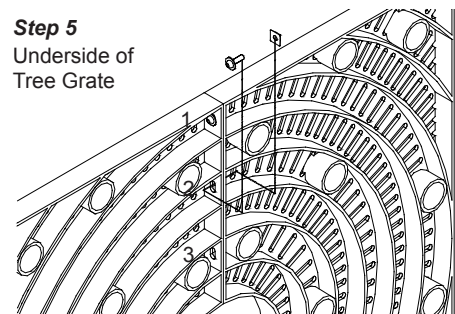
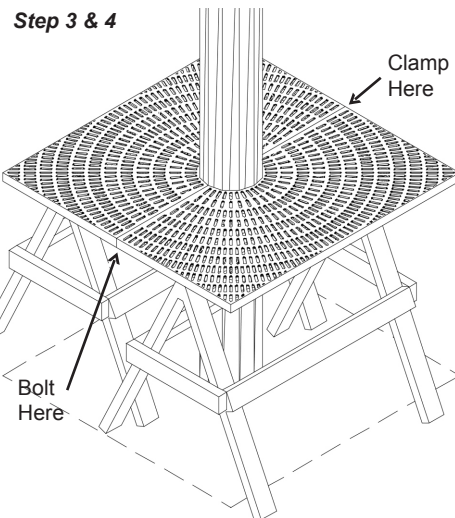
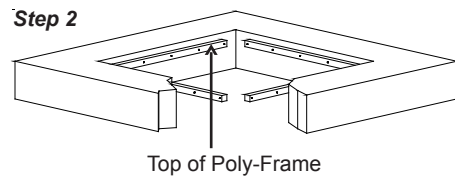
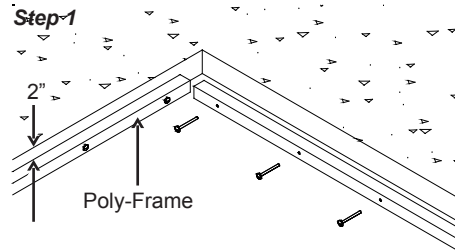
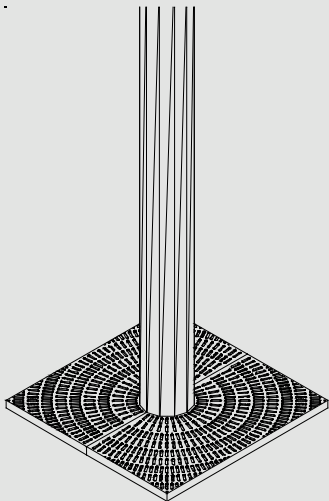
### COMPONENTS



- (2) 48" x 24" Tree Grate Panels
- (6) Bolts
- (6) Washers
- (6) Tamper-resistant Nuts
- (4) Poly-Frame\*
- 1-1/2" x 1-1/2" Support
- (16) Poly-Frame Bolts

\*Poly-Frame is Optional

### FULLY ASSEMBLED



### STEP 1 (Poly-Frame is Optional)

#### Poly Frame Installation

To install Poly-Frame, bolt each 1-1/2" x 1-1/2" plastic support 2" from the top of sidewalk where tree grate will be placed.

### STEP 2

#### Coarse Aggregate

After planting tree, fill pit with coarse aggregate until it is even with top of Poly-Frame.

### STEP 3

#### Set-Up

To aid in suspending the tree grate, place (2) 4' x 4' half tree grate panels on two saw horses with centers going around the tree. (Other methods of suspension may be used as an alternative.)

### STEP 4

#### Begin Bolting

Using the allen wrench provided, bolt half of the tree grate together starting from the outside edge and continuing toward the tree using three of the bolts from the bolt kit. Make sure all edges are lined up as the bolts are tightened.

### STEP 5

#### Finish Bolting

Place a clamp or vise-grip on the outside edge of the tree grate opposite the end that was bolted in Step 4. Start bolting the second half of the tree grate starting from the outside edge and continuing toward the tree using the remaining bolts from the bolt kit. Make sure all edges are lined up as bolts are tightened.