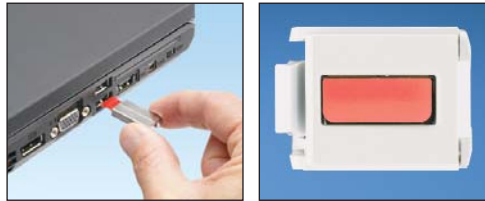


# USB Type 'A' Blockout Devices

## specifications

The USB Type 'A' blockout devices shall work with USB 2.0 and USB 3.0 Type 'A' ports. There shall be two options available: a removable device and a permanent device. Each design shall block one USB Type 'A' port, keeping it secure and reducing the risk of viruses being loaded and unauthorized data being removed through the USB port. They shall be utilized in any data application, especially with computers, switches, and other hardware that use USB Type 'A' adapters. The permanent blockout device shall only be used if the port is never to be used again; **there is no tool to release this device.**



## technical information

<b>Material removable device:</b>	Polycarbonate and Stainless Steel (302)
<b>Material permanent device:</b>	Glass-Filled Nylon
<b>Temperature range:</b>	-30°F to 200°F (-35°C to 93°C)
<b>RoHS compliant:</b>	Compliant
<b>Halogen free:</b>	Yes

## key features and benefits

<b>Tamper-resistant</b>	Blockout devices block unauthorized access to USB Type 'A' ports, to provide additional security from viruses being loaded and data being removed through the USB port
<b>Compliant with USB 2.0 &amp; USB 3.0</b>	Device fits USB 2.0 and USB 3.0 Type 'A' ports
<b>Compact, low profile design</b>	Can be installed without interfering with adjacent USB ports
<b>Removal tool</b>	PSL-USBA device may only be released with the special removal tool, ensuring the safety and security of your network infrastructure

## applications

The USB Type 'A' blockout devices are inserted into an USB Type 'A' port to block access to prevent damage and unauthorized access to data. These USB 2.0 and USB 3.0 compliant, tamper-resistant devices fit both types of USB Type 'A' ports and will help save time and money associated with data security breaches, network downtime, infrastructure

repair and hardware replacement. Panduit<sup>®</sup> USB Type 'A' blockout devices provide an economical way to block unauthorized access at a physical layer to USB Type 'A' ports in computers, switches, and other hardware devices to reduce the risk of unintentional or intentional damage.

### USB Type 'A' Blockout Devices

**Standard package<sup>^</sup>:** PSL-USBA  
**Bulk package<sup>^</sup>:** PSL-USBA-L

### Permanent USB Type 'A' Blockout Device

**Standard package<sup>^</sup>:** PSL-PERM-USBA

### Mini-Com<sup>®</sup> USB Coupler

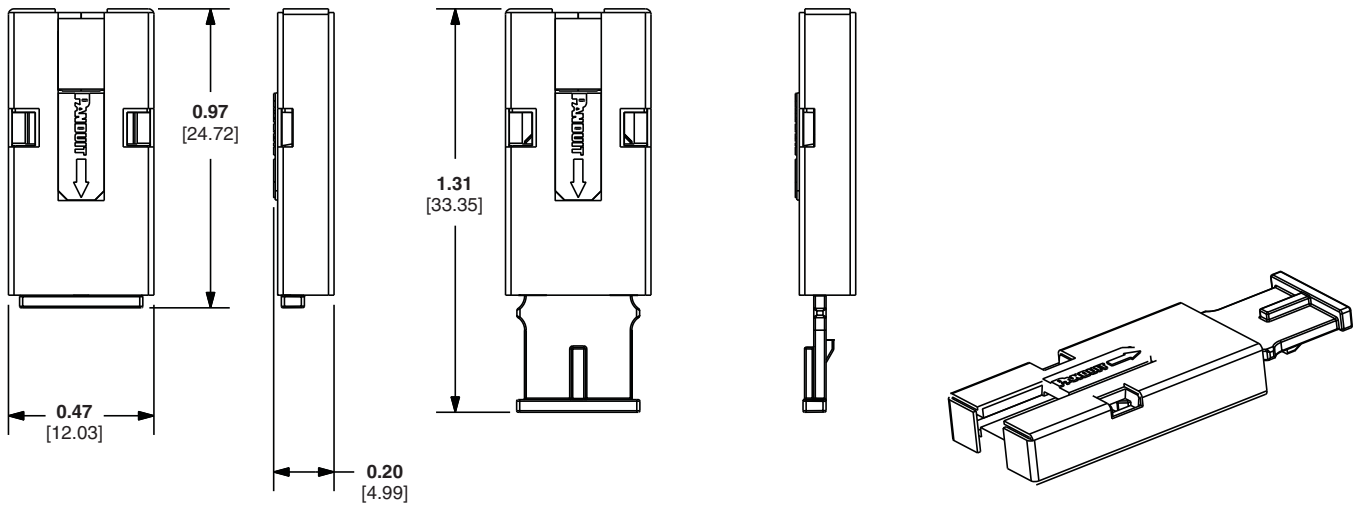
**Female A to female A:** CMUSBAAIW\*

For additional Lock-In and Blockout Devices, visit [www.panduit.com](http://www.panduit.com), or contact customer service.

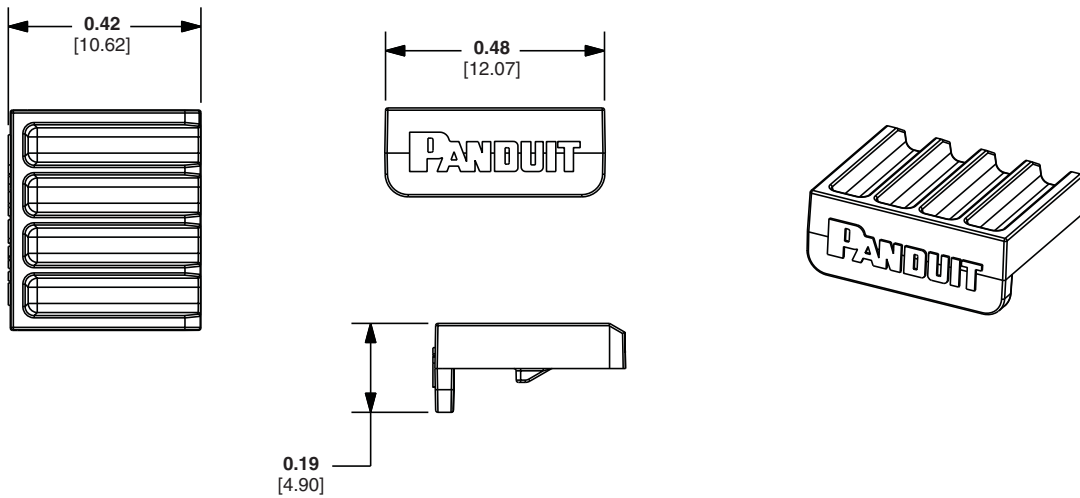
<sup>^</sup>PSL-USBA Standard Package includes five blockout devices and one removal tool. PSL-USBA-L Bulk Package includes 50 blockout devices and five removal tools. PSL-PERM-USBA Standard Package includes ten blockout devices.

\*For standard colors other than IW (Off White), replace IW in part number with EI (Electric Ivory), WH (White), IG (International Gray), or BL (Black).

# USB Type 'A' Blockout Devices



## \*Permanent USB Type 'A' Blockout Device



\*PSL-PERM-USBA device permanently blocks one USB Type 'A' port; NO REMOVAL TOOL AVAILABLE

Dimensions are in inches. [Dimensions in brackets are metric].