

Job: _____

Item: _____

Quantity: _____

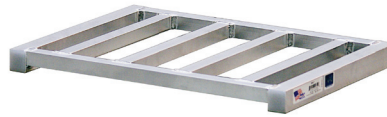
New Age Industrial Corp., Inc.

PO Box 520 • 16788 US Hwy 36 • Norton, Kansas 67654

Phone: 800-255-0104 • Fax: (877)-877-7687 • www.NewAgeIndustrial.com

#99627 - HAND TRUCK PALLET

- Labor saving pallet allows movement of product without loading and unloading.
- Eliminates hand truck nose plate from scratching floors.
- All welded, lightweight aluminum construction.
- Designed to reduce damaged product.
- Ideal for route delivery trucks.
- Lifetime Guarantee against rust and corrosion.



#99627



This information is for general sales and engineering use only. New Age Industrial reserves the right to modify or make changes at any time without notice to materials and specifications.



Distributed by:



Job: _____

Item: _____

Quantity: _____

New Age Industrial Corp., Inc.

PO Box 520 • 16788 US Hwy 36 • Norton, Kansas 67654

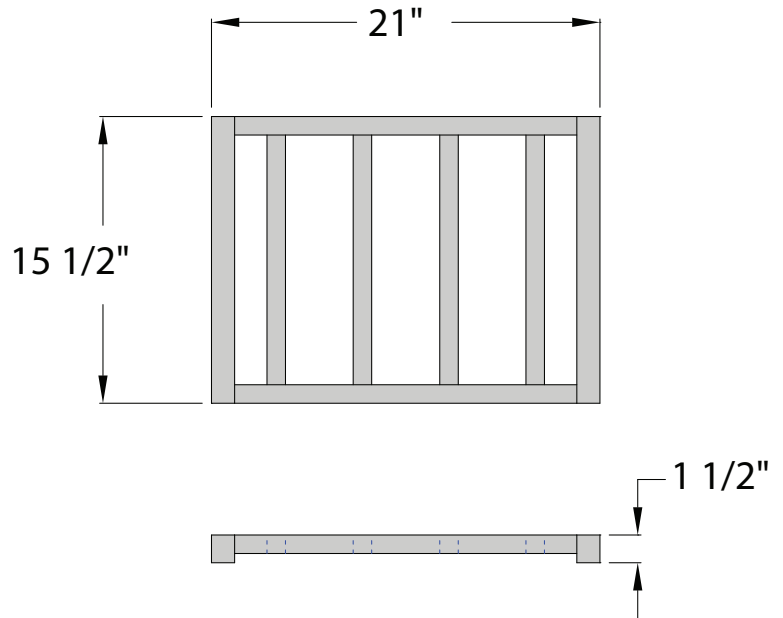
Phone: 800-255-0104 • Fax: (877)-877-7687 • www.NewAgeIndustrial.com

#99627 - HAND TRUCK PALLET

MATERIAL:

Outside rails are constructed out 1-1/4" x 1-1/2" x .070" wall tubing. Interior framework is constructed out of 1" x 1" x .070" wall tubing.

LIFETIME GUARANTEE against rust and corrosion.



#99627

Model No.	Size W-H-D	Wt. Cap.	Ship Wt.
99627	21" x 1-1/2" x 15-1/2"	750#	3#

Nose Plate Opening = 18-1/2"W x 3/4"H
Custom sizes available.

This information is for general sales and engineering use only. New Age Industrial reserves the right to modify or make changes at any time without notice to materials and specifications.



Distributed by: