

27 UTILATWIN® Laundry Tub

Heavy Duty Structural Thermoplastic



Model 27 shown with optional faucet.

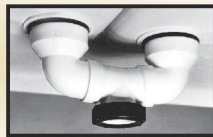
It's ideal for washing pets, cleaning dirty playground shoes, testing a science project or serving as a plant washing station...and that's just the start of its uses. Few homeowners would dispute the value of a well-made laundry/utility tub. And since 1960, E.L. Mustee & Sons, Inc. has put more quality-built laundry/utility tubs into American homes than any other brand.

Features:

- High-strength, one-piece molded construction
- Produced with Mustee's proprietary structural thermoplastic resins and innovative cellular molding process creating extreme strength & durability
- Includes Twin-Drain Waste connector which joins drain assemblies to assure rapid and uniform waste water discharge...includes washers, slip nuts and stoppers.
- Divider wall between tubs is recessed one inch, permitting water to overflow from one tub to other, prevents water spilling onto floor.
- Large, self-draining back shelf with retainer curb that prohibits water run-off except into tub.
- 19-Gallon capacity per tub, extra deep 13" tubs with smooth surfaces
- Connects to standard 1½" P or S-Trap
- Accommodates single or dual-handle faucets, 4" or 8" centers
 - Floor model includes heavy gauge steel legs with adjustable levelers
 - Wall model includes wall mounting bracket, side supports and mounting hardware for securing tub to concrete or stud wall
- Mold and mildew-resistant components
- Easy to assemble and install
- Colorfast white finish

Design Features

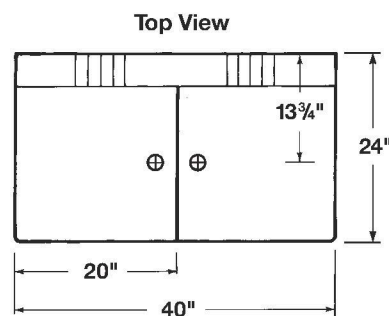
Twin drain assembly (included) attaches to standard 1½" P-Trap



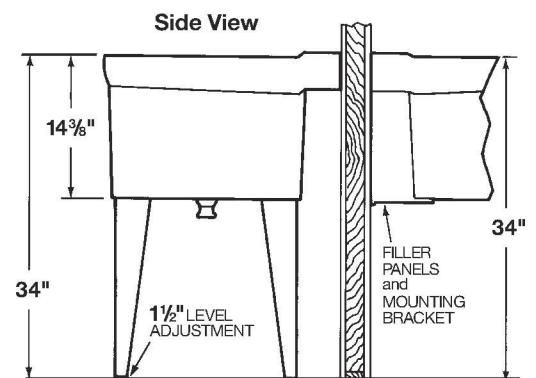
Recessed tub divider minimizes the risk of overflow.

Specifications




General: Furnish and install as show on plans, UTILATWIN® Laundry/Utility Tub Model ____ (27F or 27W) as manufactured by E.L. Mustee & Sons, Inc. Unit shall be one-piece molded construction using structural thermoplastic with matched metal molds under extreme heat and pressure. Complete drain assembly, twin drain waste coupling, recessed divider wall between tubs and floor or wall mounting hardware. Shall meet ANSI Specification Z 124.6. Polar White color. Install in compliance with local codes.



Model	Mounting	Model	Mounting
27F	Floor	27W	Wall



Code Compliance:

- American National Standards Institute (ANSI) Specification Z 124.6 
- International Assn. of Plumbing and Mechanical Officials (IAPMO®) Listed file #0820 
- Warnock Hersey® CSA #845.0 and #845.5 

Companion Products

Ordered separately



Faucet Block
Designed for use with
overhead water supply.
Model 20.600



Faucet
6" swing spout
with aerator.
Model 93.600