



HEAT STRESS

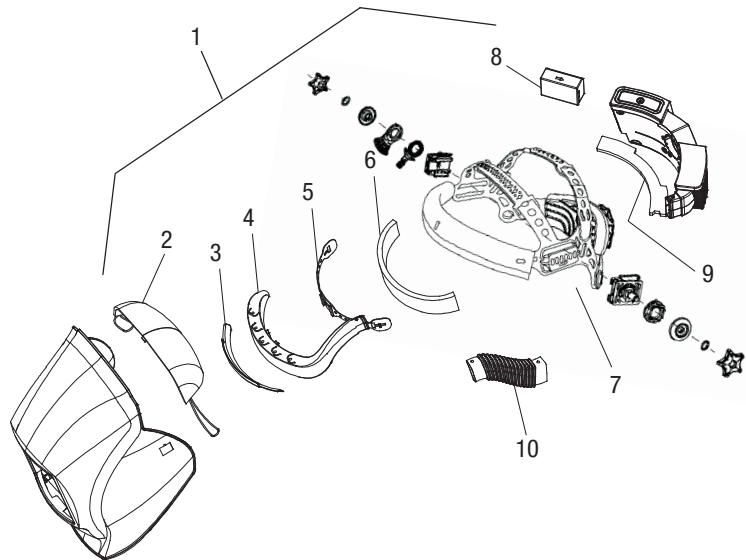


NEW! CoolBand II™

Integrated Headgear Cooling System Provides All-Day Comfort

- At least 8°F cooler under the hood
- New improved headgear for increased comfort
- Strategically placed air vents reduce lens fogging and remove stagnant air
- Lightweight Lithium Polymer rechargeable battery delivers maximum battery life.
- Oversized power button
- Slim, balanced design
- Compatible with most Miller helmets*

** Not compatible with XL Series™, Classic VS™, Titanium 1600™ or 9400™ helmets*



CoolBand II™ Service Parts/Consumables

| Item # | Part # | Description | Quantity |
|--------|---------|---|----------------|
| 1 | 261 970 | CoolBand II (entire system - helmet not included) | 1 |
| 2 | 261 971 | Shroud, head | 1 |
| 3 | 243 930 | Deflector, air | 1 |
| 4 | 261 972 | Manifold | 1 |
| 5 | 261 973 | Bracket, manifold | 1 |
| 6 | 770 249 | Headband, fabric | 1 |
| 7 | 261 974 | Headgear set (includes all knobs, headband, screws, and manifold bracket) | 1 |
| 8 | 243 927 | Battery, rechargeable lithium polymer | 1 |
| 9 | 243 932 | Filter | 1 (10 per pkg) |
| 10 | 261 975 | Tubing, stretch | 1 |
| | 261 976 | Charger, Battery | 1 |

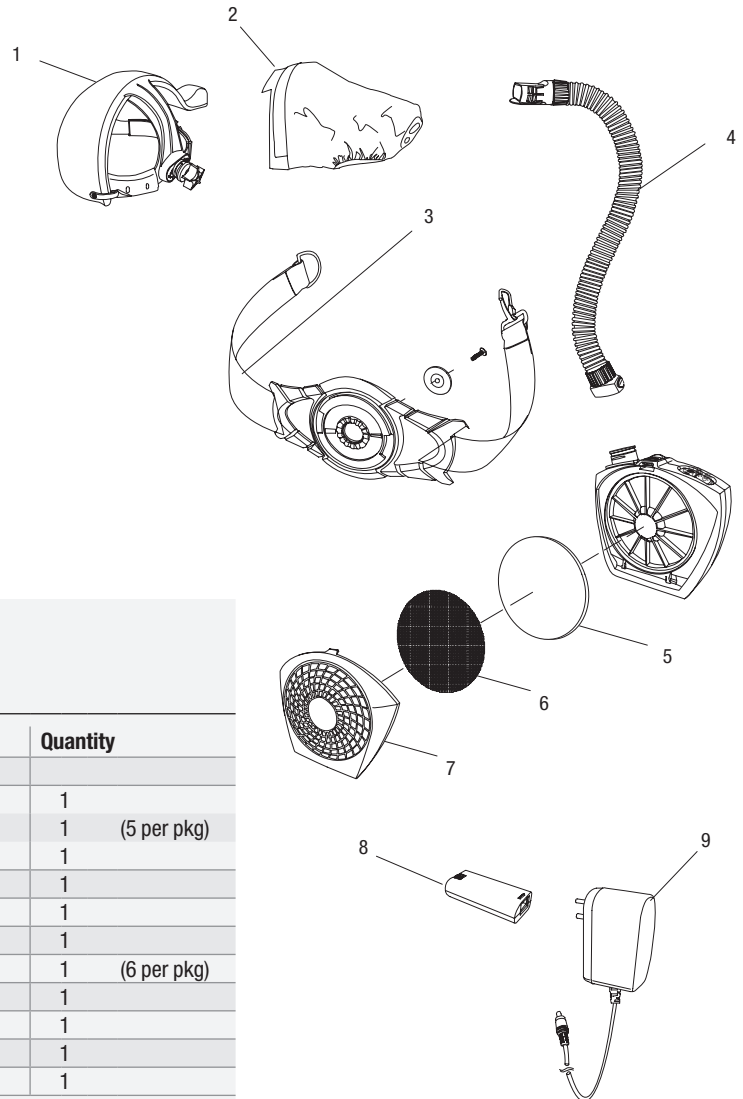


CoolBelt™

Belt Mounted Cooling System Provides All-Day Comfort through Maximized Airflow Power

- Up to 17°F cooler under the hood
- Constant air movement eliminates stagnant air and reduces fogging
- Lightweight Lithium Ion rechargeable battery delivers maximum battery life
- Dual Air Speeds provide airflow adjustability
- Swivel Quick Connect enhances user mobility
- Lightweight design extends wearability
- Compatible with most Miller helmets*

**Not compatible with XL Series™ helmets*



CoolBelt™ Service Parts/Consumables

| Item # | Part # | Description | Quantity |
|--------|---------|---------------------|---------------|
| 1 | 245 230 | CoolBelt unit | 1 |
| | 245 235 | Headgear (includes) | 1 |
| | 079 975 | Replacement O-rings | 1 (5 per pkg) |
| | 770 249 | Fabric headband | 1 |
| 2 | 245 236 | Head shroud (hood) | 1 |
| 3 | 245 232 | Belt | 1 |
| 4 | 245 231 | Hose assembly | 1 |
| 5 | 245 233 | Filter | 1 (6 per pkg) |
| 6 | 247 921 | Spark Arrestor | 1 |
| 7 | 245 234 | Filter cover | 1 |
| 8 | 245 237 | Battery, blower | 1 |
| 9 | 245 238 | Charger | 1 |