



ABANAKI
CORPORATION

17387 Munn Road
Chagrin Falls, OH 44023
Phone: (440) 543-7400
Fax: (440) 543-7404
1-800-358-SKIM (7546)
www.abanaki.com

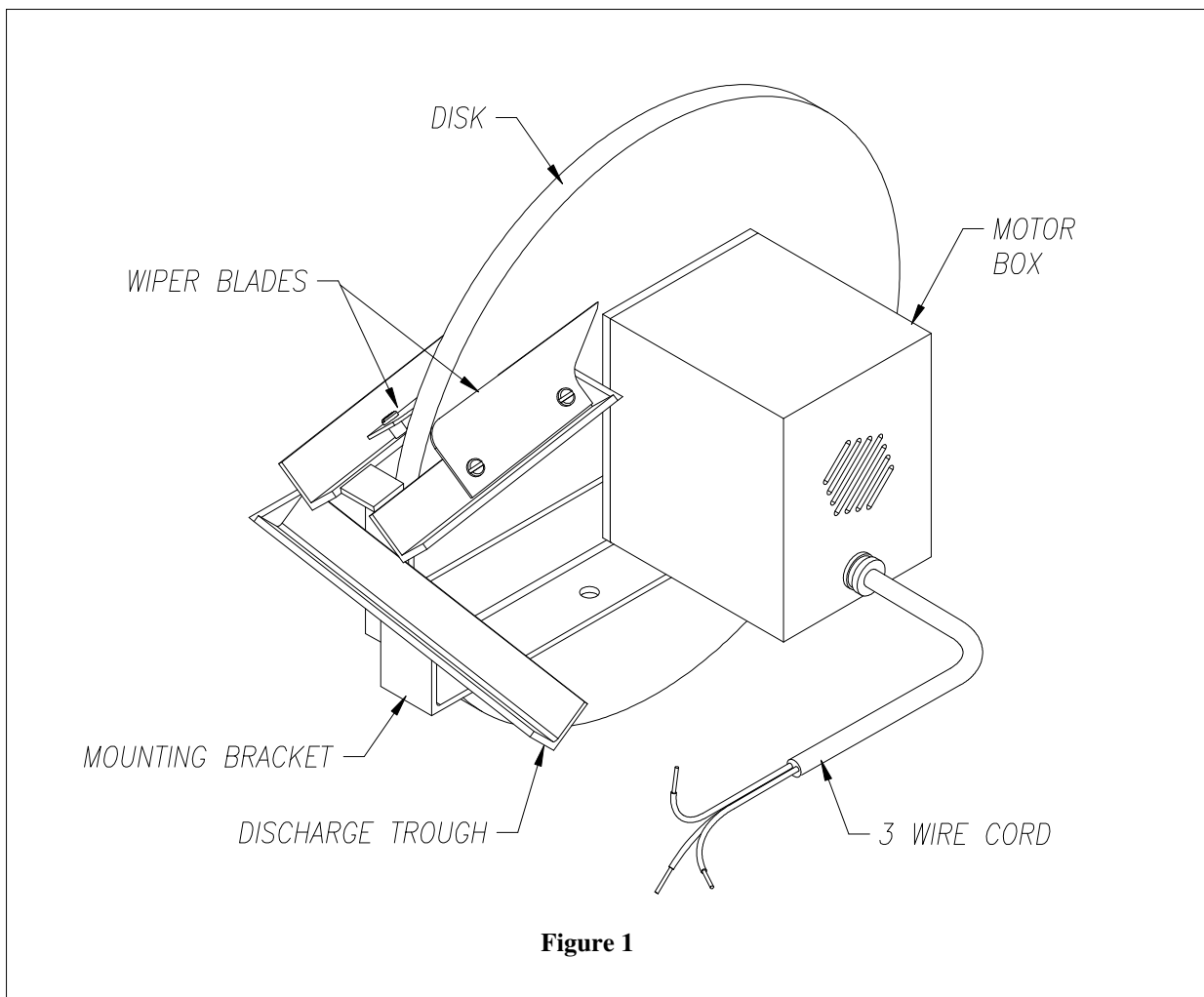
Mighty Disk[®] 12" 220volt Oil Skimmer

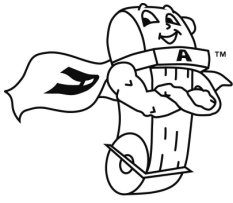
Installation/Parts List

Step 1. Mount your Abanaki Mighty Disk[®] Oil Skimmer on a flat surface using the two holes in the mounting bracket. (See Figure 1) Note: The Bottom of the Disk must be in the liquid to be skimmed.

Step 2. Place a suitable collection container under the discharge end of the discharge trough.

Step 3. Wire appropriate plug onto provided 3 wire cord and plug into a grounded outlet.



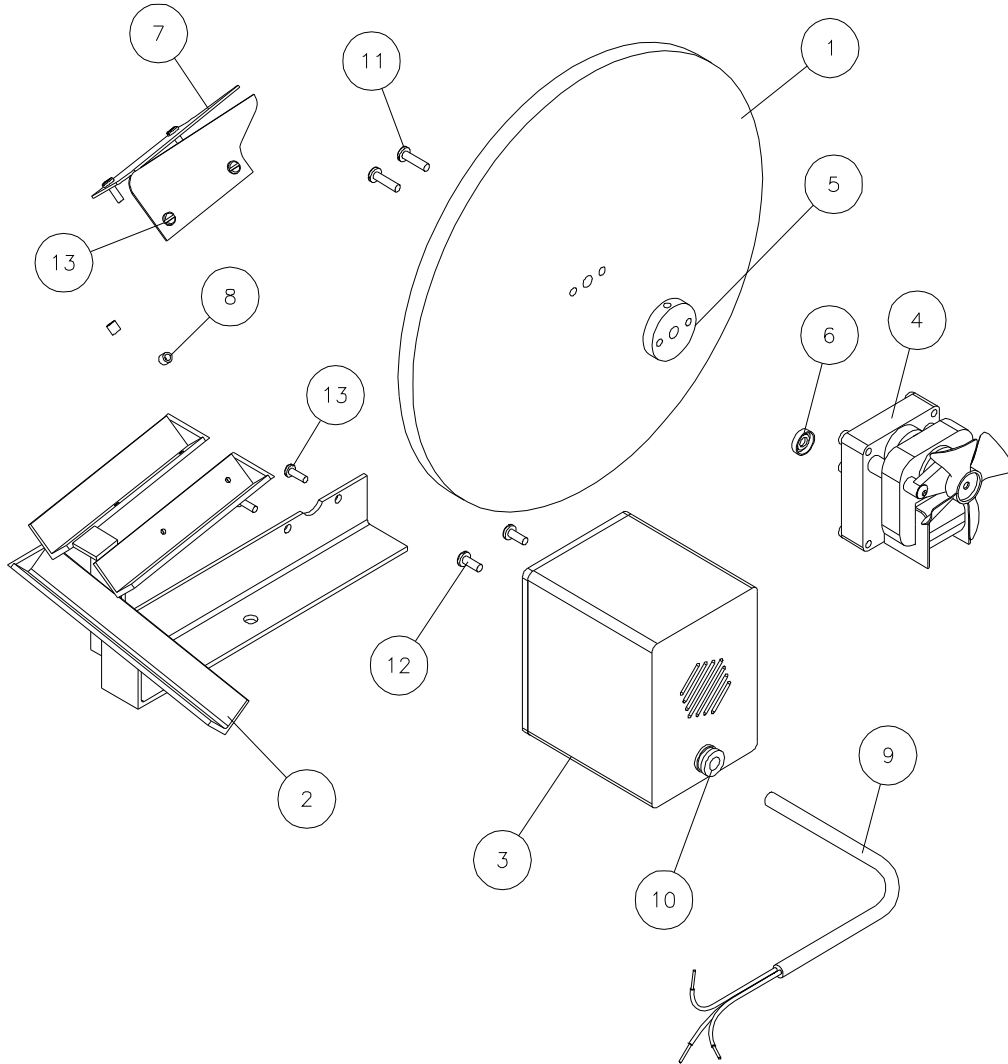


ABANAKI
CORPORATION

17387 Munn Road
Chagrin Falls, OH 44023
Phone: (440) 543-7400
Fax: (440) 543-7404
1-800-358-SKIM (7546)
www.abanaki.com

Mighty Disk® 12” 220volt Oil Skimmer

Installation/Parts List



Item	Qty.	Description	Part Number
1	1	Disk	PMD-12
2	1	Discharge Trough Base	PMD-01A
3	1	Motor Box	PLB-04
4	1	Motor, 220volt	M13-D
5	1	Motor Shaft Disk Plate Hub	PMD-22A
6	1	Motor Shaft Seal	PMM-42
7	1	Wiper Blade Set (2)	PMD-09A
8	2	Wiper Blade Spacer	PMD-09AS
9	1	8' – 3 Wire Cord (No Plug)	E20A
10	1	Cord Grip	P200A
11	2	#10-32 x 3/4" Lg. PH Screw	N/A
12	2	#8-32 x 5/16" Lg. PH Screw	N/A
13	6	#8-32 x 1/2" Lg. PH Screw	N/A