

# Parts List

---

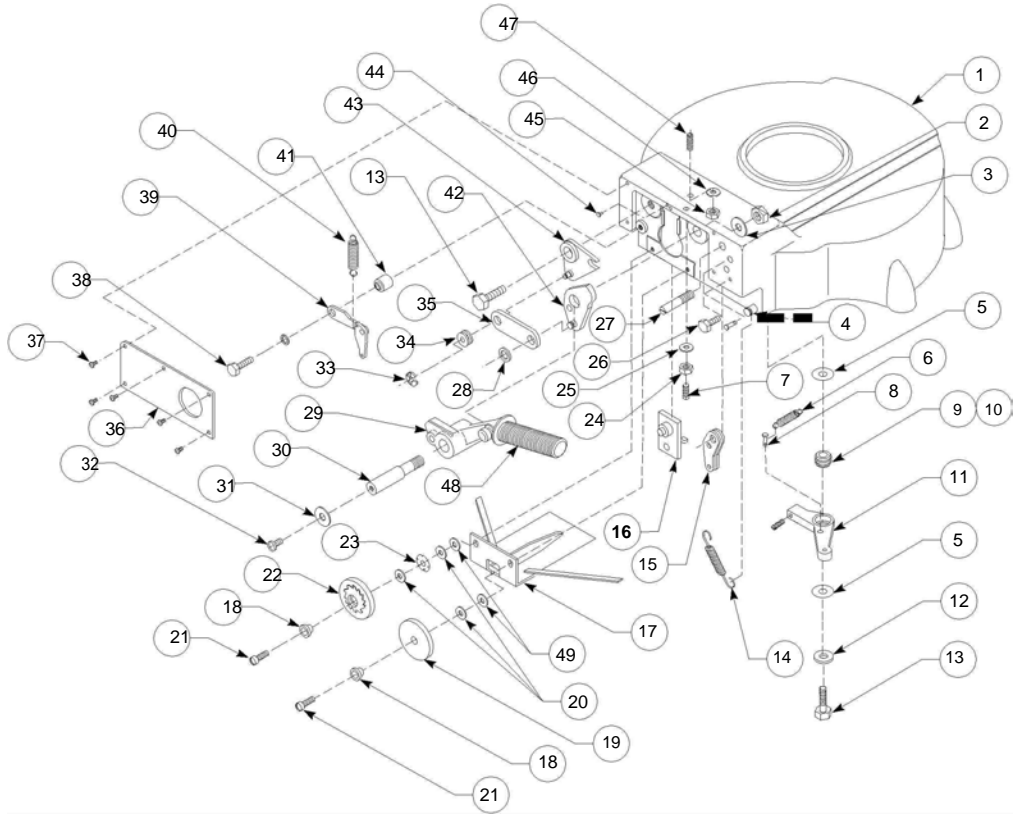
The following pages show the Hand Stencil Machine and the corresponding numbers for repair parts. Please order your replacement parts by requesting the part number shown. Please also note the quantity provided in each package and the specific part number necessary for your machine.

## Stencil Machine Assembly, see page 33

Description	Part Number	Quantity per kit
1. Screw, phillips truss head	RP32A	5
2. Dial blank, manual	RP32	1
3. Holder, dial	RP08	1
4. Screw, set square head	RP08B	5
5. Washer	RP1503C	5
6. Screw, cap head hex	RP04A	5
7. Wheel assy, hand	RP07X	1
8. Hood (1/4", 1/2", 3/4")	RP02-SHQ	1
Hood (1")	RP02-R	1
9. Base, with shaft and plate 1/2"	RP01X-H	1
Base, with shaft and plate 3/4"	RP01X-S	1
Base, with center shaft 1"	RP01X-R	1
Base, with shaft and plate 1/4"	RP01X-Q	1
10. Cap, hex head (1/4", 1/2", 3/4")	RP01A-SHQ	5
Cap, hex head (1")	RP01A-R	5

## Front Assembly, see page 35

Description	Part Number	Quantity per kit
1. Hood (1/4", 1/2", 3/4")	RP02-SHQ	1
Hood (1")	RP02-R	1
2. Nut, hex	RP22A	5
3. Washer, lock internal tooth	RP22B	5
4. Stud, spring	RP37	1
5. Washer	RP35SW	5
6. Spring, centering arm	RP30S	2
7. Screw, set square head	RP47	5
8. Pin, release button	RP18B	1
9. Arm liner, assy centering	RP35A	1
10. O-ring	RP35B	5
11. Arm assy, centering (1/4", 1/2", 3/4")	RP30X-SHQ	1
Arm assy, centering (1")	RP30X-R	1
12. Washer	RP35W	5
13. Screw, cap hex head	RP09A	5
14. Spring, handle	RP37S	1
15. Rocker assy, centering	RP28	1
16. Plunger assy	RP31	1

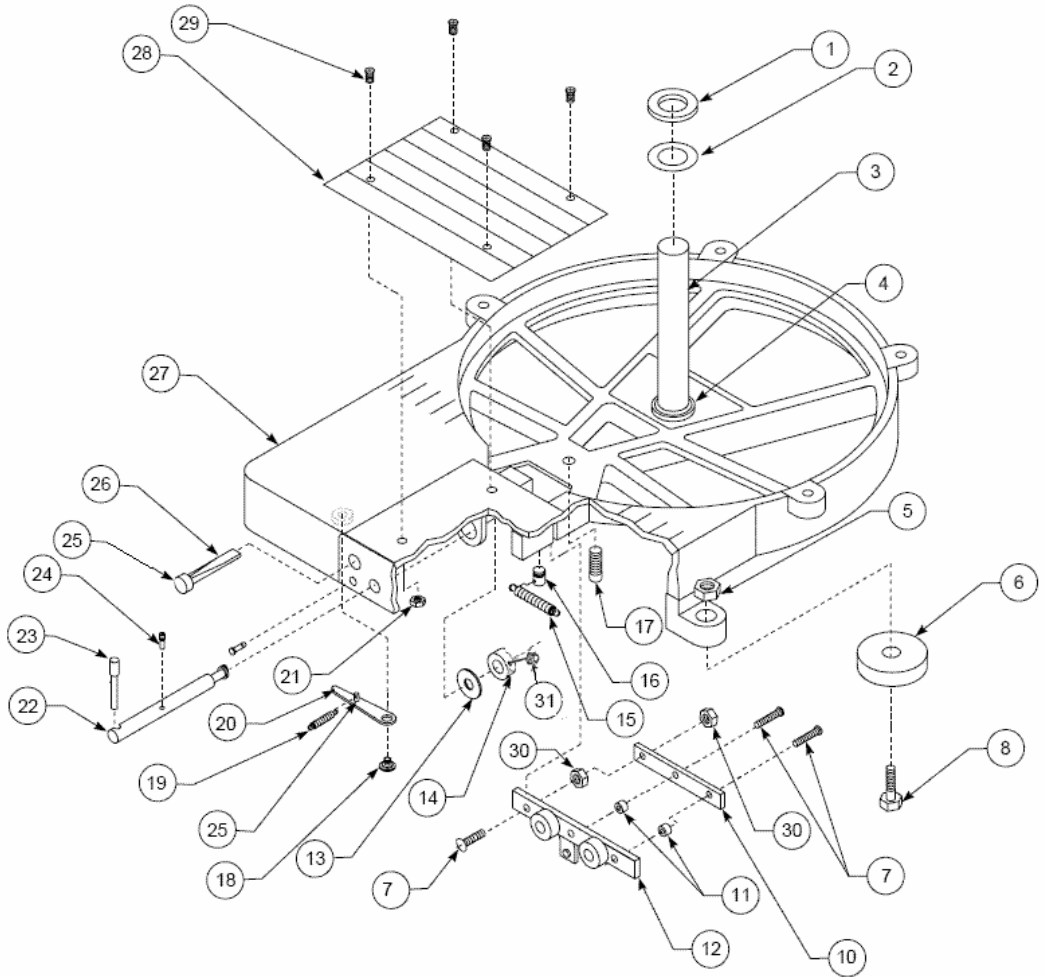


# Parts List

---

Front Assembly,  
see page 35  
(continued)

Description	Part Number	Quantity per kit
17. Stripper assy (1/4", 1/2", 3/4", 1")	RP33	1
18. Bushing, feed wheel	RP23A	4
19. Wheel, feed right	RP23R	5
20. Washer, feed wheel	RP23W	5
21. Screw, slot flat head	RP38	5
22. Wheel assy, feed left (1/4")	RP23LB-Q	1
Wheel assy, feed left (1/2")	RP23LB-H	1
Wheel assy, feed left (3/4")	RP23LB-S	1
Wheel assy, feed left (1")	RP23LB-R	1
23. Washer, sprag spring	RP1611-AR	5
24. Nut	RP47A	1
25. Washer, lock integral tooth	RP47B	1
26. Stop, spacing	RP44	2
27. Stud, centering rocker	RP29	1
28. Washer, link pin right	RP13A	5
29. Handle, assy operating (1/4", 1/2", 3/4", 1")	RP20X	1
30. Shaft, handle	RP22	1
31. Washer	RP21	5
32. Screw, phillips pan head	RP06C-R	5
33. Ring, lock	RP3157	5
34. Follower, spacing cam	RP24	2
35. Link (1/4", 1/2", 3/4")	RP12- SHQ	1
Link (1" machine)	RP12-R	1
36. Cover plate, front	RP43	1
37. Screw, phillips pan head	RP43A	5
38. Screw, cap hex head	RP36B	5
39. Cam assy, spacing (1/4")	RP25-Q	1
Cam assy, spacing (1/2")	RP25-H	1
Cam assy, spacing (3/4")	RP25-S	1
Cam assy, spacing (1")	RP25-R	1
40. Spring, spacing finger	RP25S	2
41. Bushing, spacing cam	RP36	2
42. Cam assy, centering	RP10	1
43. Rocker assy	RP14	1
44. Stud, spring spacing	RP25E	5
45. Nut, hex jam	RP47A	5
46. Washer, lock integral tooth	RP47B	5
47. Screw, set (1/4", 1/2", 3/4")	RP48-SHQ	5
Screw, set (1")	RP48-R	5
48. Grip, Handle 7/8" Flangeless	RP27944	1
49. Washer	RPTC19	5

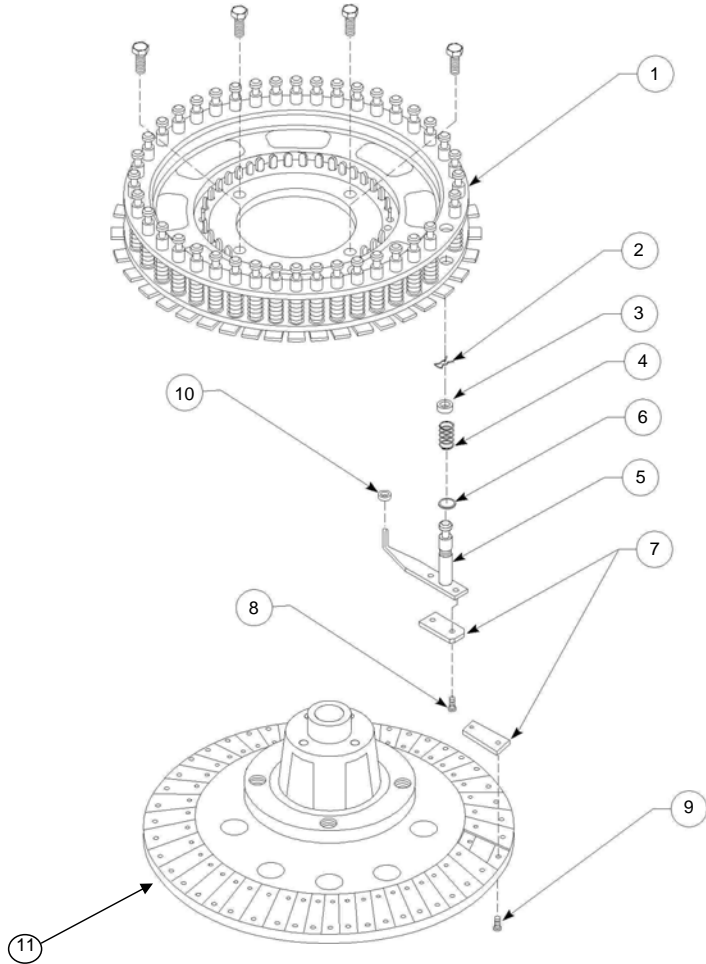


## Parts List

---

**Base Assembly,  
see page 37**

<b>Description</b>	<b>Part Number</b>	<b>Quantity per kit</b>
1. Washer	RP19W2	5
2. Washer	RP19W1	5
3. Shaft, center (1/4", 1/2", 3/4")	RP33101	1
4. Wick, center shaft oil	RP19A	5
5. Nut	RP51N	5
6. Foot, rubber	RP77	1
7. Screw, socket head 10-32x3/4 Grade 5	RP15GH	5
8. Screw, cap hex head	RP1503B	5
9. Screw, round head slotted	RP15G	5
10. Bar, adjustment	RP15C	1
11. Spacer	RP15D	5
12. Roller assy, lower feed	RP15	1
13. Washer	RP16W	5
14. Collar, spring stud	RP16E	5
15. Spring, lower feed roll	RP16S	2
16. Stud, spring	RP16D	2
17. Screw, set socket flat	RP42	5
18. Screw, stop pawl	RP18A	1
19. Spring, release button	RP17S	2
20. Pawl, stop	RP18	1
21. Nut, hex jam	RP01D-SHQ	5
22. Shaft assy, eccentric (1/4", 1/2", 3/4")	RP16-SHQ	1
Shaft assy, eccentric (1")	RP16-R	1
23. Cap, eccentric shaft handle	RP16G	5
24. Eccentric shaft stop pin	RP16A	2
25. Release button pin	RP18B	1
26. Button, release shaft	RP17	1
27. Base, with shaft and plate (1/4")	RP01X-Q	1
Base, with shaft and plate (1/2")	RP01X-H	1
Base, with shaft and plate (3/4")	RP01X-S	1
Base, with center shaft (1")	RP01X-R	1
28. Plate, table (1/4")	RP01PL-Q	1
Plate, table (1/2")	RP01PL-H	1
Plate, table (3/4")	RP01PL-S	1
29. Screw, phillips flat head (1/4", 1/2", 3/4")	RPJ500-0011-008	5
30. Nut, hex jam	RP15N	5
31. Screw, set cam grip	RP1110A	5



# Parts List

---

## Carriage Assembly, see page 39

Description	Part Number	Quantity per kit
1. Carrier, punch (1/4", 1/2", 3/4")	RP04-SHQ	1
Carrier punch (1")	RP04-R	1
2 Retainer, spring	RP27	5
3. Washer, felt (1/4", 1/2", 3/4")	RP78-SHQ	5
Washer, felt (1")	RP78-R	5
4. Spring, punch (1/4", 1/2", 3/4")	RP26S-SHQ	5
Spring, punch (1")	RP26S-R	5
5. Holder, punch and shank assy (1/4", 1/2", 3/4")	RP05X-SHQ	1
Holder, punch and shank assy (1")	RP05X-R	1
6. Washer, rubber (1/4", 1/2", 3/4")	RP26W-SHQ	5
Washer, rubber (1")	RP26W-R	5
7. Punch and die – set of 40 1/4" characters	RPQ5DP	1
Punch and die – set of 40 1/2" characters	RPH5DP	1
Punch and die – set of 40 3/4" characters	RPS5DP	1
Punch and die – set of 40 1" characters	RPR5DP	1
8. Screw, punch (1/4", 1/2", 3/4")	RP06B-SHQ	5
Screw, punch (1")	RP06B-R	5
9. Screw, die (1/4", 1/2", 3/4")	RP06C-SHQ	5
Screw, die (1")	RP06C-R	5
10. Washer, felt	RP79	5
11. Carrier, Die (1/4", 1/2", 3/4")	RP03-SHQ	1
Carrier, Die (1")	RP03-R	1