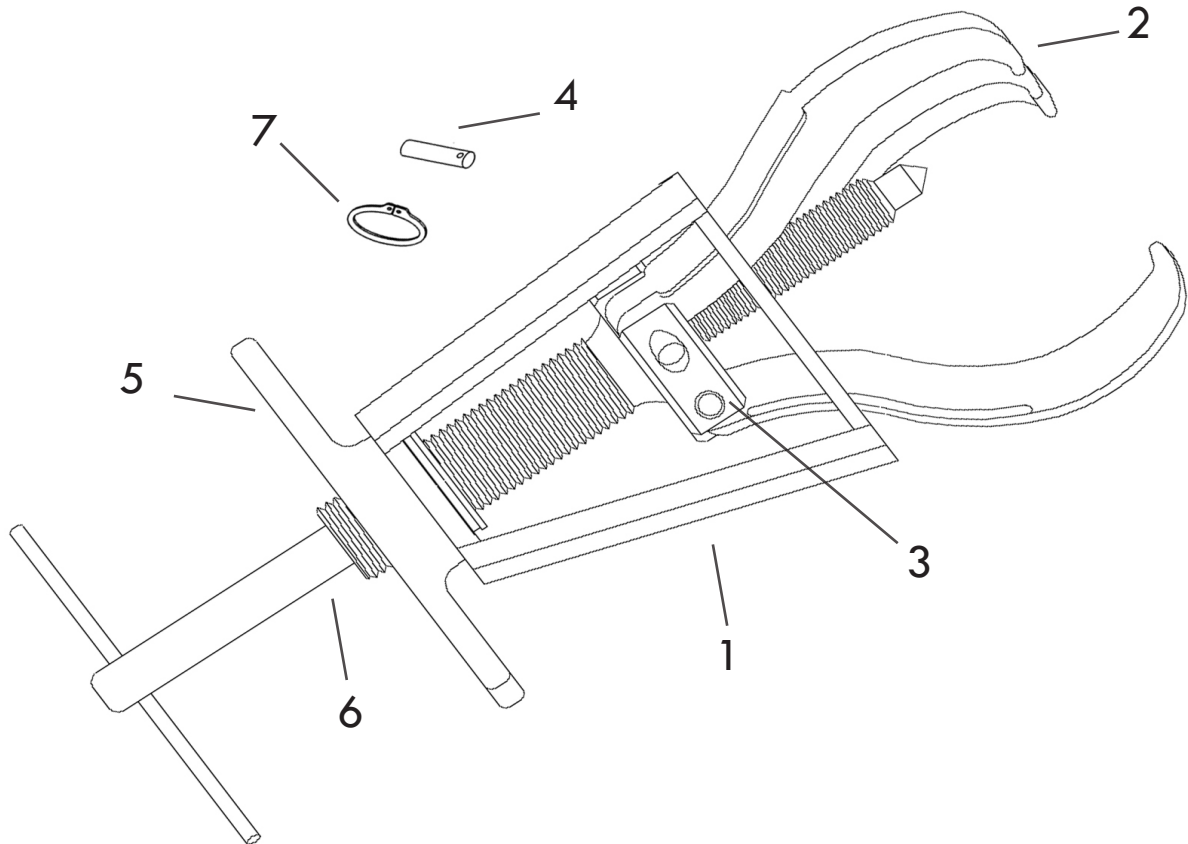




102 PARTS BREAKDOWN



For more information, contact
your Posi Lock Sales Executive:

Robin Eckman
701-797-2600 | robin@posilock.com

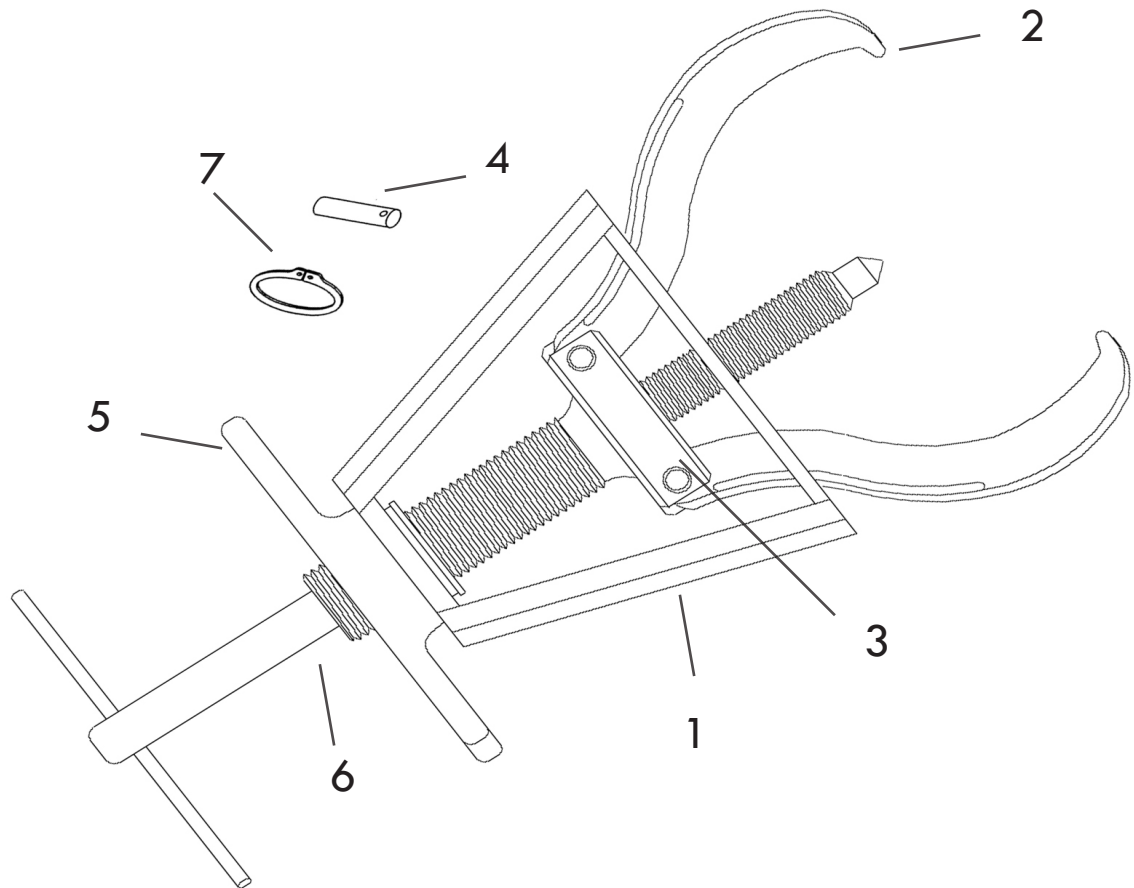


All Posi Lock Pullers are parts replaceable.
See part numbers below.

Description	Part #
1. Cage® - 3 Jaw	10253
2. Jaw	10254
3. Jaw Head Assembly - 3 Jaw	10255
4. Pin	10256
5. T-Handle	10257
6. Center Bolt (dia. 5/16")	10258
7. Snap Ring	10259

Safety. Speed. Strength. Safety. Speed. Strength. Safety. Speed. Strength. Safety. Speed. Strength. Safety. Speed. Strength. Safety. Speed. Strength. Safety.

202 PARTS BREAKDOWN



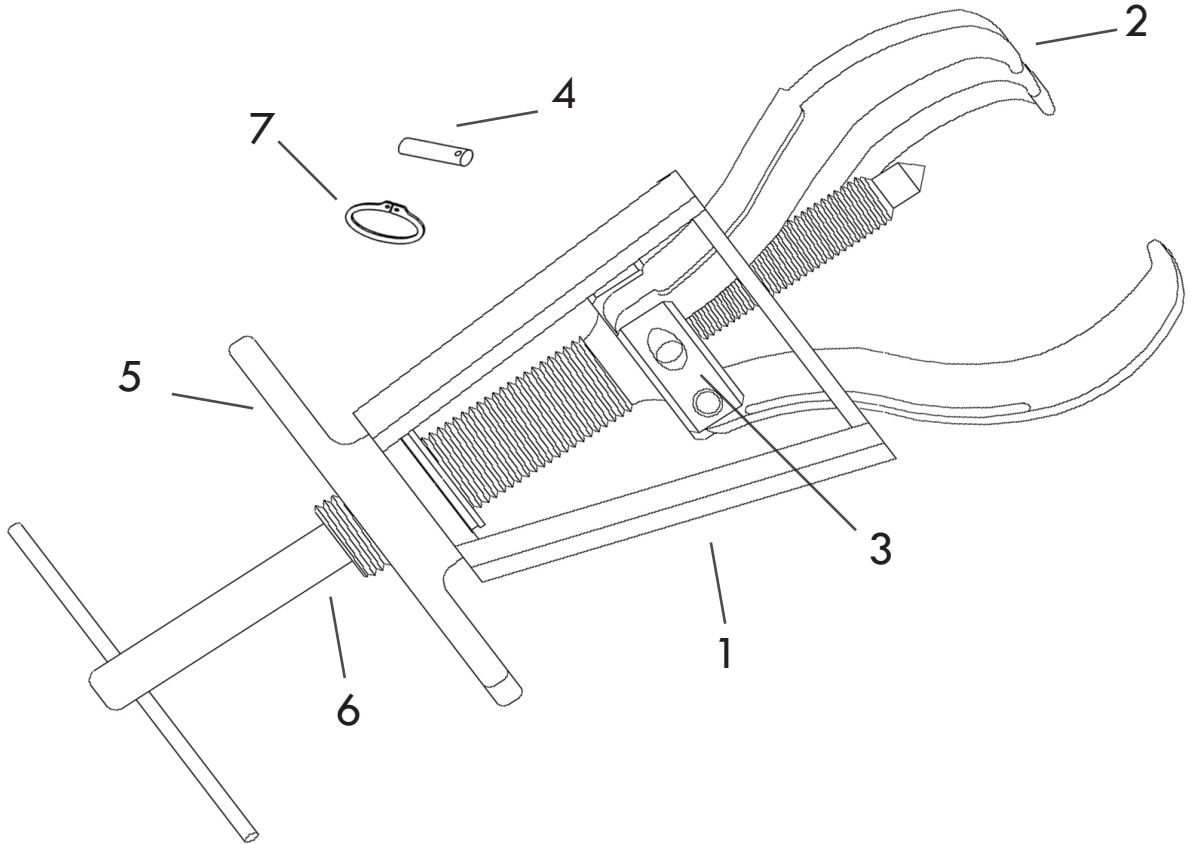
For more information, contact your Posi Lock Sales Executive:

Robin Eckman
701-797-2600 | robin@posilock.com

All Posi Lock Pullers are parts replaceable. See part numbers below.

Description	Part #
1. Cage® - 2 Jaw	20253
2. Jaw	10254
3. Jaw Head Assembly - 2 Jaw	20255
4. Pin	10256
5. T-Handle	10257
6. Center Bolt (dia. 5/16")	10258
7. Snap Ring	10259

103 PARTS BREAKDOWN



For more information, contact your Posi Lock Sales Executive:

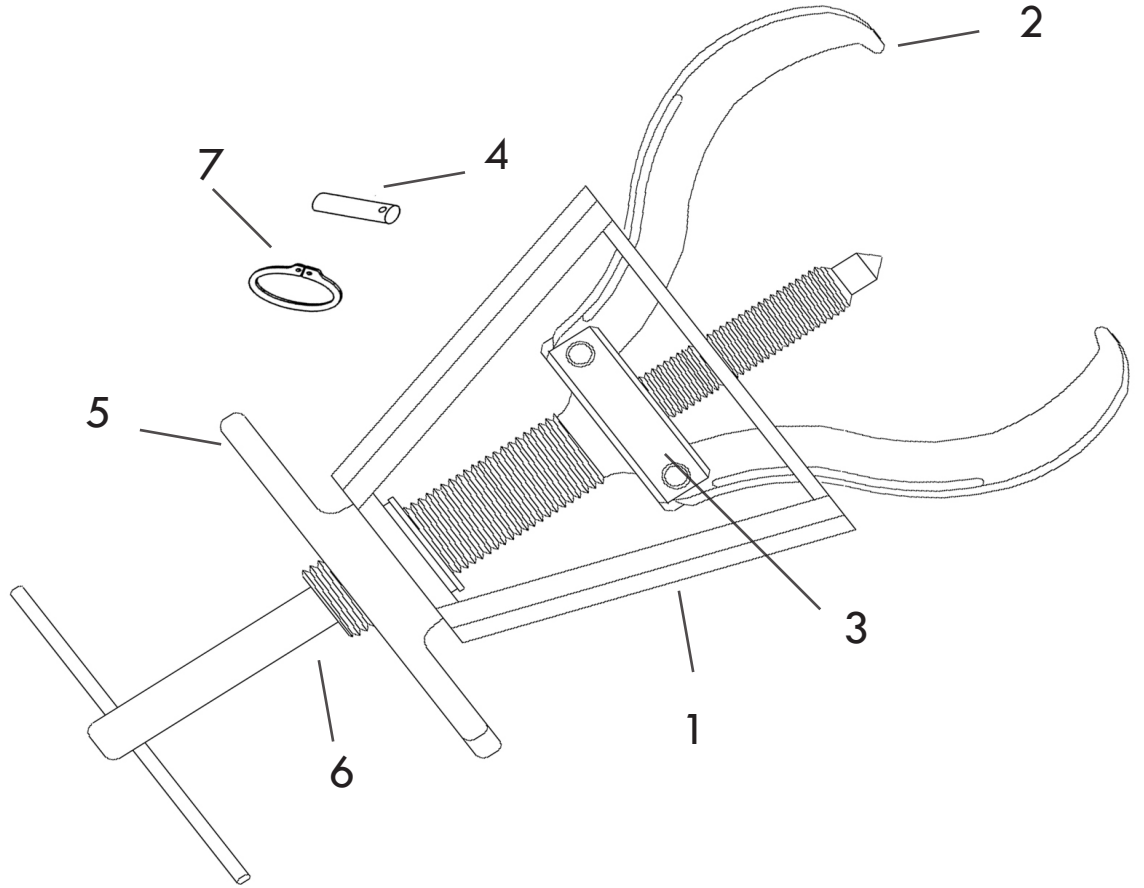
Robin Eckman

701-797-2600 | robin@posilock.com

All Posi Lock Pullers are parts replaceable.
See part numbers below.

Description	Part #
1. Cage® - 3 Jaw	10353
2. Jaw	10354
3. Jaw Head Assembly - 3 Jaw	10355
4. Pin	10356
5. T-Handle	10357
6. Center Bolt (dia. 3/8")	10358
7. Snap Ring	10359

203 PARTS BREAKDOWN



For more information, contact your Posi Lock Sales Executive:

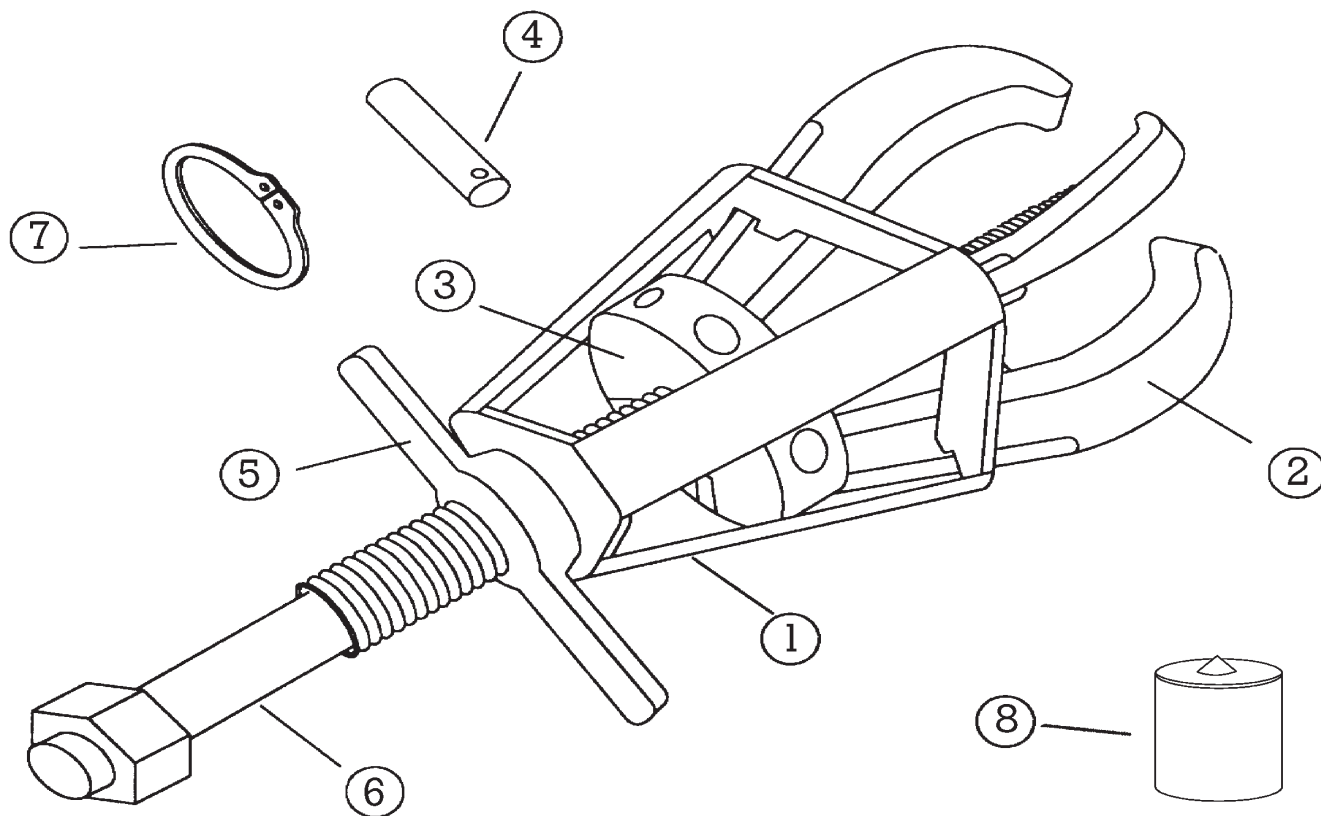
Robin Eckman
 701-797-2600 | robin@posilock.com

All Posi Lock Pullers are parts replaceable.
 See part numbers below.

Description	Part #
1. Cage® - 2 Jaw	20353
2. Jaw	10354
3. Jaw Head Assembly - 2 Jaw	20355
4. Pin	10356
5. T-Handle	10357
6. Center Bolt (dia. 3/8")	10358
7. Snap Ring	10359



104 PARTS BREAKDOWN



For more information, contact
your Posi Lock Sales Executive:

Robin Eckman

701-797-2600 | robin@posilock.com

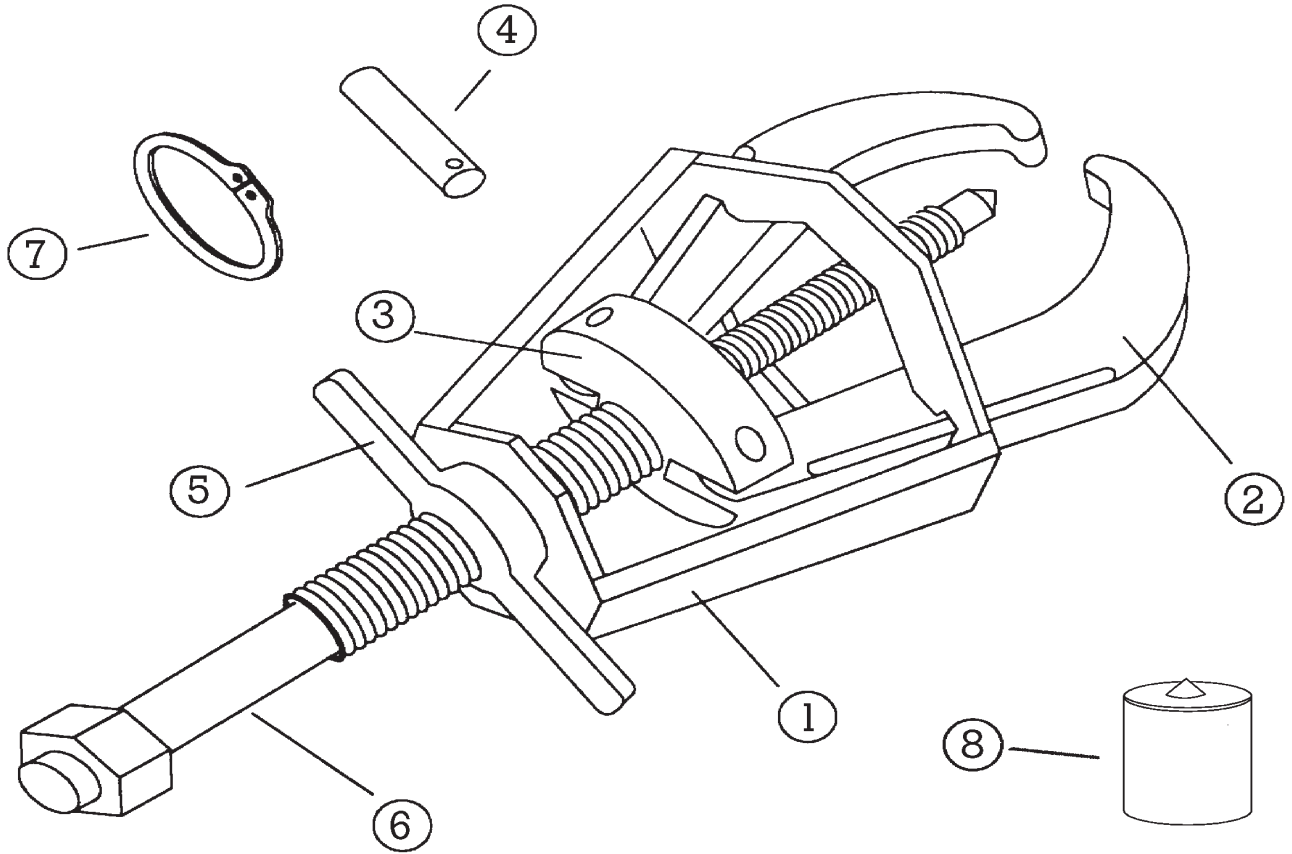


All Posi Lock Pullers are parts replaceable.
See part numbers below.

Description	Part #
1. Cage® - 3 Jaw	10453
2. Jaw	10454
3. Jaw Head Assembly - 3 Jaw	10455
4. Pin	10456
5. T-Handle	10457
6. Center Bolt (Dia. 9/16")	10458
7. Snap Ring	10459
8. Tip Protector	P4

*Optional accessories are also available

204 PARTS BREAKDOWN



For more information, contact your Posi Lock Sales Executive:

Robin Eckman
701-797-2600 | robin@posilock.com

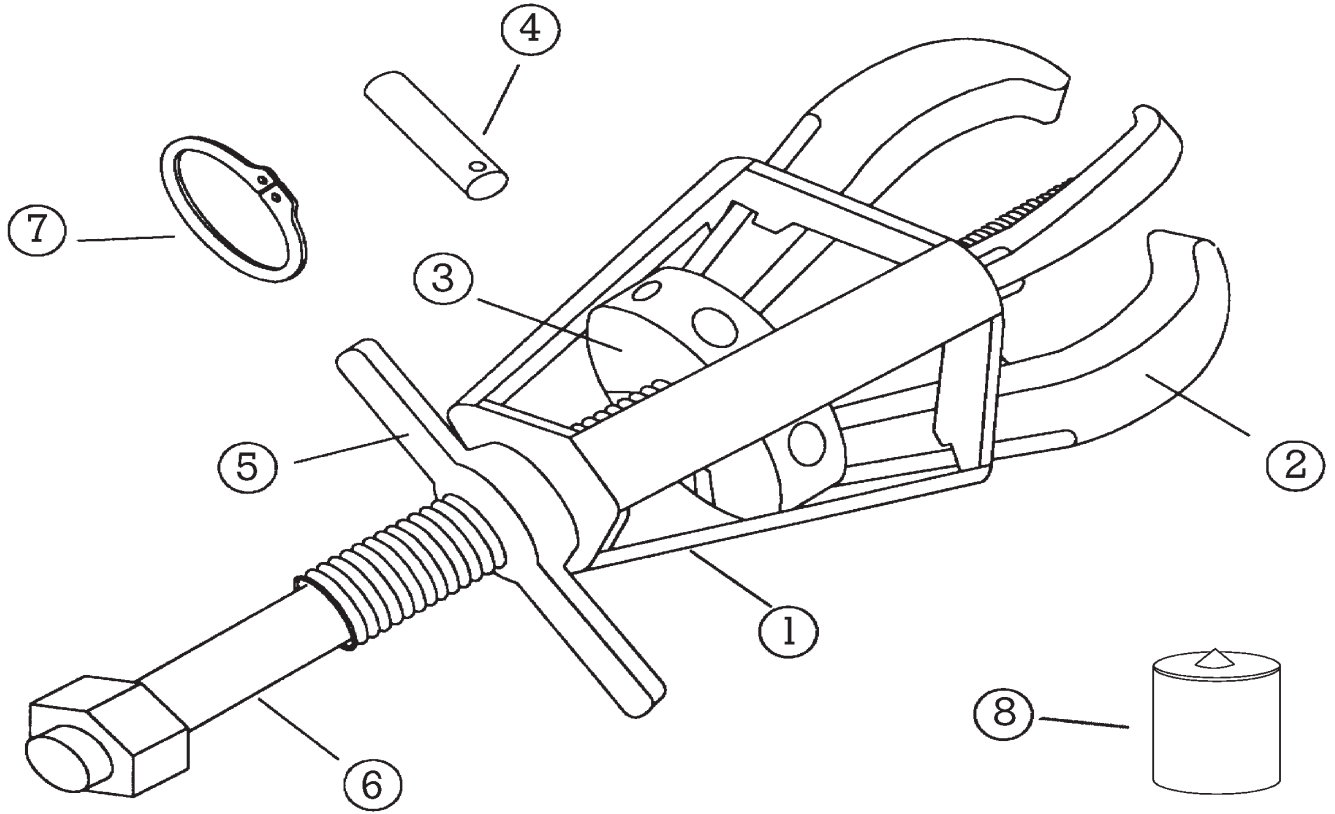
All Posi Lock Pullers are parts replaceable.
See part numbers below.

Description	Part #
1. Cage® - 2 Jaw	20453
2. Jaw	10454
3. Jaw Head Assembly - 2 Jaw	20455
4. Pin	10456
5. T-Handle	10457
6. Center Bolt (Dia. 9/16")	10458
7. Snap Ring	10459
8. Tip Protector	P4

*Optional accessories are also available

Speed. Strength. Safety. Speed. Strength. Safety. Speed. Strength. Safety. Speed. Strength. Safety. Speed. Strength. Safety. Speed. Strength. Safety.

106 PARTS BREAKDOWN



For more information, contact
 your Posi Lock Sales Executive:

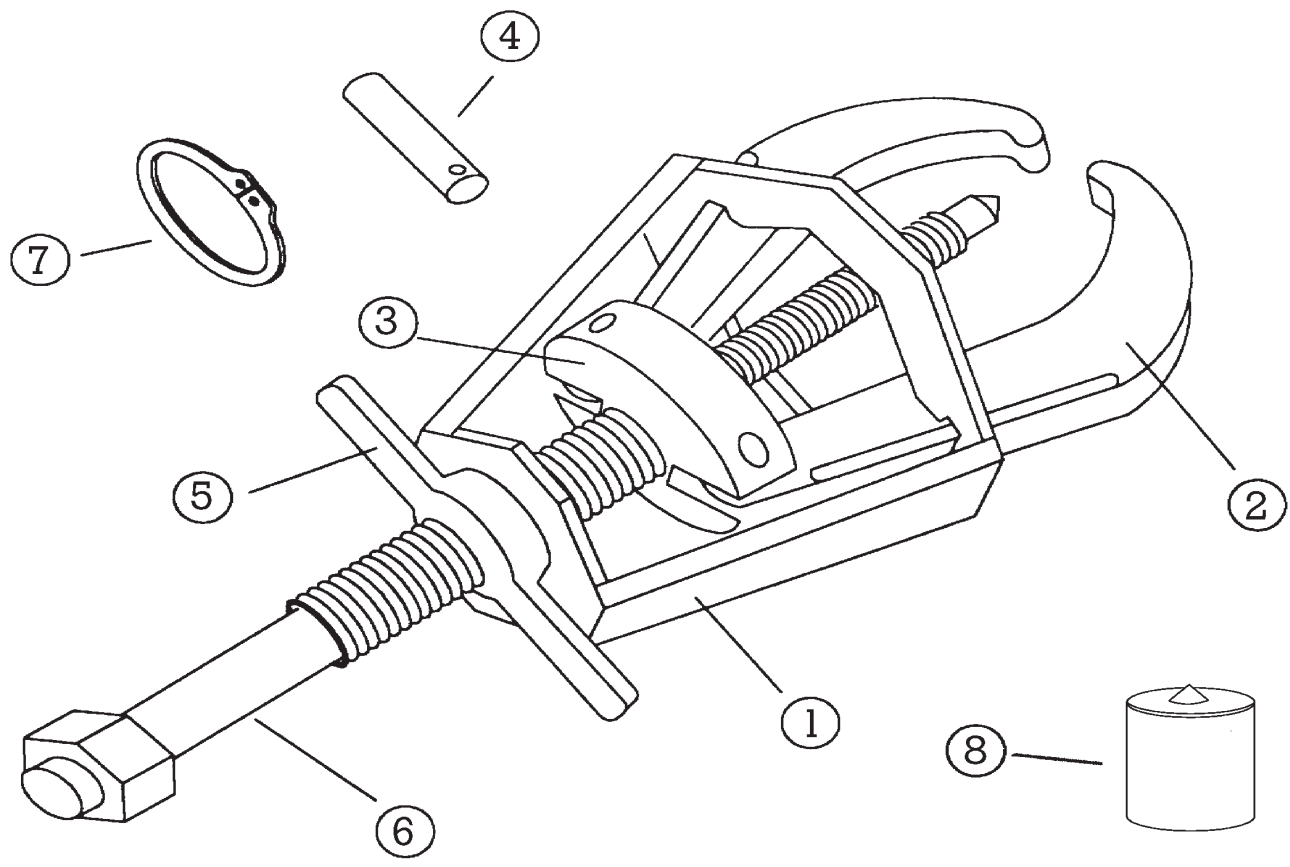
Robin Eckman
 701-797-2600 | robin@posilock.com

All Posi Lock Pullers are parts replaceable.
 See part numbers below.

Description	Part #
1. Cage® - 3 Jaw	10653
2. Jaw	10654
3. Jaw Head Assembly - 3 Jaw	10655
4. Pin	10656
5. T-Handle	10657
6. Center Bolt (Dia. 5/8")	10658
7. Snap Ring	10659
8. Tip Protector	P6

*Optional accessories are also available

206 PARTS BREAKDOWN



For more information, contact your Posi Lock Sales Executive:

Robin Eckman
701-797-2600 | robin@posilock.com

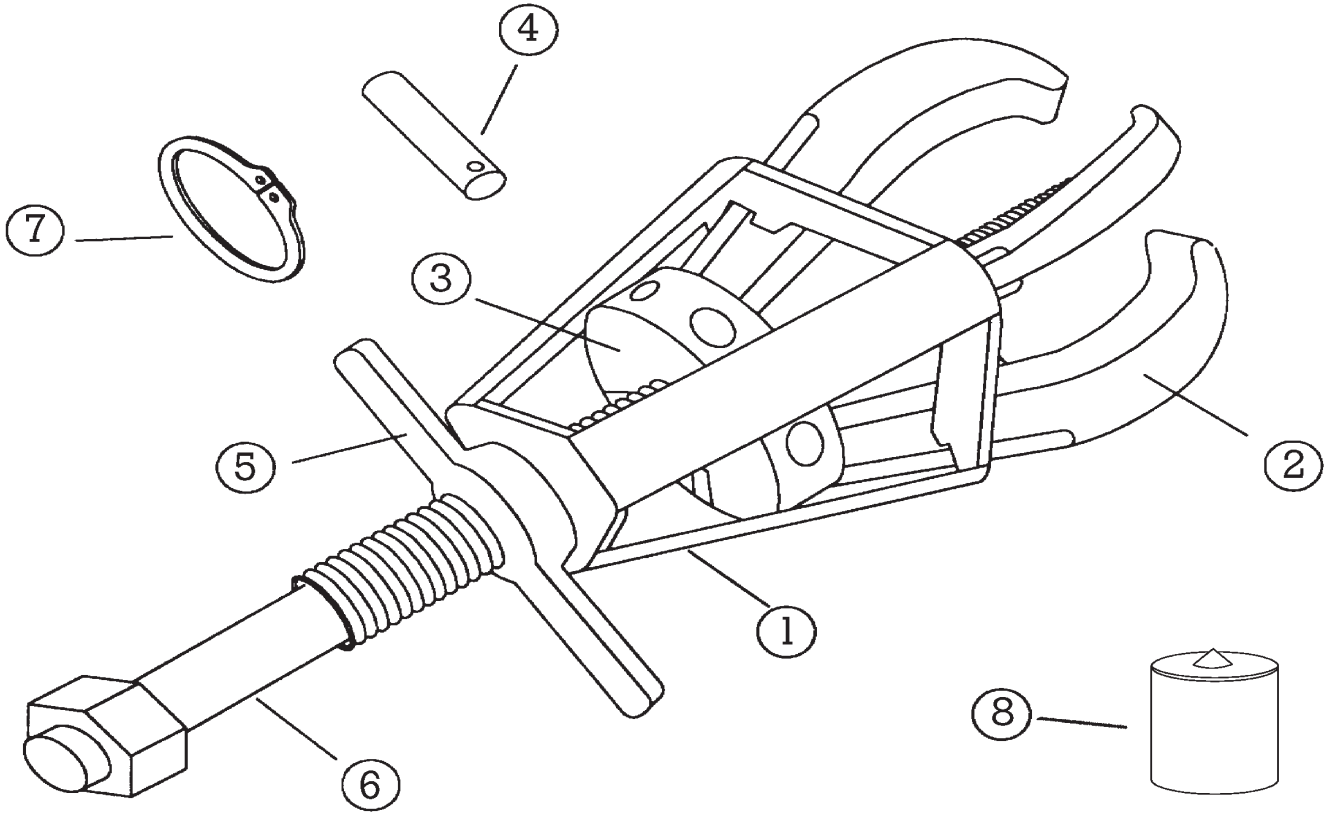
All Posi Lock Pullers are parts replaceable. See part numbers below.

Description	Part #
1. Cage® - 2 Jaw	20653
2. Jaw	10654
3. Jaw Head Assembly - 2 Jaw	20655
4. Pin	10656
5. T-Handle	10657
6. Center Bolt (Dia. 5/8")	10658
7. Snap Ring	10659
8. Tip Protector	P6

*Optional accessories are also available

Safety. Speed. Strength. Safety. Speed. Strength. Safety. Speed. Strength. Safety. Speed. Strength. Safety. Speed. Strength. Safety. Speed. Strength. Safety. Speed. Strength. Safety.

108 PARTS BREAKDOWN



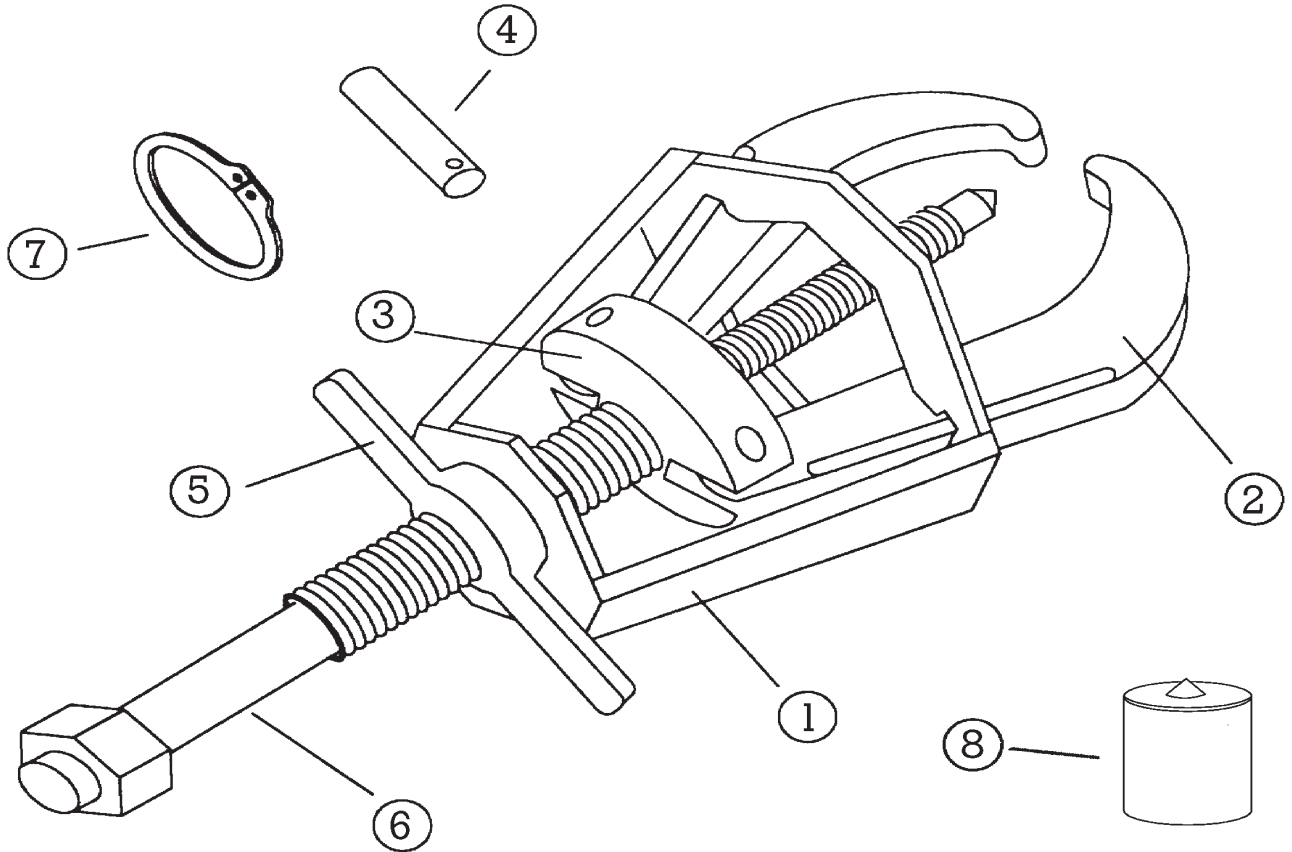
For more information, contact your Posi Lock Sales Executive:

Robin Eckman
701-797-2600 | robin@posilock.com

All Posi Lock Pullers are parts replaceable.
See part numbers below.

Description	Part #
1. Cage® - 3 Jaw	10853
2. Jaw	10854
3. Jaw Head Assembly - 3 Jaw	10855
4. Pin	11056
5. T-Handle	11057
6. Center Bolt (Dia. 3/4")	10858
7. Snap Ring	11059
8. Tip Protector	P10
*Optional accessories are also available	

208 PARTS BREAKDOWN



For more information, contact your Posi Lock Sales Executive:

Robin Eckman

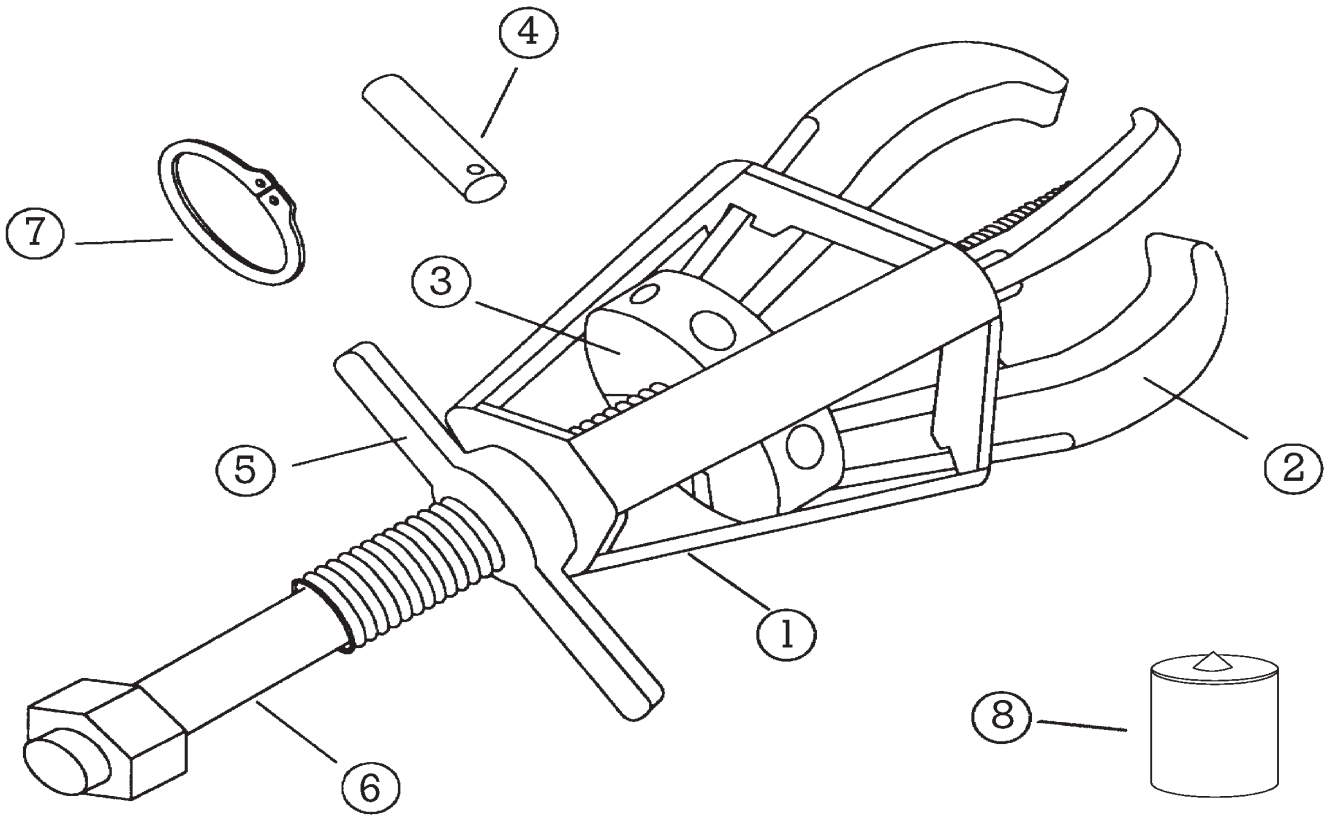
701-797-2600 | robin@posilock.com

All Posi Lock Pullers are parts replaceable.
See part numbers below.

Description	Part #
1. Cage® - 2 Jaw	20853
2. Jaw	10854
3. Jaw Head Assembly - 2 Jaw	20855
4. Pin	11056
5. T-Handle	11057
6. Center Bolt (Dia. 3/4")	10858
7. Snap Ring	11059
8. Tip Protector	P10

*Optional accessories are also available

110 PARTS BREAKDOWN



For more information, contact
your Posi Lock Sales Executive:

Robin Eckman

701-797-2600 | robin@posilock.com

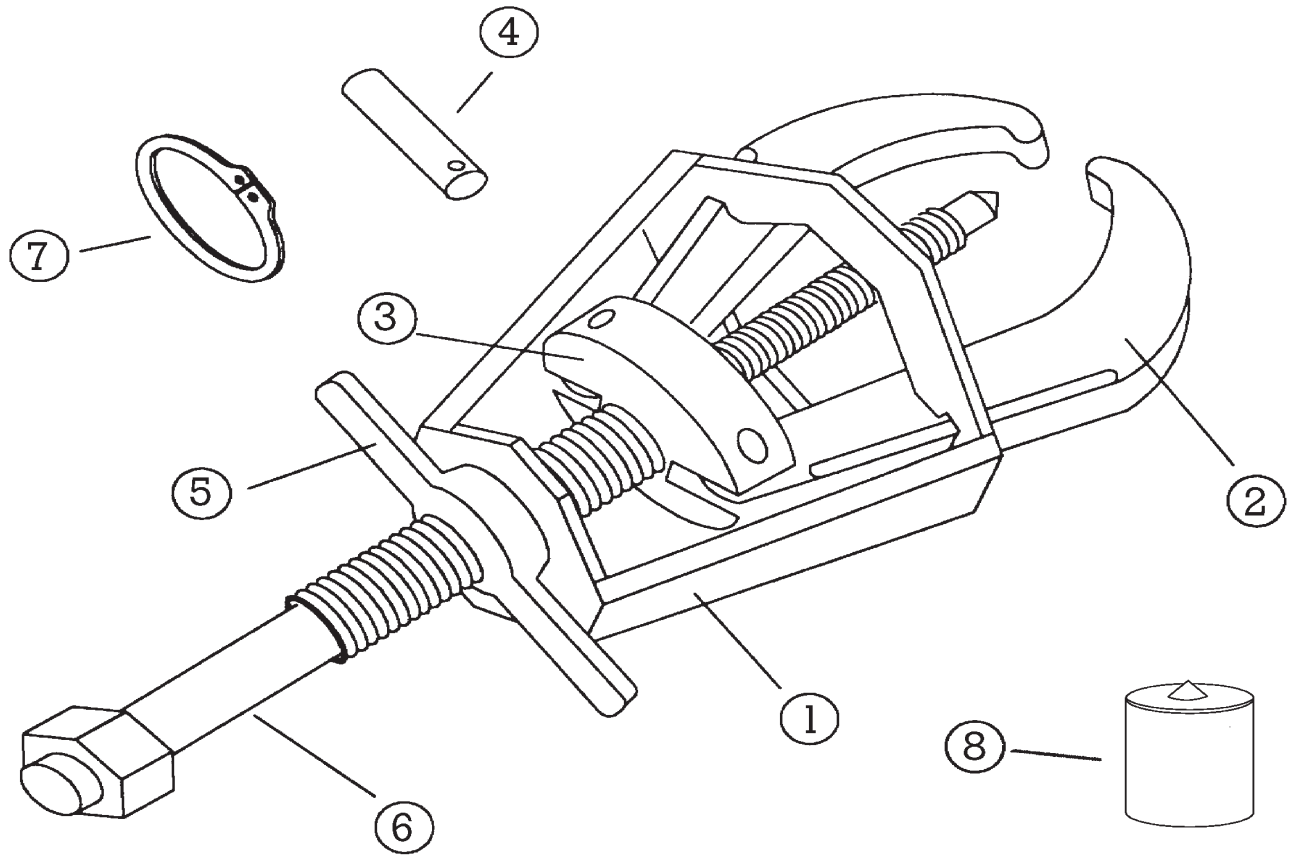
All Posi Lock Pullers are parts replaceable.
See part numbers below.

Description	Part #
1. Cage® - 3 Jaw	11053
2. Jaw	11054
3. Jaw Head Assembly - 3 Jaw	11055
4. Pin	11056
5. T-Handle	11057
6. Center Bolt (Dia. 3/4")	11058
7. Snap Ring	11059
8. Tip Protector	P10

*Optional accessories are also available



213 PARTS BREAKDOWN



For more information, contact
your Posi Lock Sales Executive:

Robin Eckman

701-797-2600 | robin@posilock.com



All Posi Lock Pullers are parts replaceable.
See part numbers below.

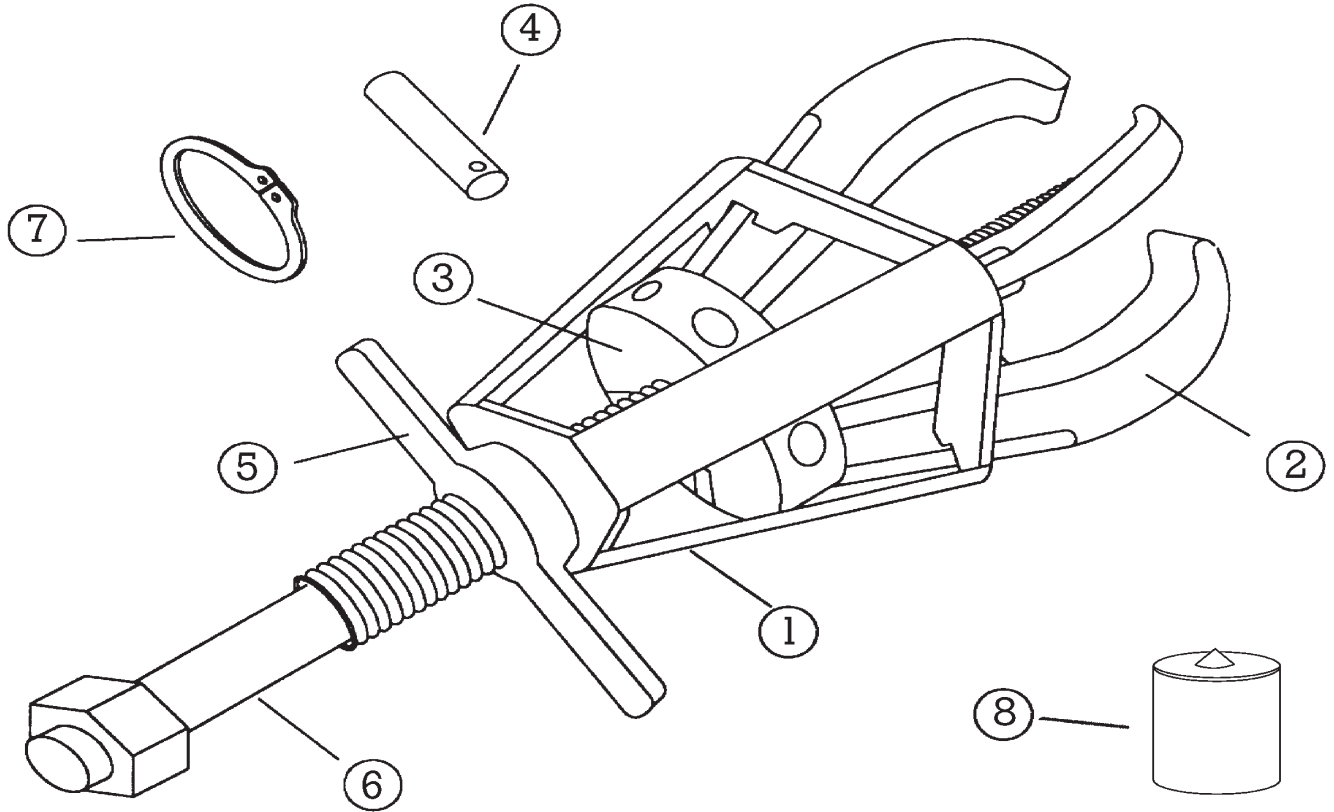
Description	Part #
1. Cage® - 2 Jaw	21353
2. Jaw	11354
3. Jaw Head Assembly - 2 Jaw	21355
4. Pin	11356
5. T-Handle	11357
6. Center Bolt (Dia. 1 1/8")	11358
7. Snap Ring	11359
8. Tip Protector	P13/16

*Optional accessories are also available

Safety. Speed. Strength. Safety. Speed. Strength. Safety. Speed. Strength. Safety.



116 PARTS BREAKDOWN



For more information, contact
your Posi Lock Sales Executive:

Robin Eckman

701-797-2600 | robin@posilock.com

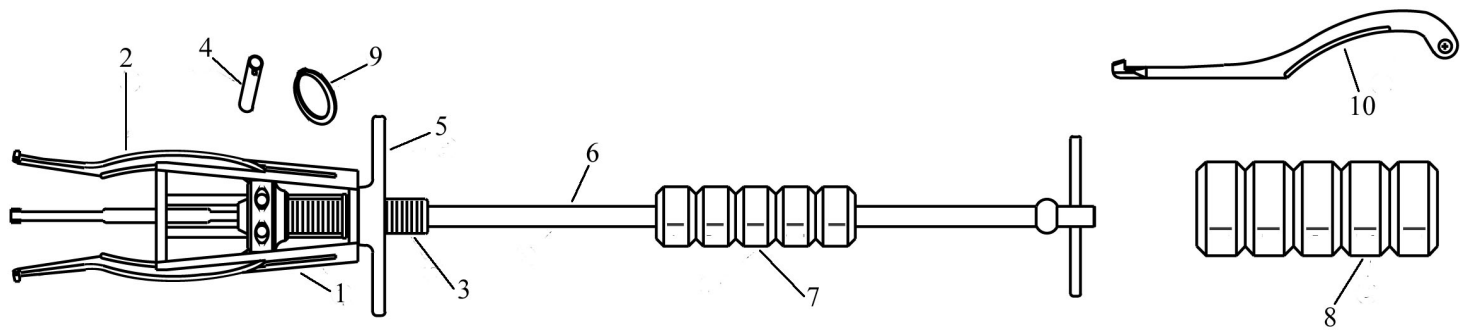


All Posi Lock Pullers are parts replaceable.
See part numbers below.

Description	Part #
1. Cage® - 3 Jaw	11653
2. Jaw	11654
3. Jaw Head Assembly - 3 Jaw	11655
4. Pin	11356
5. T-Handle	11657
6. Center Bolt (Dia. 1 1/4")	11658
7. Snap Ring	11659
8. Tip Protector	P13/16

*Optional accessories are also available

PMI6 PARTS BREAKDOWN



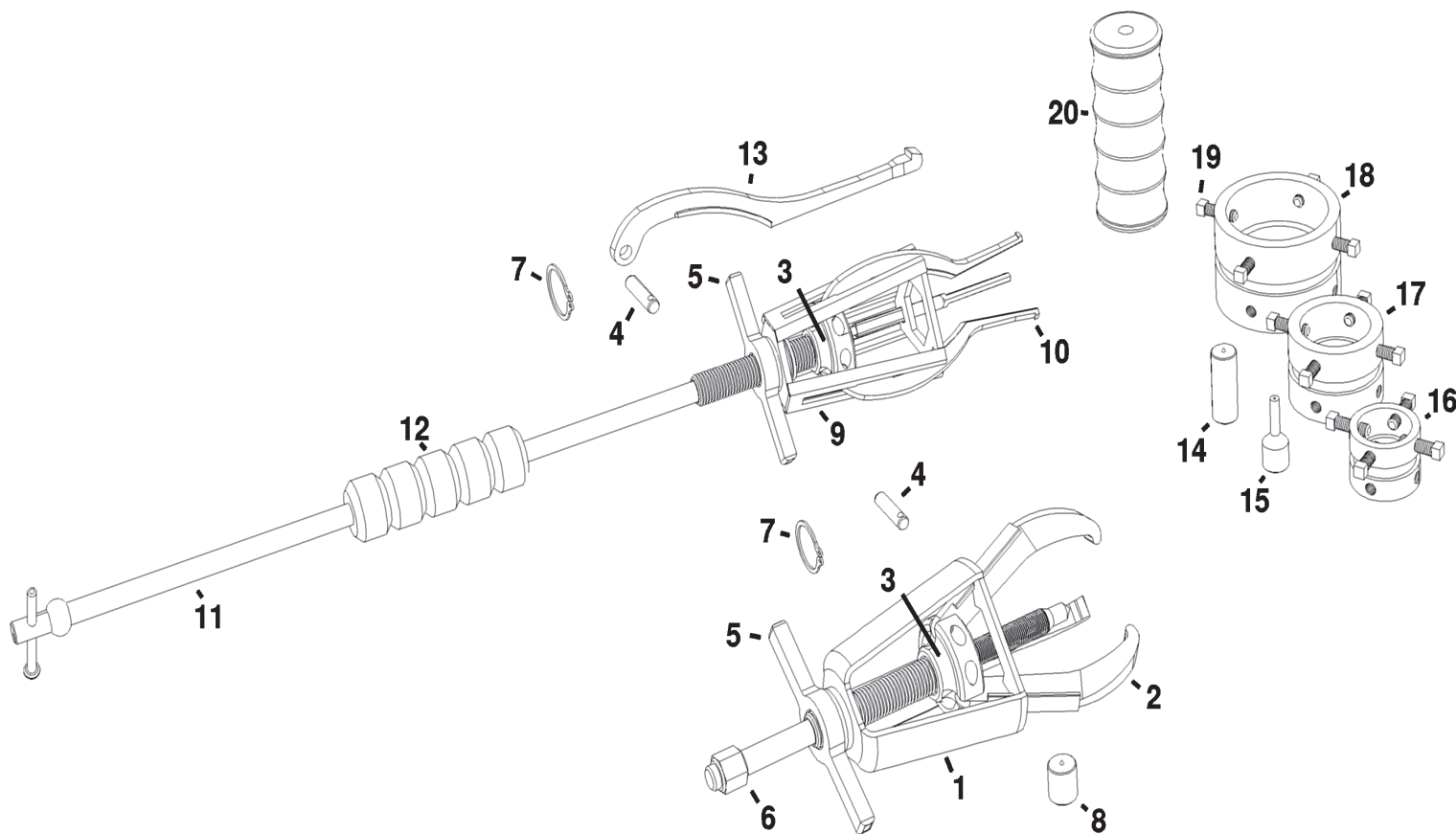
For more information, contact
your Posi Lock Sales Executive:

Robin Eckman
701-797-2600 | robin@posilock.com

All Posi Lock Pullers are parts replaceable.
See part numbers below.

Description	Part #
1. Cage® - Jaw	10553
2. Jaw	10554
3. Jaw Head Assembly - 3 Jaw	10455
4. Pin	10456
5. T-Handle	10457
6. Slide Rod	10561
7. Slide Hammer (2.5lb)	10562
8. Slide Hammer (5lb).	10563
9. Snap Ring	10459
10. Long Jaw	10554L

TB1045 PARTS BREAKDOWN



All Posi Lock Pullers are parts replaceable. See part numbers below.

Description	Part #
1. External Cage® - 3 Jaw	10453
2. External Jaw	10454
3. Jaw Head Assembly - 3 Jaw	10455
4. Pin	10456
5. T-Handle	10457
6. Center Bolt (Dia. 9/16")	10458
7. Snap Ring	10459
8. Tip Protector	P4
9. Internal Cage® - 3 Jaw	10553
10. Internal Jaw	10554

Description	Part #
11. Slide Rod	10561
12. Slide Hammer (2.5lb)	10562
13. Long Jaw	10554L
14. Bolt Extender	X4
15. Tip Reducer/Extender	HP-70
16. Small Hub Puller	HP-30
17. Large Hub Puller	HP-40
18. Extra large Hub Puller	HP-50
19. Square Head Set Screw	HP-60
20. Slide Hammer (5lb)	10563

For more information, contact your Posi Lock Sales Executive:

Robin Eckman

701-797-2600 | robin@posilock.com