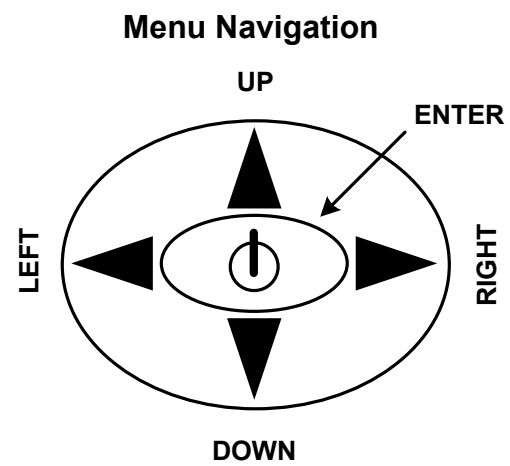
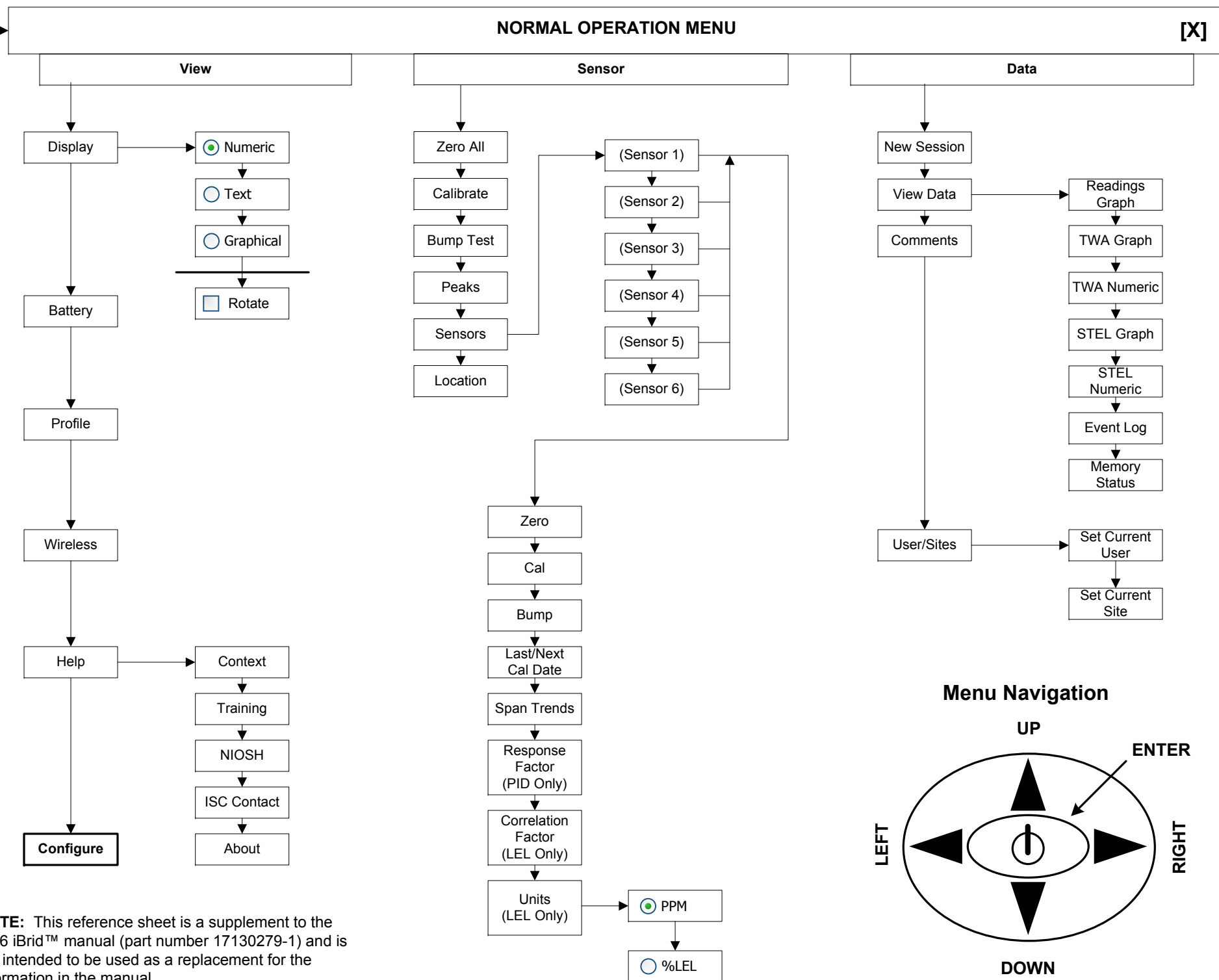
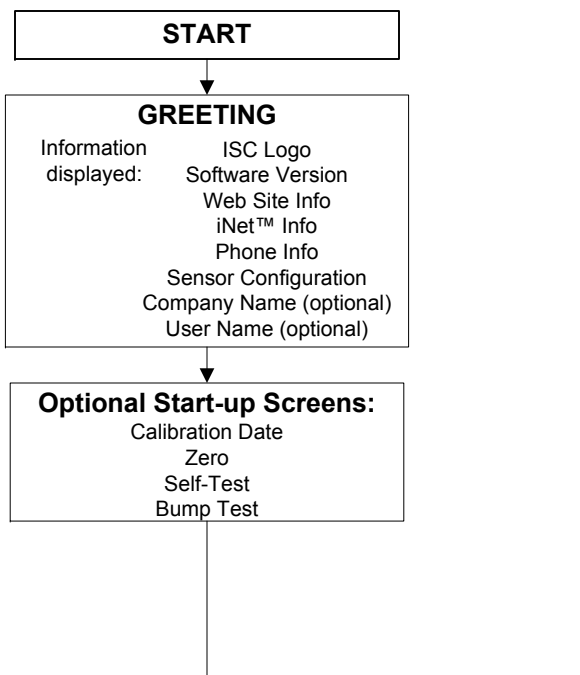




iBRID™
MX6

**Personal
Multi-Gas
Monitor**

Quick Start Guide



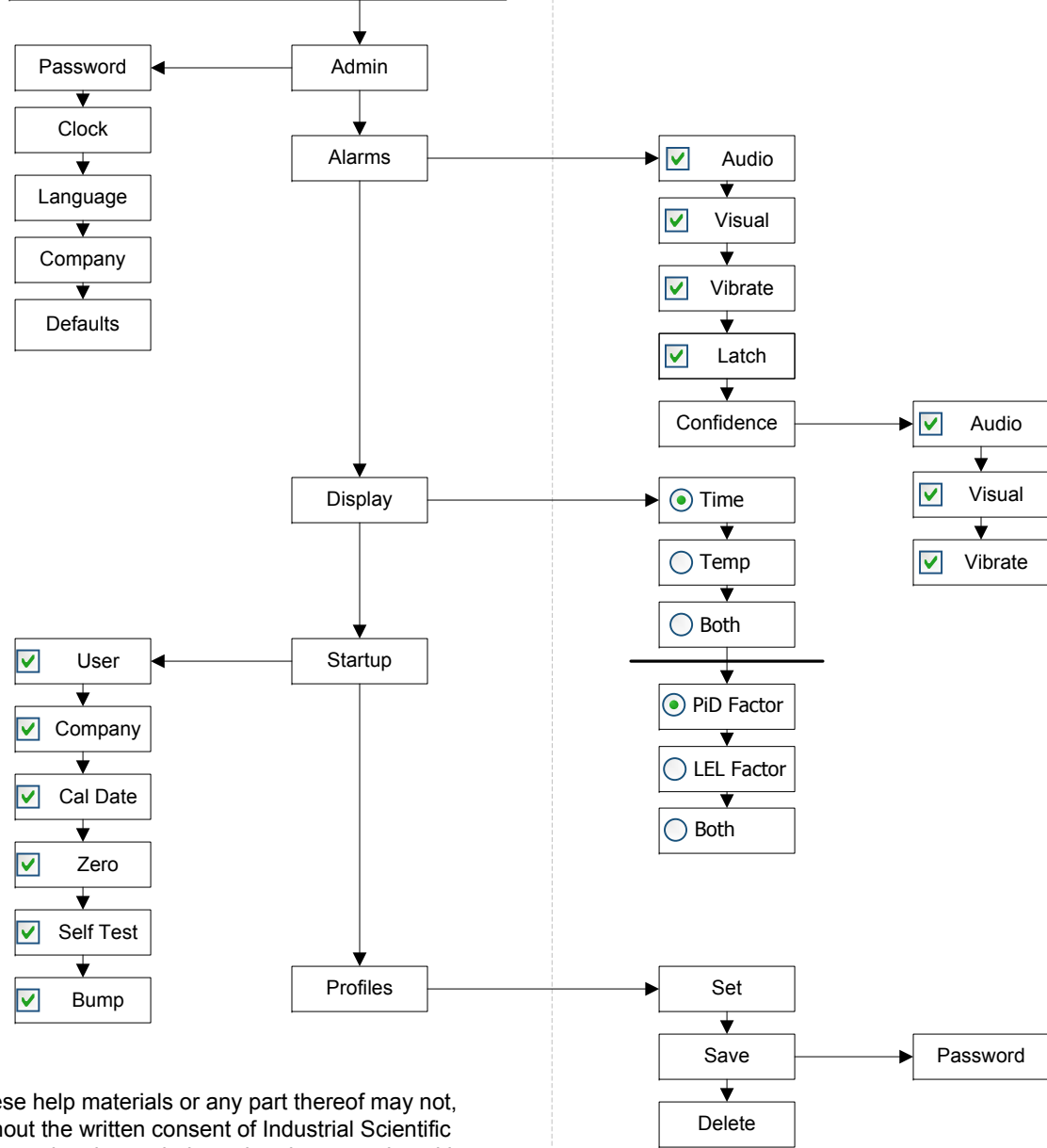
Part Number: 17134552-1
Revision: 1.1
Release Date: September 6, 2007
 © 2007 Industrial Scientific. All rights reserved.

NOTE: This reference sheet is a supplement to the MX6 iBrid™ manual (part number 17130279-1) and is not intended to be used as a replacement for the information in the manual.

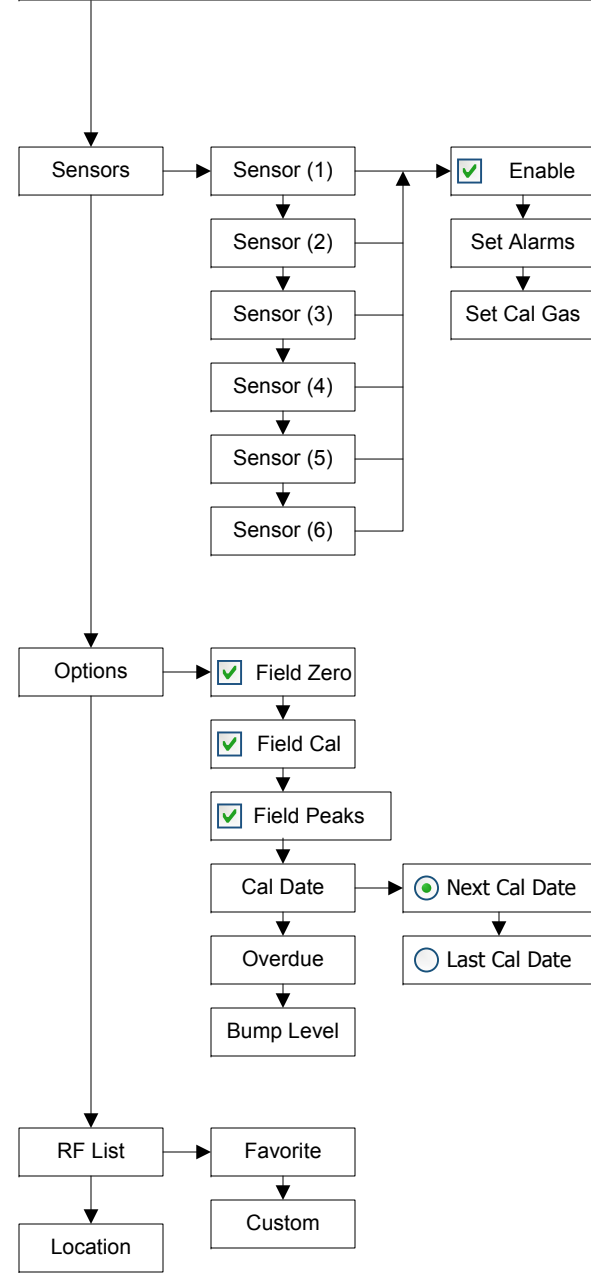
CONFIGURATION MENU

[X]

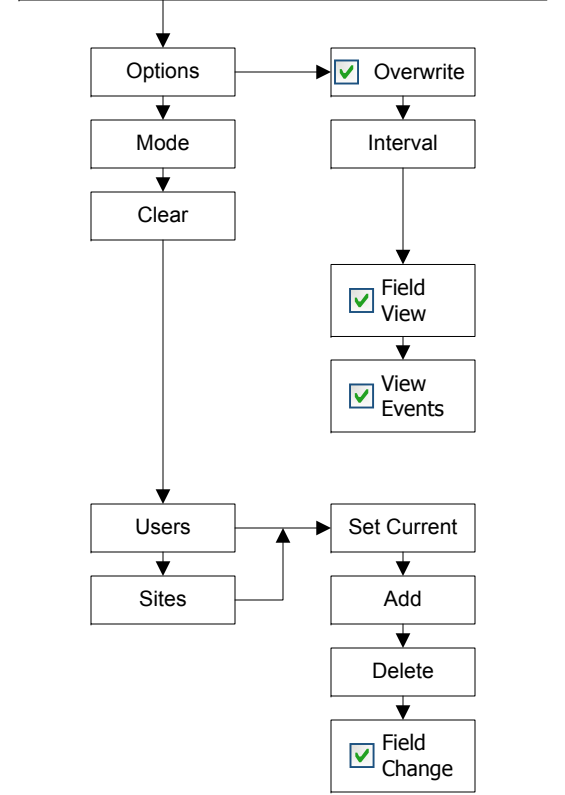
Config



Sensor



Data



These help materials or any part thereof may not, without the written consent of Industrial Scientific Corporation, be copied, reprinted or reproduced in any material form including but not limited to photocopying, transcribing, transmitting or storing it in any medium or translating it into any language, in any form or by any means, be it digitally, electronic, mechanical, xerographic, optical, magnetic or otherwise.

The information contained in this document is proprietary and confidential and all copyright, trade marks, trade names, patents and other intellectual property rights in the documentation are the exclusive property of Industrial Scientific Corporation unless otherwise specified. The information shall not at any time be disclosed directly or indirectly to any third party without prior written consent.

The information contained herein is believed to be accurate and reliable. Industrial Scientific Corporation accepts no responsibility for its use by any means or in any way whatsoever. Industrial Scientific Corporation shall not be liable for any expenses, costs or damage that may result from the use of the information contained within this document. The information contained herein is subject to change without notice.