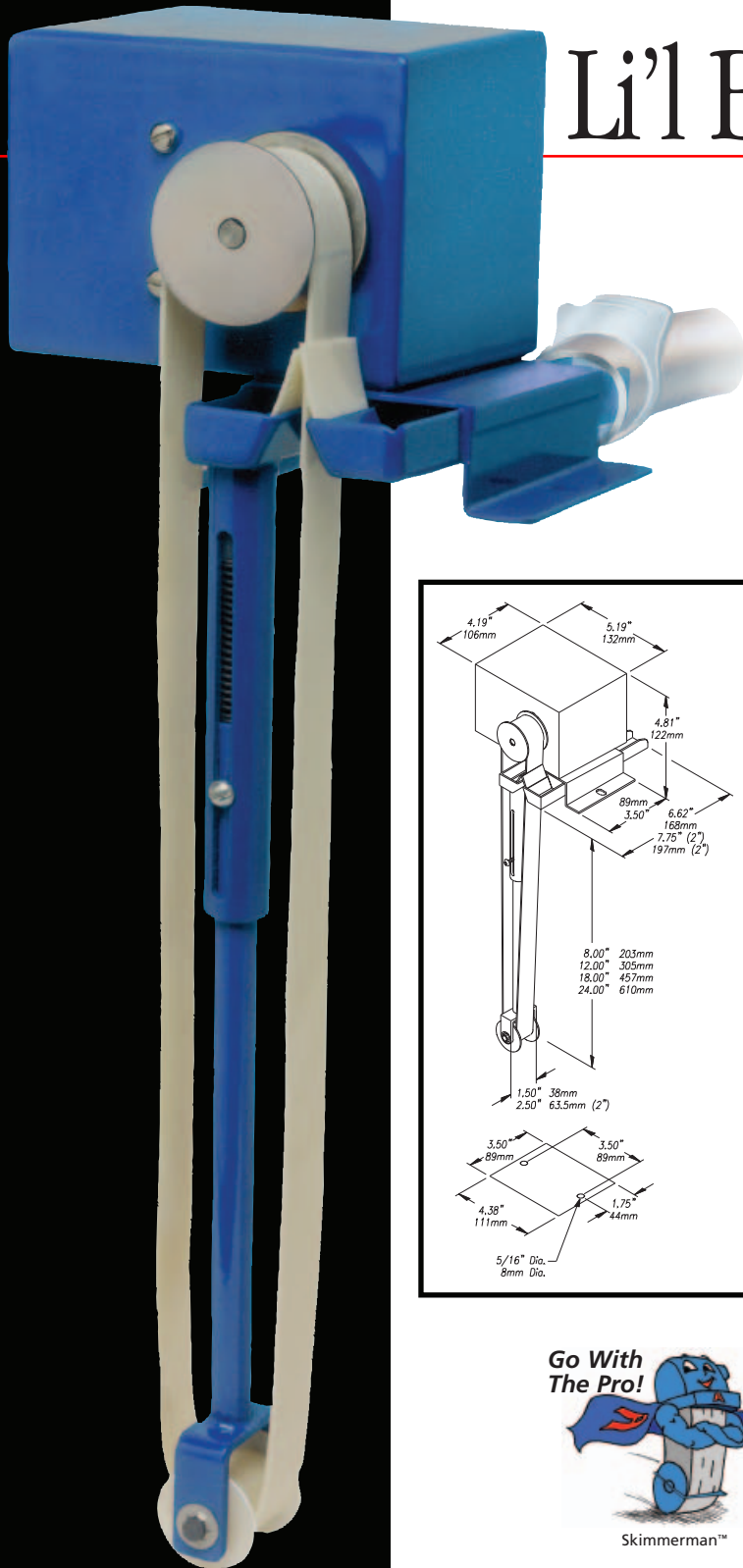


Li'l Blue Skimmer™



The economical solution to remove unwanted oil in coolants & parts washers!

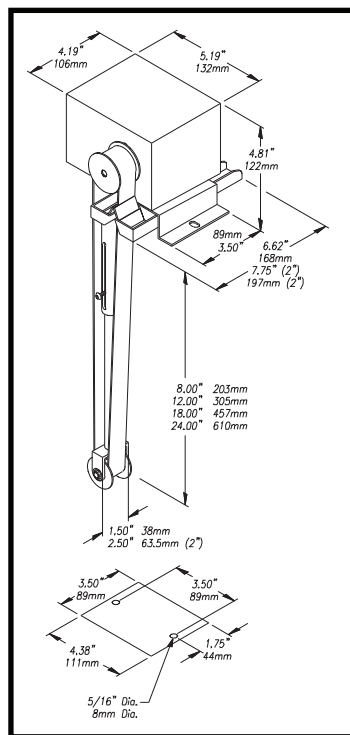
Effective. Removes one (1" wide belt) gallon or more of medium weight oil per hour. Compact. Use it almost anywhere...even through a 2" dia. bunghole in a drum.

Portable. Use it here today, there tomorrow. Weights only 6 pounds, installs in seconds and runs on 110 v. power.

Complete. Put it to work right out of the box, or add the optional, easy-to-install decanter and brackets for an even more efficient system.

Durable. Constructed of tough engineered polymer and includes long life fan-cooled motor.

30-day Money Back Guarantee. Every Abanaki skimmer is backed as well as it's built. We do it right or you don't pay!



Li'l Blue Skimmer

- Fan-cooled motor
- 1" oleophilic belts or specially-engineered plastic belts
- Both sides of belt are wiped for better efficiency
- Engineered polymer base and housing
- Spring-loaded stabilizer bar
- 3-foot clear discharge hose and clamp
- 8-foot grounded power cord w/plug
- Stainless steel units available

Belt 1" (25.4mm)

Capacity 1gph (3.8lph)

Models Available (Depth is measured from the bottom of the mounting base to the bottom of the tail pulley)

Model MM 50-08 8" (203mm)

Model MM 50-12 12" (305mm)

Model MM 50-18 18" (457mm)

Model MM 50-24 24" (610mm)

Standard Li'l Blue skimmers require 110v., 60-cycle electrical power. Models for 220v., 50-cycle are available.

ABANAKI

OIL SKIMMERS

USA: 17387 Munn Road • Chagrin Falls, Ohio 44023
800-358-SKIM (7546) • (440) 543-7400 • FAX: (440) 543-7404

UK: Unit 13 • Avondale Business Centre • Woodland Way • Bristol BS15 1AW
0117 9616679 • FAX: 0117 9616687

www.abanaki.com