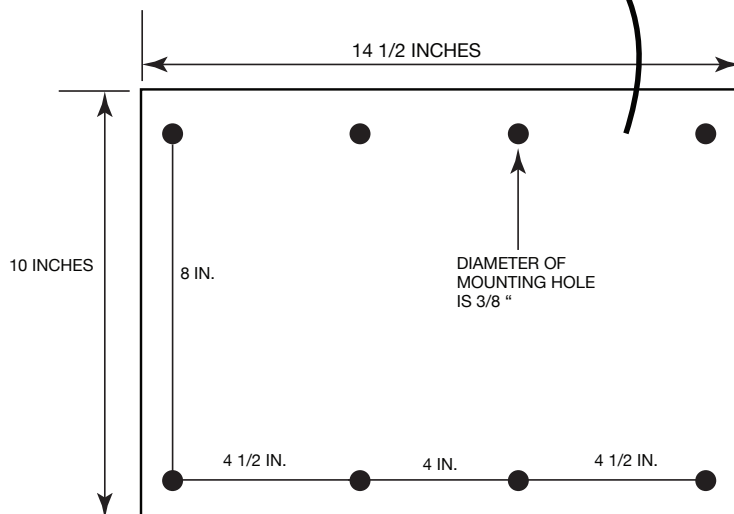
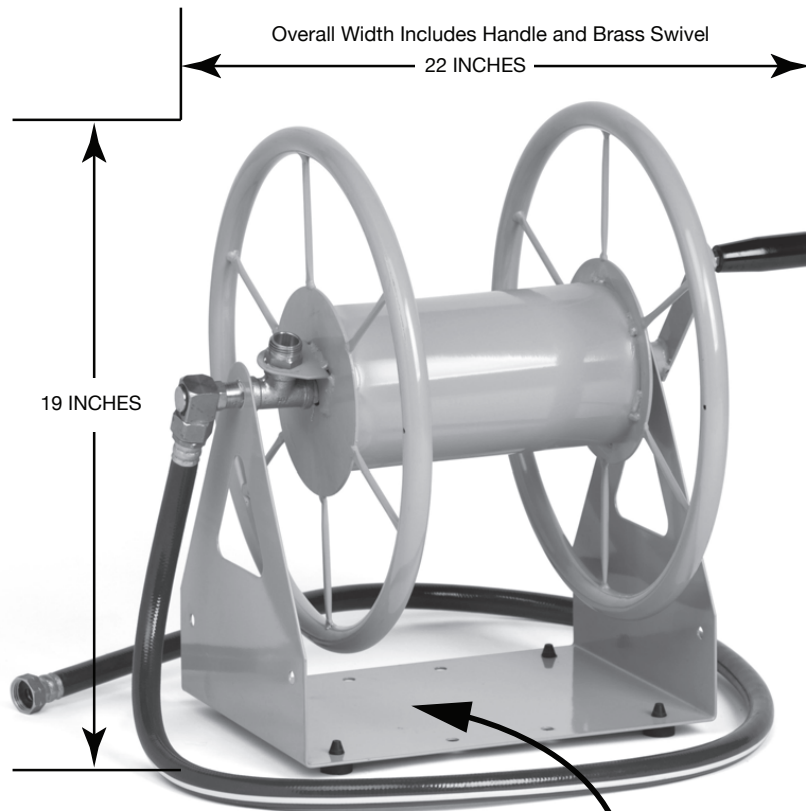




703 & 703-S2 Dimensions



**BASE FOR MODEL
703 AND 703-S2**

INSTALLATION

This hose reel **MUST** be mounted to a solid masonry wall or to wall studs

MOUNTING ON BRICK, MASONRY WALL or FLOOR

NOTE: The following hardware (not included) is recommended for installation.

- (4) 7 or 8 mm x 60 mm masonry wall anchors (5/16" x 2 1/2")
- (4) Anchor sleeves
- (4) Washers
- (4) Lock washers
- (4) Nuts

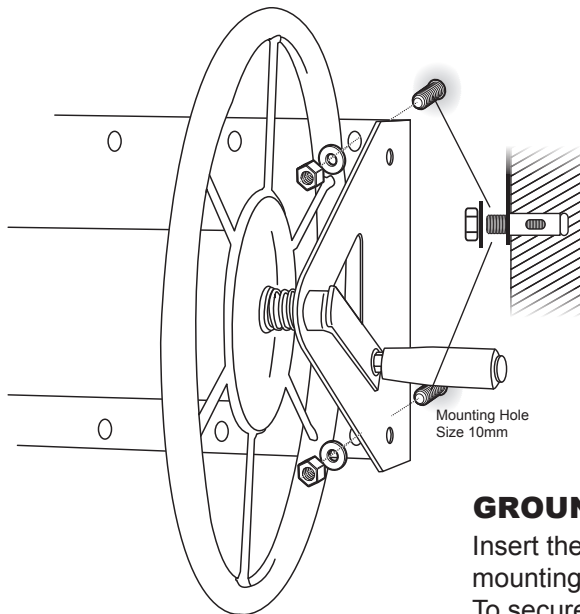
- Position and hold your hose reel against the brick masonry wall at a convenient height. Mark the position of each suspension hole on the wall. Remove the hose reel.

- Using an electric drill, drill holes 9/16" in diameter and 1 5/8" deep at the marked positions on the wall.

- Insert the masonry wall anchors into the anchor sleeve. Next, insert the anchor and sleeve into the drilled holes until the steel sleeve is completely in the wall.

- Place the hose reel on the masonry wall anchors.

- Install a washer, lock washer, and nut over each wall anchor and tighten securely.



MOUNTING ON FLAT WOOD FRAME WALL

NOTE: The following hardware (not included) is recommended for installation.

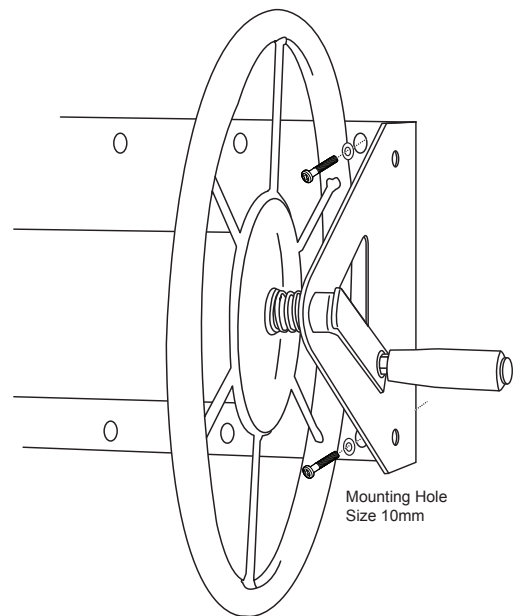
- (4) 7 or 8 mm lag screws with washers (5/16" x 2 1/2")

- Position and hold your hose reel against the wood wall at a convenient height. Mark the position of each suspension hole on the wall. Remove the hose reel.

- Using an electric drill, drill pilot holes 1/4" in diameter and 2 1/2" deep at the marked positions on the wall.

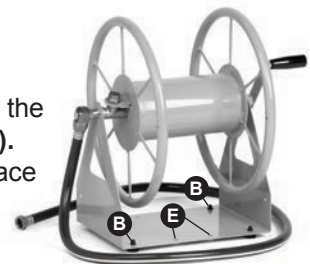
- Align the hose reel suspension holes with the pilot holes.

- Attach the hose reel to the wall using the lag screws with washers and tighten securely.



GROUND MOUNTING

Insert the four bumpers (B) provided into the mounting holes on the hose reel base (E). To secure the unit to the lawn or earth place the four stakes (A) through the holes on the base of the unit (E).



Note: Lubricating the bumpers with water or a light lubricant will ease the insertion.

Note: Remember to use the correct size and quantity of hardware to properly support the total weight of the unit. A standard 100' length of garden hose weighs approximately 15 lbs. Filled with water, the additional weight can exceed 20 lbs. The mounting hardware must be able to support the combined weight of the unit, garden hose, plus water.