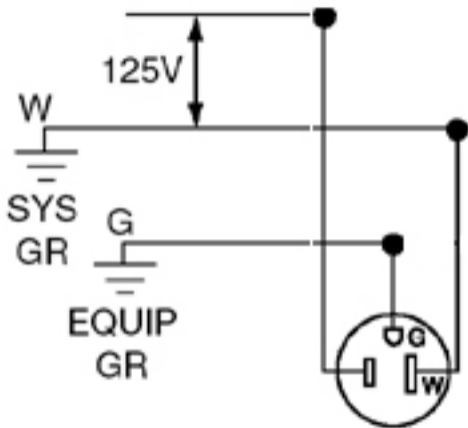


# Wiring Diagram



5-15R