

PROVORE® 380 & PROVORE® 680-Series 1 hp. Residential Grinder Systems

Simplex Models

- **P382XPRG101 – 1 hp., 115 Volt**
- **P382XPRG102 – 1 hp., 230 Volt**

Duplex Models

Indoor control panel

- **P682XPRG101 – 1 hp., 115 Volt**
- **P682XPRG102 – 1 hp., 230 Volt**

Outdoor control panel

- **P682XPRG101W – 1 hp., 115 Volt**
- **P682XPRG102W – 1 hp., 230 Volt**

Contents

- 1.) General Information
- 2.) The Basin
- 3.) Installation and Connections
- 4.) QuickTree® and Access Cover
- 5.) Electrical Service and Operation
- 6.) Maintenance and Troubleshooting



IMPORTANT:

Prior to installation, record Model, Serial Number, and Code Number from pump nameplate for future reference.

MODEL _____

SERIAL _____

CODE _____

INSTALLATION
DATE _____

Liberty Pumps®

7000 Apple Tree Avenue
Bergen, NY 14416
Phone: (800) 543-2550
Fax: (585) 494-1839
www.libertypumps.com

1. General Information

The ProVore® 1 hp. residential grinder system easily handles solids and sewage waste found in typical residential applications. Its unique cutter system grinds difficult wastes and then pumps it through a 1-1/2" or 2" discharge line. The ProVore® system is supplied with a 2" discharge outlet. **Do not increase this pipe size above 2" as adequate flow rates may not be achieved for proper operation.** Discharge sizes may be reduced to 1-1/2" or 1-1/4". Please consult factory for proper pipe and system sizing.

Before installation, read the following instructions carefully. Each Liberty pump is individually factory tested to insure proper performance. Closely following these instructions will eliminate potential operating problems, assuring years of trouble-free service.

⚠ WARNING

- **Risk of electric shock.** To reduce risk of electric shock, always disconnect pump from power source before handling.
- The electrical connections and wiring for a pump installation should only be made by qualified personnel.
- This pump is supplied with a grounding conductor or a grounding-type attachment plug. To reduce the risk of electric shock, be certain that the grounding conductor is connected only to a properly grounded control panel or, if equipped with a grounding-type plug, that it is connected to a properly grounded, grounding-type receptacle.
- Do not bypass grounding wires or remove ground prong from attachment plugs.
- Do not remove cord and strain relief, and do not connect conduit to pump.
- Do not use an extension cord.
- This pump requires separate, properly fused and grounded branch circuit. Make sure the power source is properly sized for the voltage and amperage requirements of the motor, as noted on the pump nameplate.
- The electrical outlet or panel shall be within the length limitations of the pump power cord, and at least 4 feet above floor level to minimize possible hazards from flood conditions.
- These pumps are not to be installed in locations classified as hazardous in accordance with the National Electric Code, ANSI/NFPA 70.
- The installation must be in accordance with the National Electric Code and all applicable local codes and ordinances.

⚠ CAUTION

- Do not use these pumps in water over 140° F.
- The Uniform Plumbing Code (UPC) states that sewage systems shall have an audio and visual alarm that signals a malfunction of the system, to reduce the potential for property damage.

System: The ProVore® residential grinder system is shipped from the factory fully assembled. The following chart lists the grinder pumps available. Your specific pump is identified by the model number on the nameplate attached to the Pro-Series cover. Pro 380 Systems ordered with alarm option have an "/A" suffix designating the alarm. "/A2" ...ALM-2, "/A2W" ...ALM-2W; all Pro 680 systems come with an integral control system with alarm. Also systems are available with an 8" extension to increase the height of the basin these models are designated with an X8 example: P382X8XPRG101.

System Model	Pump Model	HP	Volts	Phase	Full Load Amps	FNPT Discharge	Min. Shut-off Head (no-flow)	10' (3m) Stack Test
P382XPRG101	PRG101M	1	115	1	12	2"	45' (13.5 M)	YES
P382XPRG102	PRG102M	1	230	1	6	2"	45' (13.5 M)	YES
P682XPRG101	PRG101M	1	115	1	12	2"	45' (13.5 M)	YES
P682XPRG102	PRG102M	1	230	1	6	2"	45' (13.5 M)	YES

Note: All P380-Simplex and P680-Duplex Systems are shipped standard with 16 cover bolts and pass the 10' Stack Test.

Pump and Alarm floats are pre-set on the QuickTree® system at proper operating levels. Do not adjust floats.

Was your system sized by a professional? Minimum fluid flows are required in sewage applications. Consult Factory for proper pump sizing prior to installation.

QuickTree® Technology: ProVore® P380 and P680 systems by Liberty Pumps features QuickTree® float technology. The QuickTree® system is located under a separate access cover for ease of maintenance and service. Floats for both pump activation and alarm (if equipped) are mounted on a stainless steel tree (rod), separate from the pump. There is no need to disconnect plumbing or remove the pump to inspect service or replace floats. QuickTree® floats are preset at the factory for optimum operating levels and should not be adjusted.

2. The Basin

Provore® P380 and P680 systems feature a clear disposable construction cover designed to protect the system during rough-in and masonry work. The protective cover should remain in place until finish plumbing; however, can be removed and reinstalled if required. The cover is snapped into the threaded ports of the cover. To remove the clear cover, simply pull upward disengaging it from the threaded ports.

In Ground Installation of Pro-Series Basins

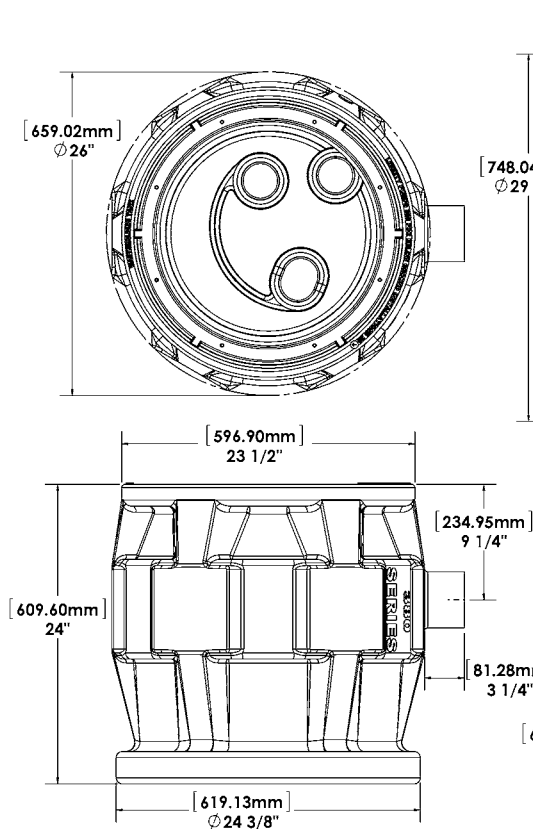
- A. **Excavation:** Excavate the hole as small as possible, with a minimum recommended 8" diametrical clearance around the tank. Never place the basin directly in contact with rocks or other sharp objects. Place only fine, 1/8" to 3/4" pea gravel or 1/8" to 1/2" washed, crushed stone as bedding between the basin and the hole walls. Do not use sand or native soil as backfill. Properly compact underneath the basin to provide a solid, level base that can support the weight of the filled basin. It is recommended that the top lip of the basin be level with the finished floor.
- B. **Initial Backfill:** Only fine, 1/8" to 3/4" pea gravel or 1/8" to 1/2" washed, crushed stone should be used around the bottom of the basin to hold it in place. Do not use sand or native soil as backfill. Make the inlet connection as required for your basin.
- C. **Inlet Connection:** The Liberty P380 and P680 series basins have a 4" inlet molded to the side of the tank. This inlet is sized to accept a 4" no-hub type coupling. Connect the gravity drainage line from the fixtures to this hub.
- D. **Final Backfill:** Large rocks, clods, and foreign objects should be kept out of the backfill material. Only fine, 1/4" to 3/4" pea gravel, or 1/8" to 1/2" washed, crushed stone is recommended. Do not use sand or native soil as backfill. Mound the backfill slightly and allow for natural settling. Provide access to the basin cover for maintenance and service.



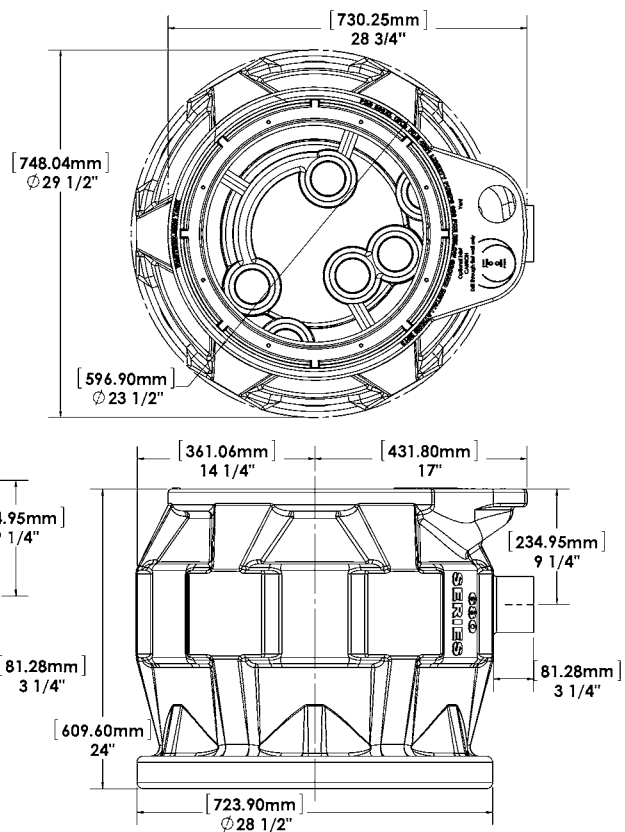
Do not exert heavy pressure or run heavy equipment on the backfill material as this could cause the tank to collapse.

Dimensional Data:

PRO380 Simplex Models



PRO680 Duplex Models

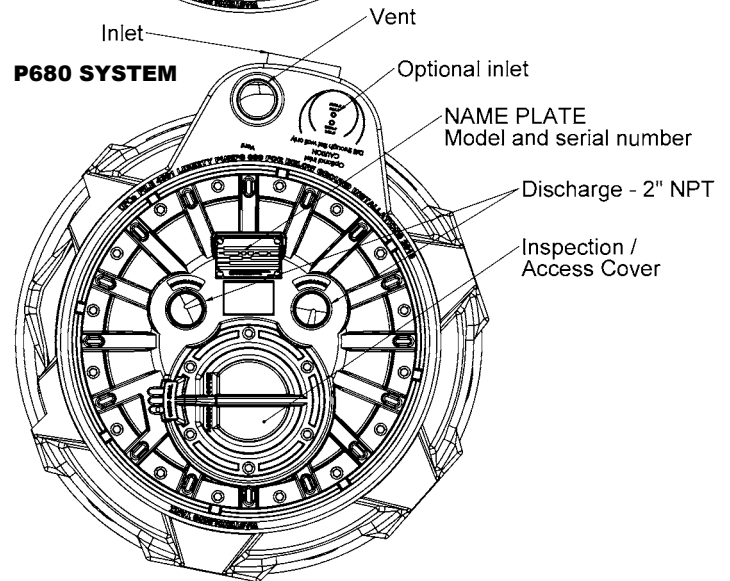
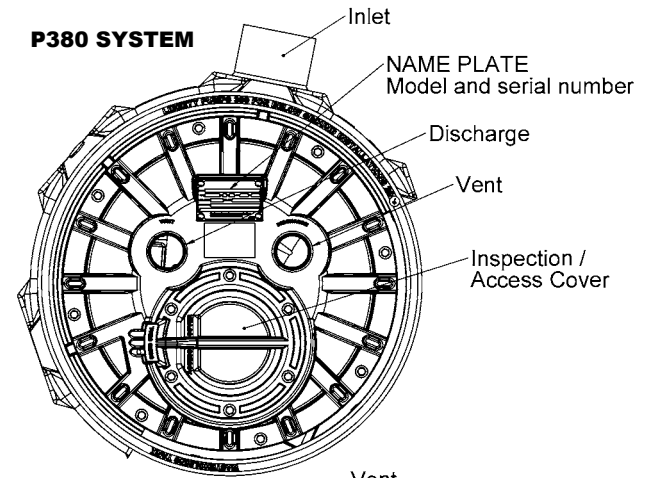


3. Installation and Connections

- A. **Discharge:** Using an adapter, connect the discharge pipe to the threaded 2" port provided on the cover. **IMPORTANT: NOTE:** This ProVore® system is supplied with a 2" discharge outlet. **Do not increase the pipe size above 2" as adequate flow rates may not be achieved for proper operation.** Discharge sizes may be reduced to 1-1/2" or 1-1/4". Contact Liberty Pumps if you have questions regarding proper pipe sizes and flow rates.

Install the remaining discharge line. A union should be installed just above the cover to facilitate pump removal if necessary. A check valve is recommended after the union to prevent the backflow of liquid after each pumping cycle. A gate or ball valve should follow the check valve to allow periodic cleaning of the check valve or removal of the pump. The remainder of the discharge line should be as short as possible with a minimum number of turns, to minimize friction head loss. Contact Liberty Pumps or other qualified person if there are questions regarding proper pipe size and flow rates.

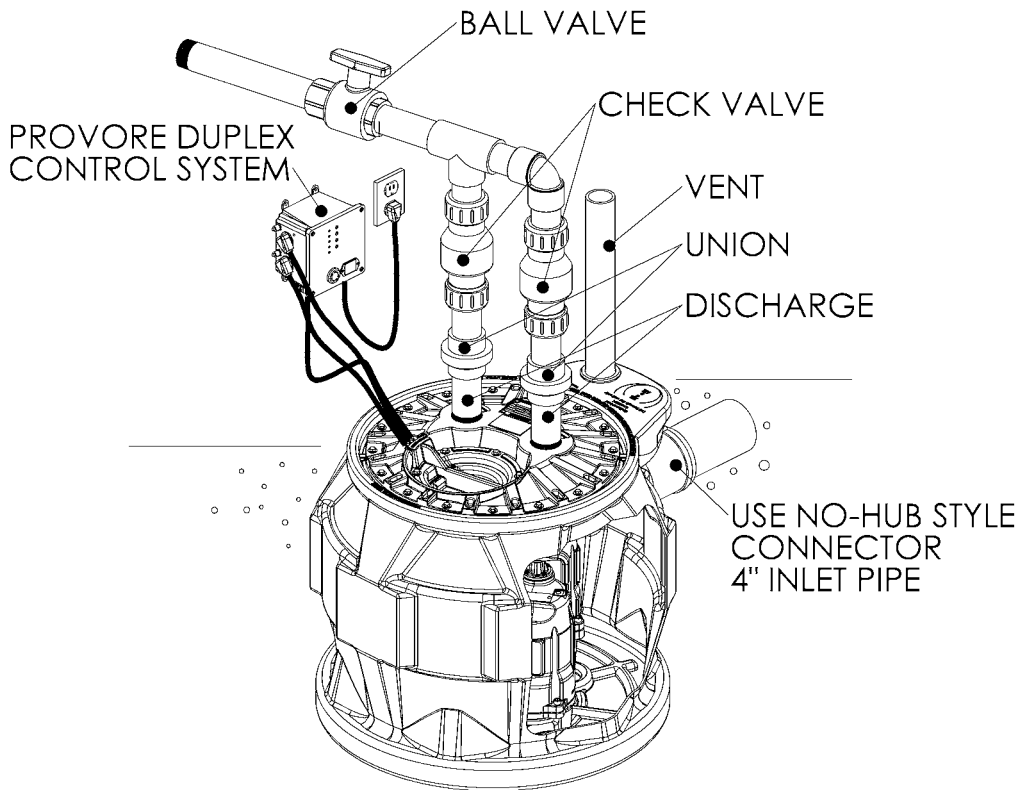
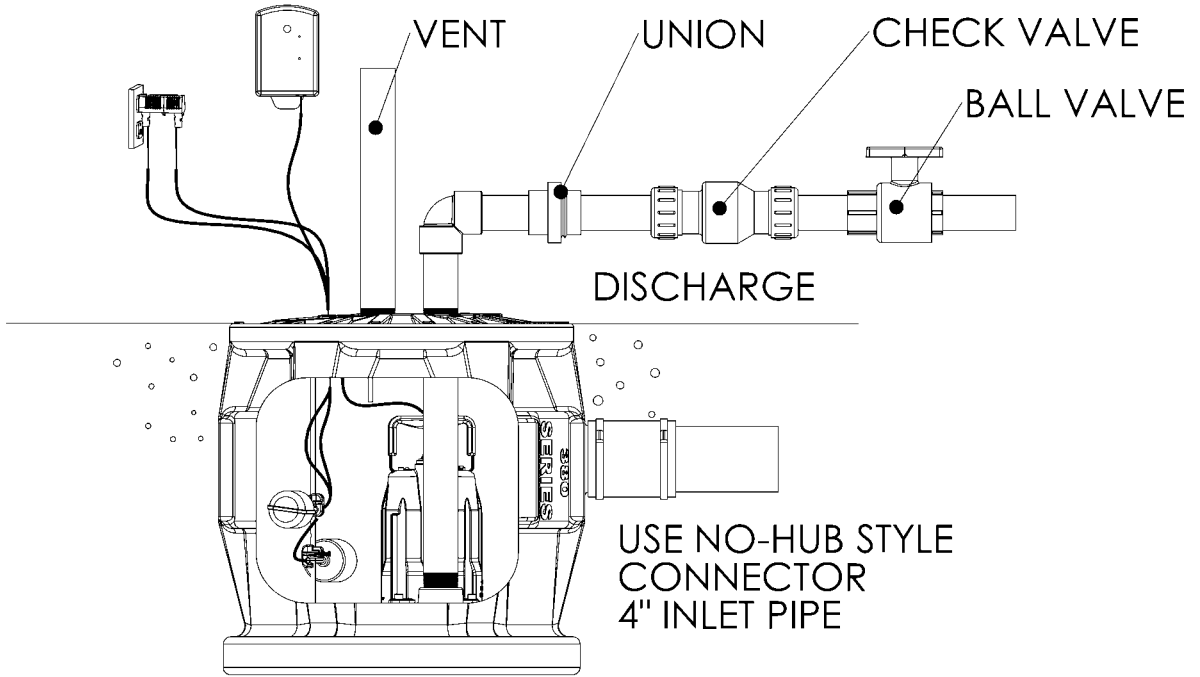
- B. **Vent:** A threaded 2" or 3" connection is provided on top of the cover on a P380 SYSTEM or a 2" or 3" slip type Uni-Seal on a P680 SYSTEM; the vent must be piped to the existing building vent, or extended outside on its own standpipe. The vent size should be in accordance with applicable codes, but not less than the discharge size.



Typical Installation

This is a recommended installation only. Variations may apply.

ALARM (OPTIONAL)



4. QuickTree® and Access Cover

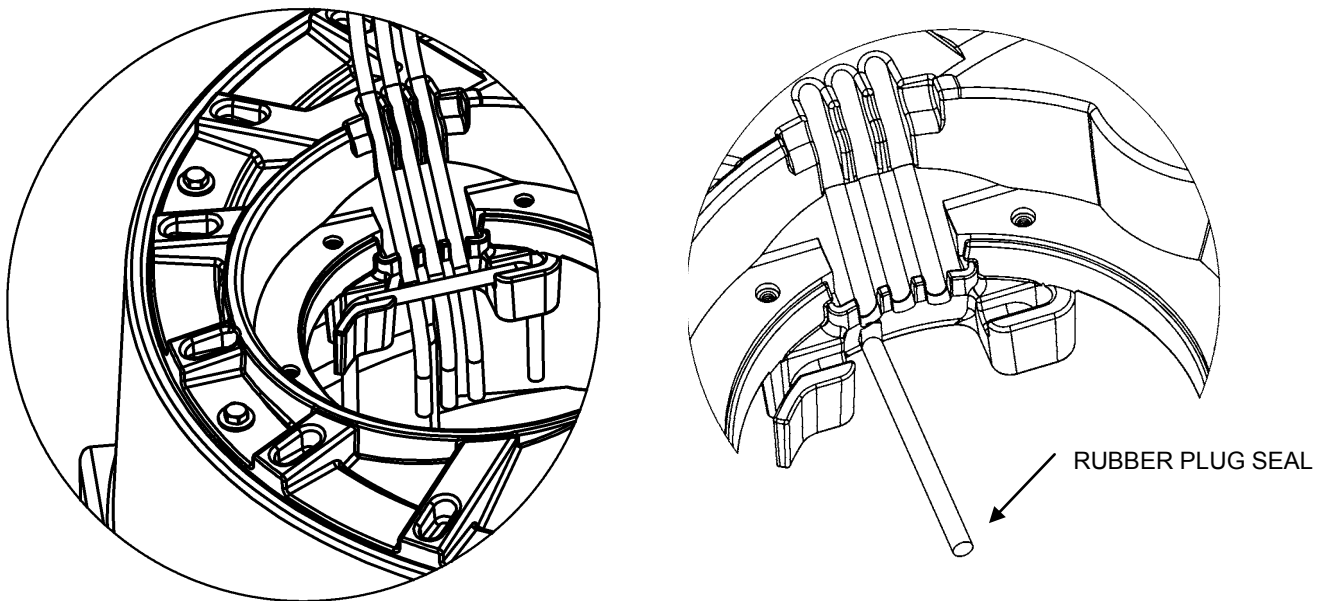
ProVore® P380 and P680 systems feature QuickTree® technology. The QuickTree® float system uses a stainless steel mounting rod (tree) and specially designed cord clamping brackets to affix the pump float and (optional) alarm float in the system. **All floats are pre-set at the factory at optimum levels and do not require adjustment.** **NOTE: Field adjusting floats may cause improper activation or turn-off of the pump and optional alarm.**

QuickTree® removal and float inspection: The QuickTree® system is located under the separate access cover to help ease inspection, service and replacement of a float. To inspect the float(s), simply unbolt the access cover and lift out the QuickTree® assembly from its holder. There is no need to disconnect plumbing or remove the pump. Pro-Series systems feature a manual grinder pump (with no switch attached directly to the pump). Operation of the pump is accomplished by the QuickTree® system.

Re-inserting the QuickTree® : After service or inspection of the floats, re-insert the QuickTree® into its holder. Cords from the pump, float switch and optional alarm need to be properly sealed as described below in the Integrated Cord Seal System.

Integrated Cord Seal System: It is important that cords from the pump motor, float switch and optional alarm float are sealed in the specially designed rubber sealing channels under the access cover. Proper sealing is required to keep sewer gas from leaking from the system. Place the cords securely in the rubber channels as shown in FIGURE B. being careful to remove excessive cord “slack” from inside the system. **IMPORTANT:** Three cord channels are provided. For systems without the alarm option, only two channels will be used and the third must be “plugged” with an attached rubber plug seal. **SEE FIGURE C.** If the alarm cord is present, all three channels will be used. All rubber cover gaskets are permanently attached and do not require replacement.

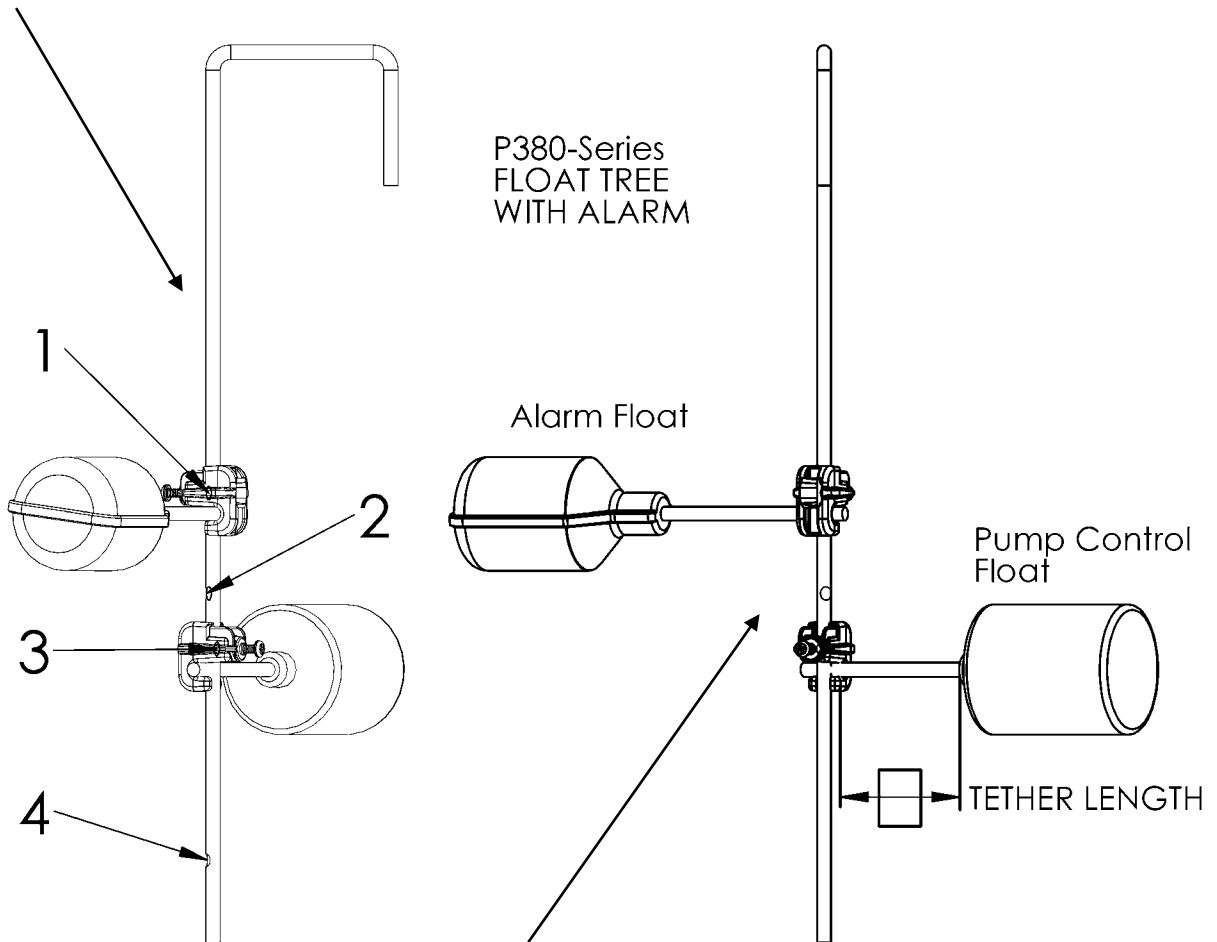
IMPORTANT: Proper cord sealing – behind QuickTree® rod



QuickTree[®] settings for ProVore[®] Systems:

Float positions 1, 2, 3 and 4 are identified by a "flat" stamped into the stainless steel rod. 1 is highest, 4 is lowest.

ROD POSITION	TETHER LENGTH (SWITCH TO CLAMP)	
	P380 & P680	
	Alarm Float	Control Float
1	3.5"	
2		
3		3.0"
4		



Control and alarm floats have different tether lengths. See above chart for proper tether length and correct rod position.

When servicing the QuickTree[®] place the switch cord into the trough or channel then slip the stainless steel rod through the clamp and tighten the screw with a Philips screw driver do not over tighten. Flats have been formed on the rod to designate float positioning the screw should be tightened onto the flat. The tether length is the amount of cord between the clamp and float.

5. Electrical Service and Operation

⚠ WARNING

- **Risk of electric shock.** Always disconnect the pump from the power source before handling or making adjustments.
- The electrical connections and wiring for a pump installation should only be made by qualified personnel.
- This pump is supplied with a grounding conductor or a grounding-type attachment plug. To reduce the risk of electric shock, be certain that the grounding conductor is connected only to a properly grounded control panel or, if equipped with a grounding-type plug, that it is connected to a properly grounded, grounding-type receptacle.
- Do not bypass grounding wires or remove ground prong from attachment plugs.
- Do not remove cord and strain relief, and do not connect conduit to pump.
- Do not use an extension cord.
- This pump requires separate, properly fused and grounded branch circuit. Make sure the power source is properly sized for the voltage and amperage requirements of the motor, as noted on the pump nameplate.
- The electrical outlet or panel shall be within the length limitations of the pump power cord, and at least 4 feet above floor level to minimize possible hazards from flood conditions.
- The installation must be in accordance with the National Electric Code and all applicable local codes and ordinances.

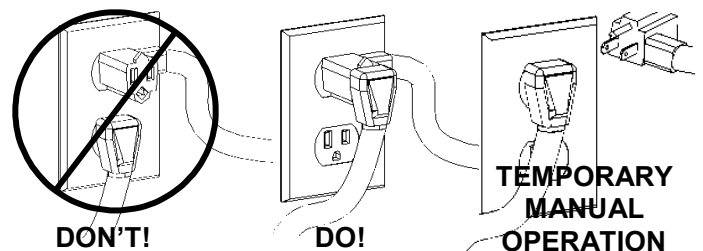
All P380 models come factory-equipped with the float switch mounted on the QuickTree® assembly. These models come with two cords - one to the float switch and the other to the pump motor. The switch cord has a series (piggyback) plug enabling the pump (motor) cord to be plugged into the back of it (See Fig.4). The purpose of this design is to allow manual operation of the pump. Note, on / off operation of the pump must be controlled by the circuit breaker.

For automatic operation the two cords should be interconnected and plugged into a separately fused, grounded outlet of proper amp capacity for your selected pump model. (See Section 1, General Information, or the pump nameplate for electrical specifications of your model.) Both cords are equipped with 3-prong plugs and must be plugged into a properly grounded 3-wire receptacle. **DO NOT REMOVE THE GROUND PRONGS.**

In the event of switch failure, the pump cord can be separated and plugged into the electrical outlet, directly bypassing the switch. For 115V and 230V single phase pumps should only be operated without the float switch by using the circuit breaker or panel disconnect. Do not let the pump run dry.

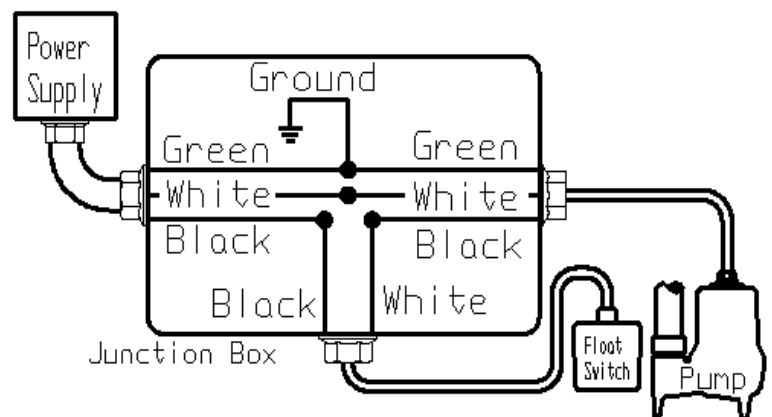
If the pump is to be wired directly into a control device or junction box, and it is necessary to remove the plugs, have a certified electrician do the wiring in accordance with the National Electric Code and applicable local codes.

Fig. 4 Piggyback plug installation.



⚠ WARNING

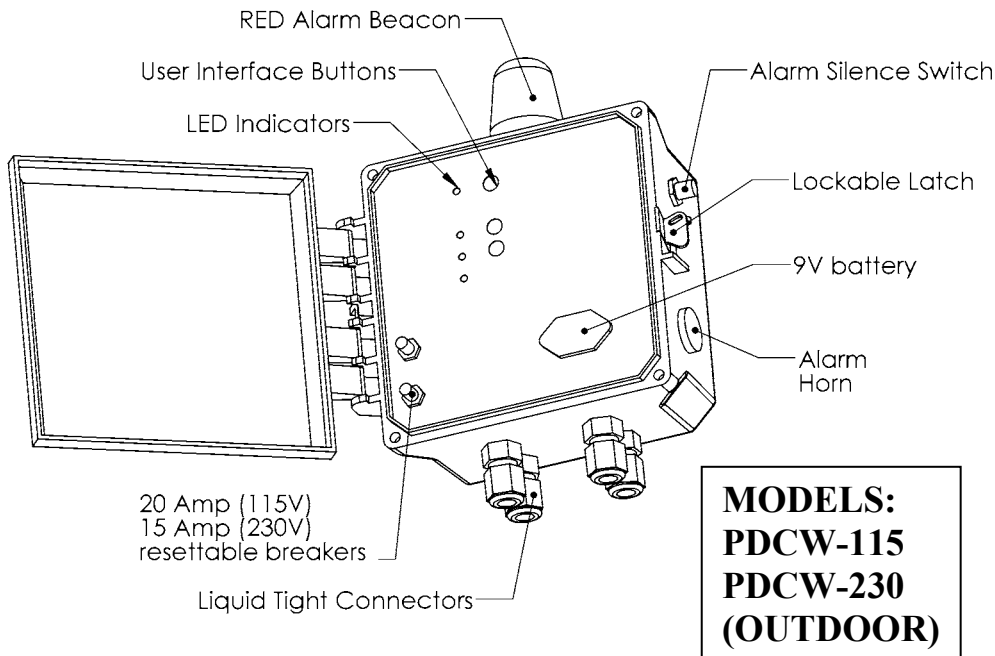
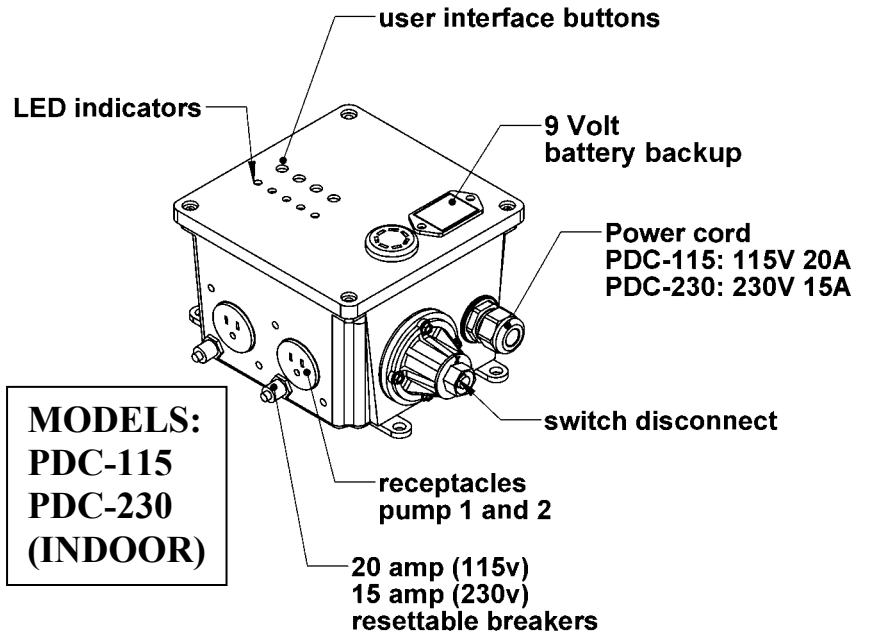
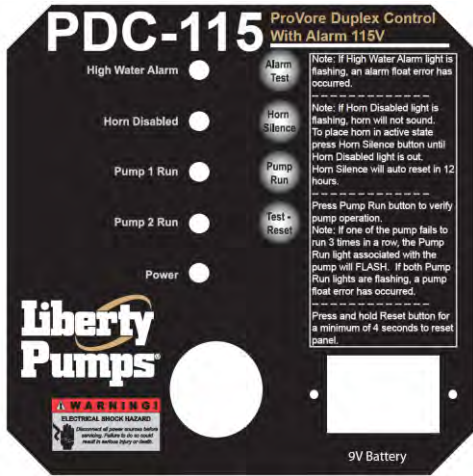
In 230V installations, one side on the line going to the pump is always "hot", whether the float switch is on or off. To avoid hazards, install a double pole disconnect near the pump installation.



Direct Wiring of 115V or 230V, Single Phase, Automatic Pumps P380 Systems

P680 duplex systems are connected to a controller that monitors the operation of the pumps. The controller will automatically alternate the two pumps each cycle to maintain equal wear. It will also monitor for high water conditions and alarms if necessary. The controller has visual indicators that show the operation of the sump as well as operator controls to test functionality. The controller will also identify a non-functioning component. For complete operation please reference the user manual for the controller.

Liberty offers both an indoor and outdoor version of the controller. Note, the cord ends must be removed in order to wire the outdoor version.



6. Maintenance and Troubleshooting

WARNING

Risk of electric shock. Always disconnect the pump from the power source before handling or making adjustments.

Problem	Cause	Correction
Pump will not run.	<ul style="list-style-type: none"> Blown fuse or other interruption of power; improper voltage. 	<ul style="list-style-type: none"> Check that the unit is securely plugged in. Have an electrician check all wiring for proper connections and adequate voltage and capacity.
	<ul style="list-style-type: none"> Switch is unable to move to the "turn on" position due to interference with the side of basin or other obstruction 	<ul style="list-style-type: none"> Position the pump or switch so that it has adequate clearance for free operation.
	<ul style="list-style-type: none"> Insufficient liquid level. 	<ul style="list-style-type: none"> Make sure the liquid level is allowed to rise enough to activate switch(s).
	<ul style="list-style-type: none"> Defective switch. 	<ul style="list-style-type: none"> Remove and replace switch.
Pump will not turn off.	<ul style="list-style-type: none"> Switch(s) unable to move to the "turn off" position due to interference with the side of basin or other obstacle. 	<ul style="list-style-type: none"> Position the pump or switch so that it has adequate clearance for free operation.
	<ul style="list-style-type: none"> Defective switch. 	<ul style="list-style-type: none"> Remove and replace switch.
Pump runs or hums, but does not pump.	<ul style="list-style-type: none"> Discharge is blocked or restricted. 	<ul style="list-style-type: none"> Check the discharge line for foreign material, including ice if the discharge line passes through or into cold areas.
	<ul style="list-style-type: none"> Check valve is stuck closed or installed backwards. 	<ul style="list-style-type: none"> Remove check valve(s) and examine for freedom of operation and proper installation.
	<ul style="list-style-type: none"> Gate or ball valve is closed. 	<ul style="list-style-type: none"> Open gate or ball valve.
	<ul style="list-style-type: none"> Total lift is beyond pump's capability. 	<ul style="list-style-type: none"> Try to route piping to a lower level. If not possible, a larger pump may be required. Consult the factory.
	<ul style="list-style-type: none"> Pump impeller is jammed or volute casing is plugged. 	<ul style="list-style-type: none"> *Remove the pump from the basin, remove cutter and cutter plate clean the area around the impeller, reassemble and reinstall. The center screw uses a 6mm hex drive. The screw can be heated to remove thread locking compound.
Pump runs periodically when fixtures are not in use.	<ul style="list-style-type: none"> Check valve was not installed, is stuck open or is leaking. 	<ul style="list-style-type: none"> Remove check valve(s) and examine for freedom of operation and proper installation.
	<ul style="list-style-type: none"> Fixtures are leaking. 	<ul style="list-style-type: none"> Repair fixtures as required to eliminate leakage.
Pump operates noisily.	<ul style="list-style-type: none"> Foreign objects in the impeller cavity. 	<ul style="list-style-type: none"> * Remove the pump from the basin, remove cutter and cutter plate clean the area around the impeller, reassemble and reinstall. The center screw uses a 6mm hex drive. The screw can be heated to remove thread locking compound.
	<ul style="list-style-type: none"> Broken impeller. 	<ul style="list-style-type: none"> Consult the factory for information regarding replacement of impeller.
	<ul style="list-style-type: none"> Worn bearings. 	<ul style="list-style-type: none"> Return pump to the factory or authorized repair station for repair.
	<ul style="list-style-type: none"> Piping attachments to building are too rigid. 	<ul style="list-style-type: none"> Replace a portion of the discharge line with rubber hose or connector.

***NOTE:** Liberty Pumps, Inc. assumes no responsibility for damage or injury due to disassembly in the field. Disassembly, other than at Liberty Pumps or its authorized service centers, automatically voids warranty.

Supplemental Installation Instructions

PRO 380XL & 680XL Series 10' stack test basins

XL-Series sewage ejector basins are designed to withstand the 10' stack test required by some municipalities. Proper installation of the specified cover flange is essential to ensure that the test is met. Strict adherence to these instructions is required. Under no circumstances should the cover be installed in a manner inconsistent with these instructions.

Types of Systems:

XL Series Basins are available as Fully Assembled Systems complete with pump and discharge piping; as basin and cover assembly kits with no pump or plumbing and as basins only. Please follow the instructions below as required to correspond to the type of system you have.

Basin Installation:

1. For all systems refer to the primary instructions as supplied with this ejector system or basin for excavating the pit, plumbing connections, and backfilling.
2. If the top of the basin is below grade, an access riser model ARC18 is required. The maximum burial depth of 18" with respect to the top of the basin. Consult Liberty Pumps or your distributor for more information on ARC Series Access Risers. 1-800-543-2550.

Installing the pump in the XL Series Basin or XL Basin and Cover Assembly Kit:

1. Liberty Pumps XL-Series basins purchased as separate components will require the appropriate 16-bolt Pro-Series cover assembly to make an effectively sealed ejector system. Contact the factory for the proper cover for your application.
2. Size the length of the discharge piping to reach from the discharge of the pump to be within the discharge pipe socket with integral lip seal on the underside of the Pro-Series cover. Liberty Pumps Provore® utilizes a 17.50" long (toe nipple) for the PRO 380XL and 680XL Series Basins. Install the pipe into the threaded discharge of the pump.
3. Lower the pump into the basin, fitting the pump legs into the Torque Stops.
4. Insert power cord for the pump -- and the piggyback switch cord, if so equipped -- through the underside of the inspection cover hole and position cover over pipe nipple while aligning the bolt holes. Use sixteen 1/4 - 20 UNC bolts and washers to secure cover to the basin. Tighten bolts to 40 inch-pounds. **WARNING:** Do not over tighten bolts. The soft, integral gasket will conform to the top of the tank. The bolts may be re-torqued up to 60 inch-pounds to seal any leaks that may occur during a 10' stack test. Additionally, a small amount of RTV silicone sealant may be used should the gasket or inserts be damaged.
5. Liberty Pumps recommends the use of manual type pumps and the appropriate Liberty QuickTree® switch kit for mounting of pump control and alarm floats. Contact the factory for ordering information. Install the QuickTree® Kit per the instructions included. Liberty Pumps automatic type pumps with piggyback float switches may also be used. Lay the power cable and switch cable in the grooves in the inspection cover recess as is shown in the primary instructions as included with this system. Attach the inspection cover to the main cover using six 1/4 - 20 UNC bolts and washers. Tighten the bolts furthest away from the power cord grooves first, torquing to 40 inch-pounds. **WARNING:** Do not over tighten bolts. The soft, integral gasket will conform to the top of the cover and power cords. The bolts may be re-torqued up to 60 inch-pounds to seal any leaks that may occur during a 10' stack test. Additionally, a small amount of RTV silicone sealant may be used should the gasket or inserts be damaged.



3 Year Limited Warranty

***NOTE:** Liberty Pumps, Inc. assumes no responsibility for damage or injury due to disassembly in the field. Disassembly, other than at Liberty Pumps or its authorized service centers, automatically voids warranty.

Liberty Pumps, Inc. warrants that pumps of its manufacture are free from all factory defects in material and workmanship for a period of 3 years from the date of purchase. The date of purchase shall be determined by a dated sales receipt noting the model and serial number of the pump. The dated sales receipt must accompany the returned pump if the date of return is more than 3 years from the "CODE" (date of manufacture) number noted on the pump nameplate.

The manufacturer's obligation under this Warranty shall be limited to the repair or replacement of any parts found by the manufacturer to be defective, provided the part or assembly is returned freight prepaid to the manufacturer or its authorized service center, and provided that none of the following warranty-voiding characteristics are evident.

The manufacturer shall not be liable under this Warranty if the product has not been properly installed; if it has been disassembled, modified, abused or tampered with; if the electrical cord has been cut, damaged or spliced; if the pump discharge has been reduced in size; if the pump has been used in water temperatures above the advertised rating, or water containing sand, lime, cement, gravel or other abrasives; if the product has been used to pump chemicals or hydrocarbons; if a non-submersible motor has been subjected to excessive moisture; or if the label bearing the serial, model and code number has been removed. Liberty Pumps, Inc. shall not be liable for any loss, damage or expenses resulting from installation or use of its products, or for consequential damages, including costs of removal, reinstallation or transportation.

There is no other express warranty. All implied warranties, including those of merchantability and fitness for a particular purpose, are limited to three years from the date of purchase.

This Warranty contains the exclusive remedy of the purchaser, and, where permitted, liability for consequential or incidental damages under any and all warranties are excluded.



7000 Apple Tree Avenue
Bergen, NY 14416
Phone: (800) 543-2550
Fax: (585) 494-1839
www.libertypumps.com

Systèmes de broyeurs résidentiels PROVORE^{MD} séries 380 et 680, 1HP

Modèles simples

- **P382XPRG101 – 1 HP, 115 volts**
- **P382XPRG102 – 1 HP, 230 volts**

Modèles doubles

Panneau de commande intérieur

- **P682XPRG101 – 1 HP, 115 volts**
- **P682XPRG102 – 1 HP, 230 volts**

Panneau de commande extérieur

- **P682XPRG101W – 1 HP, 115 volts**
- **P682XPRG102W – 1 HP, 230 volts**



Table des matières

- 0.) Renseignements généraux
- 1.) Le bassin
- 2.) Installation et raccordements
- 3.) QuickTree^{MD} et couvercle d'accès
- 4.) Entretien et fonctionnement des composants électriques
- 5.) Entretien et dépannage

IMPORTANT :

Avant l'installation, noter les numéros de modèle, de série et de code qui figurent sur la plaque signalétique pour éventuellement s'y référer.

N° de MODÈLE _____

N° de SÉRIE _____

CODE _____

Date d'installation _____

Liberty Pumps®

7000 Apple Tree Avenue
Bergen, NY 14416
Téléphone : (800) 543-2550
Télécopieur : (585) 494-1839
www.libertypumps.com



1. Renseignements généraux

Le système de broyeur résidentiel ProVore^{MD} 1 HP traite facilement les résidus solides et d'égout que l'on retrouve dans les utilisations domestiques types. Son système de couteau unique broie les déchets problématiques, puis les élimine par une ligne d'évacuation de 1½ po ou 2 po. Le système ProVore^{MD} est fourni avec une sortie de 2 po. **Ne pas augmenter la dimension de ce tuyau à plus de 2 po, puisque les débits nécessaires au bon fonctionnement pourraient ne pas être atteints.** La dimension des lignes d'évacuation peut être réduite à 1½ po ou 1¼ po. Veuillez consulter le fabricant pour connaître la dimension adéquate du tuyau et du système.

Lire attentivement les directives avant d'effectuer l'installation. Chaque pompe de marque Liberty est testée individuellement en usine pour assurer un bon fonctionnement. Le fait de suivre ces directives à la lettre éliminera les risques de dysfonctionnement et assurera des années de fonctionnement sans soucis.

⚠ AVERTISSEMENT

- **Danger d'électrocution.** Afin de réduire les dangers d'électrocution, toujours débrancher la pompe de sa source d'alimentation électrique avant de la manipuler.
- Les raccords électriques et le câblage pour l'installation de la pompe ne devraient être effectués que par des professionnels qualifiés.
- Cette pompe est fournie avec un conducteur de mise à la terre et une fiche de branchement de type mise à la terre. Afin de réduire les dangers d'électrocution, s'assurer que le conducteur de mise à la terre est raccordé seulement à un panneau de commande correctement mis à la terre, ou, s'il est muni d'une fiche avec mise à la terre, qu'elle est correctement mise à la terre.
- Ne pas dévier les fils de mise à la terre ou retirer la broche de mise à la terre des fiches de branchement.
- Ne pas retirer le cordon ni le réducteur de tension, et ne pas raccorder la canalisation électrique à la pompe.
- Ne pas utiliser de rallonge.
- Cette pompe nécessite un circuit de dérivation à part correctement protégé par un fusible et mis à la terre. S'assurer que la source d'alimentation électrique est suffisante pour répondre aux exigences de tension et d'intensité du courant électrique du moteur, tel qu'indiqué sur la plaque signalétique de la pompe.
- La prise électrique ou le panneau doivent se trouver à la portée du cordon d'alimentation de la pompe et à au moins 1,2 m (4 pieds) au-dessus du niveau du plancher pour minimiser les dangers possibles pouvant être causés par une inondation.
- Cette pompe ne doit pas être installée dans un endroit classé dangereux selon la norme ANSI/NFPA 70 du NEC (code national de l'électricité).
- L'installation doit être faite en respectant le code national de l'électricité et tous les codes locaux et règlements en vigueur.

⚠ MISE EN GARDE

- Ne pas utiliser ces pompes dans de l'eau dont la température est supérieure à 60 °C (140 °F)
- Le Uniform Plumbing Code (UPC, Code de plomberie universel) indique que les systèmes d'égout doivent être munis d'une d'alarme sonore et visuelle qui signale tout mauvais fonctionnement du système, afin de réduire les risques de dommages à la propriété.

Système : Le système de broyeur résidentiel ProVore^{MD} est expédié de l'usine entièrement monté. La grille suivante répertorie les pompes broyeuses disponibles. Votre modèle de pompe est identifié par le numéro de modèle figurant sur la plaque signalétique fixée sur le couvercle des systèmes de la série Pro.

Les systèmes Pro 380 commandés avec l'alarme facultative ont un suffixe « /A » qui désigne l'alarme. « /A2 » ...ALM-2, « /A2W » ...ALM-2W; tous les systèmes Pro 680 sont munis d'un système de commande intégrée avec alarme. Les systèmes sont également disponibles avec une rallonge de 20,32 cm (8 po) pour augmenter la hauteur du bassin. On identifie ces modèles par un X8, par exemple : P382X8XPRG101.

N° de modèle du système	Modèle de pompe	HP	Volts	Phase	Intensité maximale	FNPT Évacuation	Longueur min. d'arrêt (aucun débit)	Test de colonne de 3 m (10 pi)
P382XPRG101	PRG101M	1	115	1	12	2 po	13,5 M (45 PI)	OUI
P382XPRG102	PRG102M	1	230	1	6	2 po	13,5 M (45 PI)	OUI
P682XPRG101	PRG101M	1	115	1	12	2 po	13,5 M (45 PI)	OUI
P682XPRG102	PRG102M	1	230	1	6	2 po	13,5 M (45 PI)	OUI

Remarque : Tous les systèmes P380 simples ou P680 doubles sont expédiés avec des 16 boulons de couvercle et ont passé le test de colonne de 10 pi.

Les flotteurs de la pompe et de l'alarme du système QuickTree^{MD} sont réglés en usine au bon niveau de fonctionnement. Ne pas ajuster les flotteurs.

Les dimensions de votre système ont-elles été déterminées par un spécialiste? Un débit minimum de liquide est nécessaire dans les systèmes d'égout. Consulter le fabricant pour déterminer la taille de la pompe avant l'installation.

Technologie QuickTree^{MD} : Les systèmes P380 et P680 de ProVore^{MD} de Liberty Pumps sont dotés de la technologie de flotteur QuickTree^{MD}. Le système QuickTree^{MD} est situé sous un couvercle d'accès séparé pour faciliter l'entretien et les réparations. Les flotteurs pour actionner la pompe et l'alarme (le cas échéant) sont fixés sur un arbre d'acier inoxydable (tige), indépendant de la pompe. Il n'est pas nécessaire de défaire les raccords de plomberie ou de retirer la pompe pour examiner, entretenir ou remplacer les flotteurs. Les flotteurs QuickTree^{MD} sont réglés en usine pour un fonctionnement optimal et ne doivent pas être ajustés.

2. Le bassin

Les systèmes P380 et P680 de la gamme Provore^{MD} comportent un couvercle transparent de construction jetable conçu pour protéger le système durant les travaux d'installation et de maçonnerie. Le couvercle protecteur doit demeurer en place jusqu'à ce que les travaux de plomberie soient exécutés; cependant, il peut être démonté et réinstallé au besoin. Le couvercle est enclenché sur les orifices filetés du couvercle. Pour retirer le couvercle transparent, le soulever tout simplement des orifices filetés.

Installation dans le sol des bassins de la gamme Pro

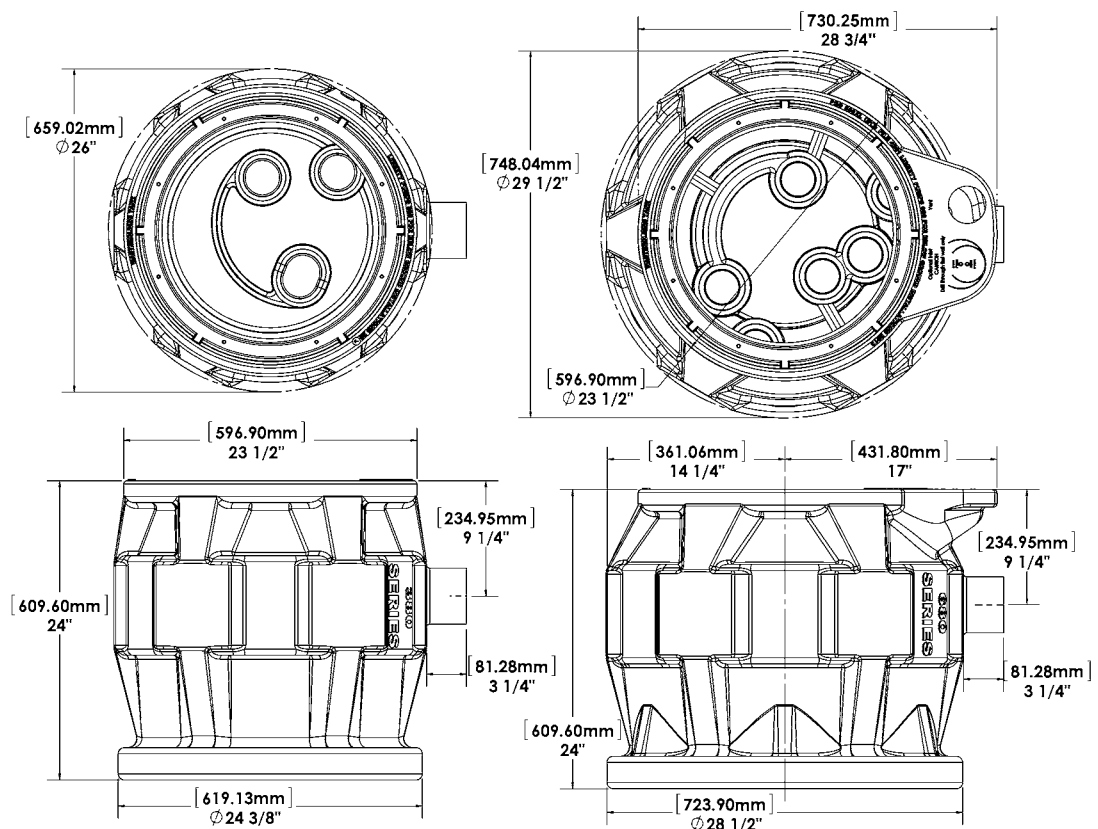
- A. **Excavation** : Creuser le trou le plus petit possible, avec un dégagement minimum recommandé de 20,32 cm (8 po) autour du réservoir. Ne jamais placer le bassin directement en contact avec des roches ou d'autres objets contondants. Placer uniquement du concassé fin lavé de 3 à 19 mm (1/8 à 3/4 po) ou 3 à 13 mm (1/8 à 1/2 po) comme matériau de remplissage entre le bassin et les parois du trou. Ne pas utiliser de sable ni de terre d'origine pour remplir le trou. Compacter convenablement sous le bassin afin de fournir une base solide et bien au niveau capable de supporter le poids du bassin, une fois rempli. Il est recommandé de placer la bride supérieure du bassin au même niveau que le plancher fini.
- B. **Remplissage initial** : Utiliser uniquement du concassé fin lavé de 3 à 19 mm (1/8 à 3/4 po) ou 3 à 13 mm (1/8 à 1/2 po) entre le fond du trou et le bassin pour le maintenir en place. Ne pas utiliser de sable ni de terre d'origine pour remplir le trou. Raccorder l'arrivée des eaux usées au bassin selon les besoins.
- C. **Raccord d'admission** : Les bassins Liberty de la série P380 et P680 sont munis d'une ouverture d'admission de 4 po moulée dans le côté du réservoir. La dimension de cette entrée est faite pour convenir à un raccordement de 4 po sans emboîtement. Raccorder la canalisation d'écoulement provenant des accessoires à ce raccord.
- D. **Remplissage final** : On ne doit pas laisser de grosses roches, des mottes et d'autres corps étrangers dans le matériau de remplissage. Seul le concassé fin lavé de 3 à 19 mm (1/8 à 3/4 po) ou 3 à 13 mm (1/8 à 1/2 po) est recommandé comme matériau de remplissage. Ne pas utiliser de sable ni de terre d'origine pour remplir le trou. Faire un petit monticule avec le matériau de remplissage, afin de le laisser se tasser naturellement. Prévoir un accès au couvercle du bassin pour les travaux d'entretien et de réparation.



Ne pas exercer de pression importante ni utiliser de matériel lourd sur le matériau de remplissage, car cela pourrait causer l'affaissement du réservoir.

Données sur les dimensions : Modèles PRO380 simples

Modèles PRO680 doubles

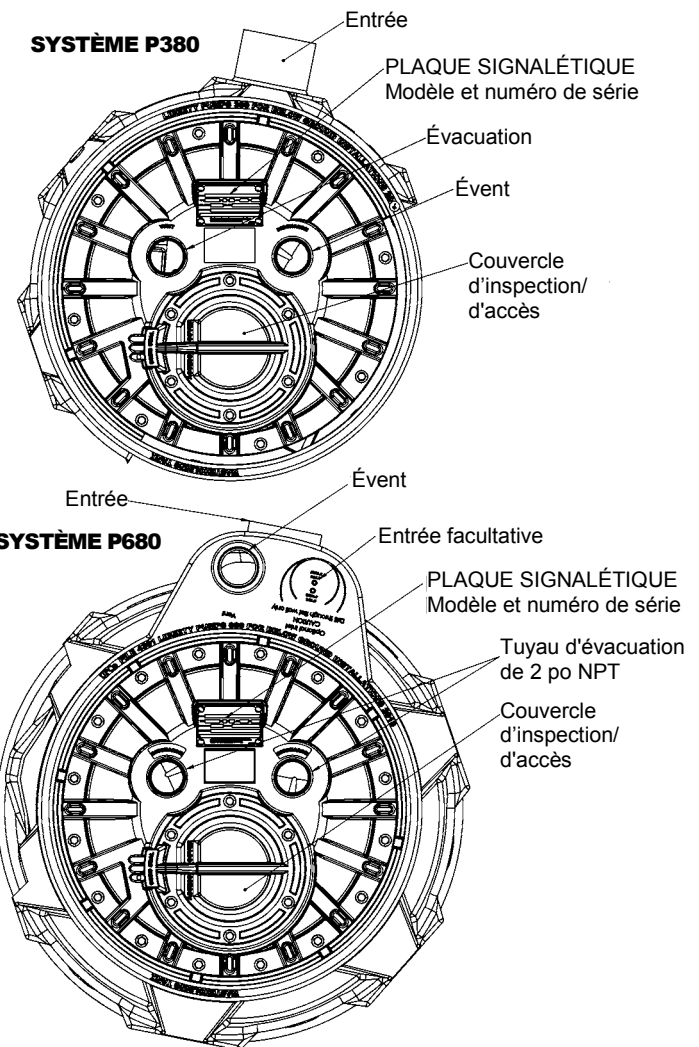


3. Installation et raccordements

- A. **Évacuation** : Raccorder le tuyau d'évacuation à l'orifice fileté de 2 po fourni sur le couvercle à l'aide d'un adaptateur. **IMPORTANT** : REMARQUE : Ce système ProVore^{MD} est fourni avec une sortie de 2 po. **Ne pas augmenter la dimension de ce tuyau à plus de 2 po, puisque les débits nécessaires au bon fonctionnement pourraient ne pas être atteints.** La dimension des lignes d'évacuation peut être réduite à 1½ po ou 1¼ po. Communiquer avec Liberty Pumps pour toute question au sujet des dimensions de tuyaux et débits adéquats.

Installer le tuyau d'évacuation qui reste. Il est conseillé d'installer un raccord union juste au-dessus du couvercle, pour faciliter le retrait de la pompe si nécessaire. On recommande l'installation d'un clapet antiretour après le raccord union afin de prévenir le refoulement du liquide après chaque cycle de la pompe. Un robinet-vanne ou clapet à bille doit suivre le clapet antiretour afin de permettre le nettoyage périodique du clapet antiretour ou le retrait de la pompe. Le reste de la canalisation d'évacuation devrait être le plus court possible et comporter un nombre minimum d'angles, afin de réduire la perte de puissance due à la friction. Communiquer avec Liberty Pumps ou un autre spécialiste pour toute question au sujet des dimensions des tuyaux et débits adéquats.

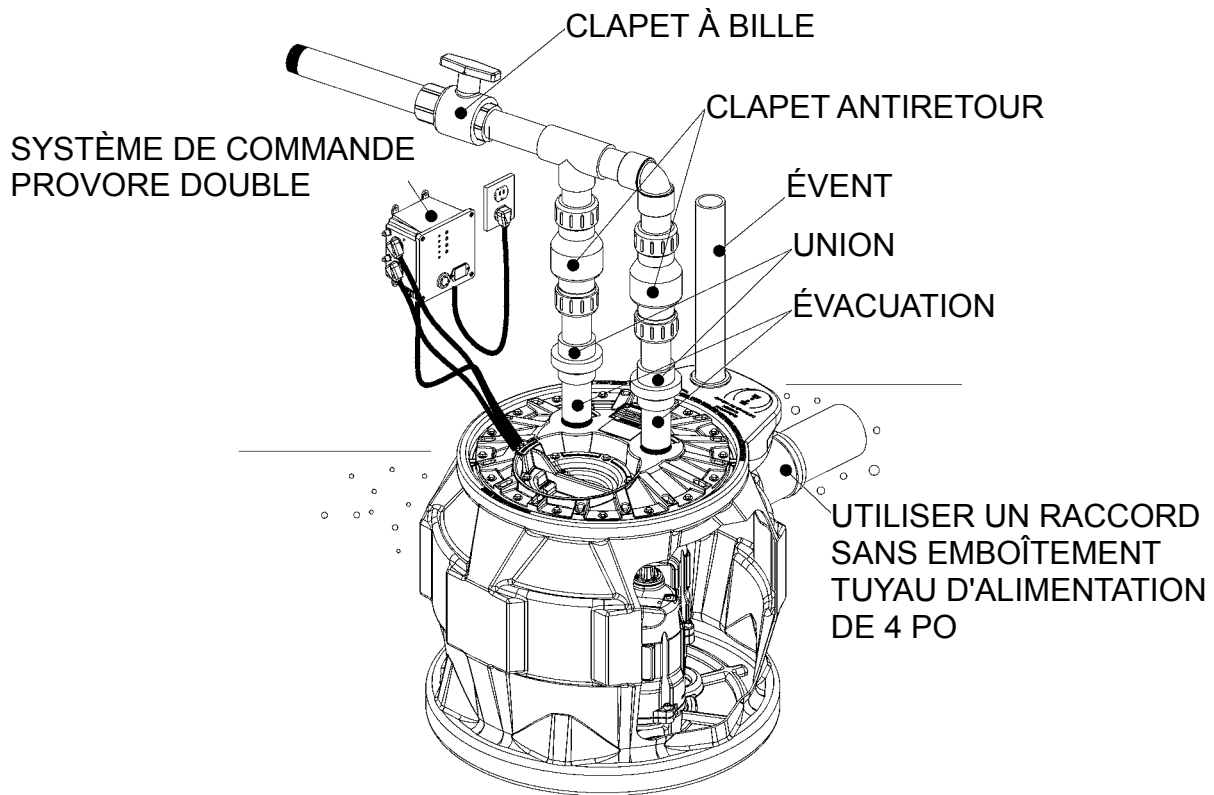
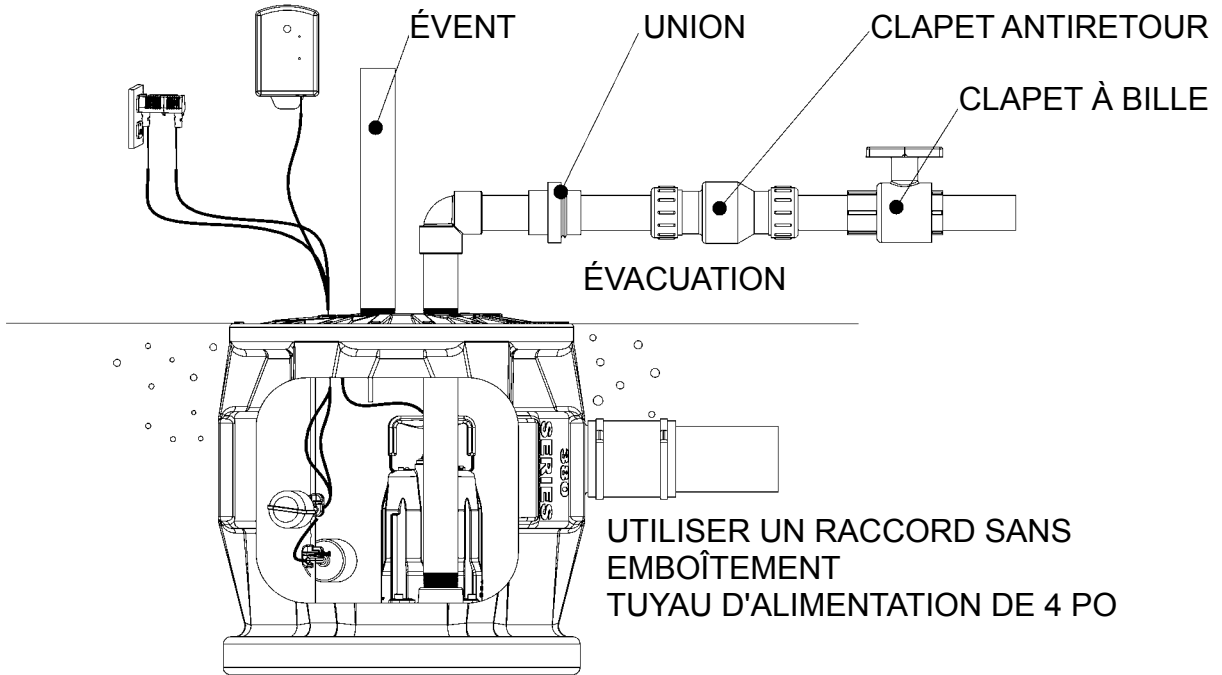
- B. **Évent** : Un raccordement fileté de 2 po ou 3 po est fourni au sommet du couvercle du SYSTÈME P380 ou un Uni-Seal à montage rapide de 2 po ou 3 po sur un SYSTÈME P680; l'évent doit être relié à la colonne de ventilation existante du bâtiment, ou dirigé vers l'extérieur par sa propre colonne montante. La dimension de l'évent doit respecter les codes en vigueur, mais jamais être inférieure à celle du tuyau d'évacuation.



Installation type

Il s'agit d'une forme d'installation recommandée fournie à titre d'exemple. Les installations particulières peuvent varier.

ALARME (FACULTATIVE)



4. QuickTree^{MD} et couvercle d'accès

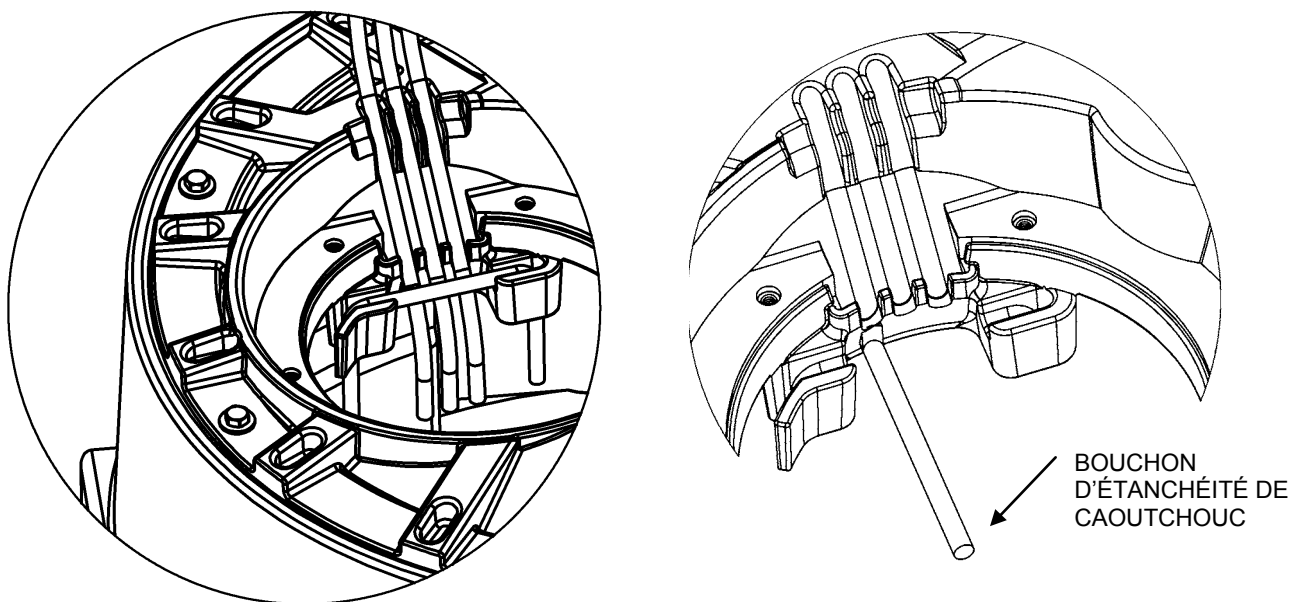
Les systèmes P380 et P680 de ProVore^{MD} sont dotés de la technologie de flotteur QuickTree^{MD}. Le système de flotteur QuickTree^{MD} comprend une tige de fixation en acier inoxydable (arbre) et des pinces de support à cordon spécialement conçues pour fixer le flotteur de la pompe et le flotteur de l'alarme (facultative) au système. **Tous les flotteurs sont réglés en usine pour un fonctionnement optimal et ne nécessitent aucun réglage. REMARQUE : Tout réglage des flotteurs effectué sur le terrain risque de causer le mauvais fonctionnement ou l'arrêt de la pompe et de l'alarme facultative.**

Retrait du dispositif QuickTree^{MD} et inspection du flotteur : Le système QuickTree^{MD} est situé sous un couvercle d'accès distinct pour faciliter l'inspection, l'entretien et la réparation des flotteurs. Déboulonner tout simplement le couvercle d'accès et soulever le module QuickTree^{MD} de son support pour inspecter le(s) flotteur(s). Il n'est pas nécessaire de défaire les raccords de plomberie ni de retirer la pompe. Les systèmes de la Série Pro sont munis d'une pompe broyeuse manuelle (sans interrupteur raccordé directement à la pompe). Le fonctionnement de la pompe est assuré par le système QuickTree^{MD}.

Remise en place du QuickTree^{MD} : Après les travaux d'entretien ou d'inspection des flotteurs, remettre le QuickTree^{MD} en place sur son support. Il est important d'assurer adéquatement l'étanchéité des cordons de la pompe, de l'interrupteur à flotteur et de l'alarme facultative, tel que décrit ci-dessous dans le paragraphe sur le système intégré d'étanchéité des cordons.

Système intégré d'étanchéité des cordons : Il est important d'assurer adéquatement l'étanchéité des cordons du moteur de la pompe, de l'interrupteur à flotteur et de l'alarme facultative dans les tuyaux d'étanchéité spécialement conçus situés sous le couvercle d'accès. Une bonne étanchéité est nécessaire pour que les émanations d'égout ne s'échappent pas du système. Placer les cordons solidement en place dans les tuyaux de caoutchouc, tel qu'illustré à la FIGURE B en prenant soin d'éviter que les cordons n'aient trop de jeu dans le système. **IMPORTANT :** Trois tuyaux à cordons sont fournis. Dans le cas des systèmes sans alarme facultative, seuls deux canaux seront utilisés et le troisième doit être bouché à l'aide d'un bouchon d'étanchéité de caoutchouc fourni. **CONSULTER LA FIGURE C.** S'il y a un cordon d'alarme, les trois canaux serviront. Tous les joints d'étanchéité en caoutchouc du couvercle sont fixés de manière permanente et n'ont pas besoin d'être remplacés.

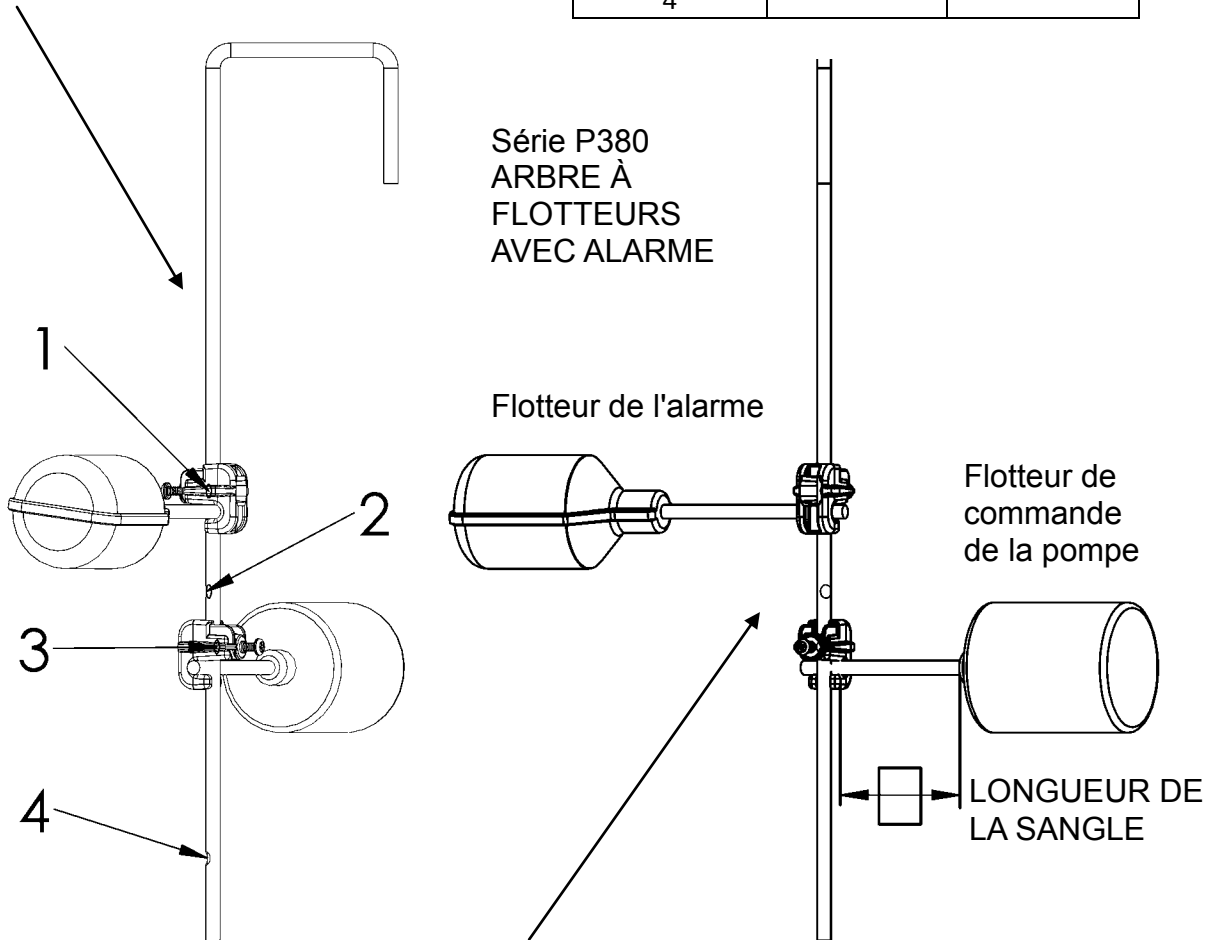
IMPORTANT : Bien assurer l'étanchéité des cordons, derrière la tige QuickTree^{MD}



Réglages QuickTree^{MD} pour les systèmes ProVore^{MD} :

Les positions de flotteur 1, 2, 3 et 4 sont identifiées par une marque plate estampée dans la tige d'acier inoxydable. 1 est le niveau le plus haut, 4 le plus bas.

POSITION DE LA TIGE	LONGUEUR DE LA SANGLE (DE L'INTERRUPTEUR À LA BRIDE)	
	P380 et P680 :	
	Flotteur de l'alarme	Commande à flotteur
1	3,5 po	
2		
3		3,0 po
4		



Les flotteurs de commande et d'alarme sont dotés de sangles de différentes longueurs. Voir le tableau ci-dessus pour connaître la bonne longueur de sangle et position de tige.

Pour effectuer l'entretien du QuickTree^{MD}, placer le cordon de l'interrupteur dans le canal ou tuyau, puis faire glisser la tige d'acier inoxydable à travers la pince et visser la vis à l'aide d'un tournevis cruciforme Philips; ne pas trop serrer. La tige a été aplatie pour désigner l'emplacement du flotteur. Il faut resserrer la vis pour qu'elle s'appuie sur la marque plate. La longueur de la sangle représente la longueur de cordon entre la pince et le flotteur.

5. Entretien et fonctionnement des composants électriques

⚠ AVERTISSEMENT

- **Danger d'électrocution.** Toujours débrancher la pompe de l'alimentation électrique avant de la manipuler ou d'y effectuer des réglages.
- Les raccords électriques et le câblage pour l'installation de la pompe ne devraient être effectués que par des professionnels qualifiés.
- Cette pompe est fournie avec un conducteur de mise à la terre et une fiche de branchement de type mise à la terre. Afin de réduire les dangers d'électrocution, s'assurer que le conducteur de mise à la terre est raccordé seulement à un panneau de commande correctement mis à la terre, ou, s'il est muni d'une fiche avec mise à la terre, qu'elle est correctement mise à la terre.
- Ne pas dévier les fils de mise à la terre ou retirer la broche de mise à la terre des fiches de branchement.
- Ne pas retirer le cordon ni le réducteur de tension, et ne pas raccorder la canalisation électrique à la pompe.
- Ne pas utiliser de rallonge.
- Cette pompe nécessite un circuit de dérivation à part correctement protégé par un fusible et mis à la terre. S'assurer que la source d'alimentation électrique est suffisante pour répondre aux exigences de tension et d'intensité du courant électrique du moteur, tel qu'indiqué sur la plaque signalétique de la pompe.
- La prise électrique ou le panneau doivent se trouver à la portée du cordon d'alimentation de la pompe et à au moins 1,2 m (4 pieds) au-dessus du niveau du plancher pour minimiser les dangers possibles pouvant être causés par une inondation.
- L'installation doit être faite en respectant le code national de l'électricité et tous les codes locaux et règlements en vigueur.

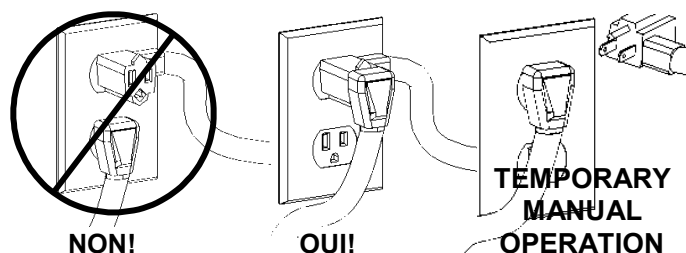
Tous les modèles P380 sont munis d'un flotteur en usine et l'interrupteur à flotteur est fixé sur le module QuickTree^{MD}. Ces modèles sont munis de deux cordons : l'un relié à l'interrupteur à flotteur et l'autre au moteur de la pompe. Le cordon de l'interrupteur est muni d'un connecteur en série (siamois) permettant de brancher le cordon de la pompe (moteur) sur son dos (voir Fig.4). Ce système a pour but de permettre le fonctionnement manuel de la pompe. Remarque : Le disjoncteur doit commander la mise en marche et la mise hors fonction de la pompe.

Pour un fonctionnement automatique, les deux cordons doivent être interconnectés et branchés dans une prise d'une intensité en ampères suffisante pour le modèle de pompe choisi, avec fusibles indépendants et mise à la terre. (Voir section 1, Renseignements généraux, ou la plaque signalétique de la pompe pour connaître les caractéristiques électriques du modèle.) Les deux cordons sont munis de fiches à trois broches et doivent être branchés dans une prise à trois broches avec mise à la terre adéquate. NE PAS RETIRER LA BROCHE DE MISE À LA TERRE.

En cas de défaillance de l'interrupteur, le cordon de la pompe peut être séparé et branché dans la prise électrique, en contournant directement l'interrupteur. On doit uniquement faire fonctionner les pompes 115 et 230 volts monophasées sans l'interrupteur à flotteur en utilisant le disjoncteur ou l'interrupteur du panneau. Ne pas laisser la pompe fonctionner à sec.

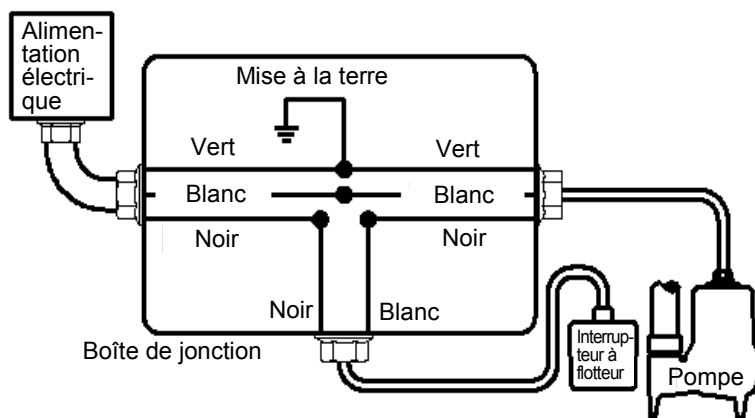
Si la pompe doit être branchée directement dans un dispositif de commande ou une boîte de connexion, et qu'il est nécessaire de retirer les fiches, faire raccorder le câblage par un électricien autorisé en respectant les normes du code national de l'électricité et des codes locaux en vigueur.

Figure 4 Installation de prises siamaises



⚠ AVERTISSEMENT

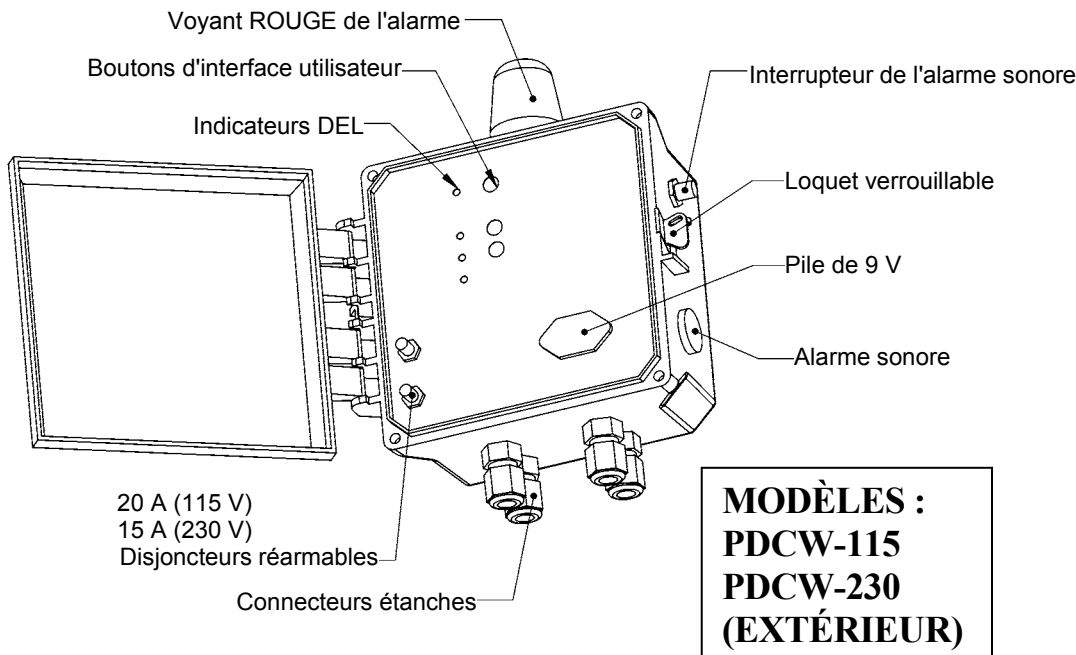
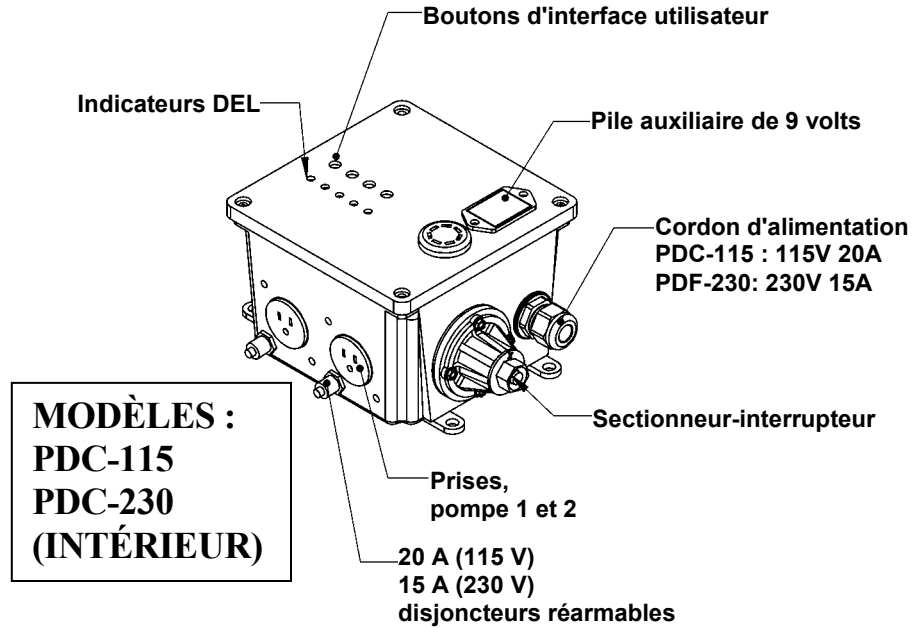
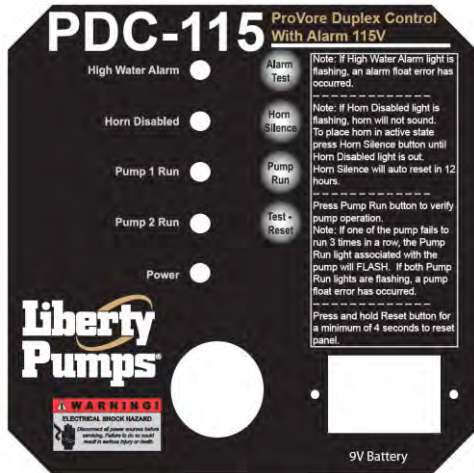
Dans les installations 230 V, un côté du câble allant vers la pompe est toujours sous tension, que l'interrupteur à flotteur soit en position de marche ou d'arrêt. Pour éviter les risques d'électrocution, installer un interrupteur bipolaire près de l'installation de la pompe.



Câblage direct de pompes P380 monophasées, automatiques 115 V ou 230 V,

Les systèmes P680 doubles sont reliés à un régulateur qui surveille le fonctionnement des pompes. Le régulateur activera automatiquement les deux pompes en alternance à chaque cycle afin de répartir l'usure uniformément. Il surveillera également les situations de niveau d'eau élevé et les alarmes si nécessaire. Le régulateur dispose d'indicateurs visuels qui montrent le fonctionnement du puisard ainsi que de commandes de l'opérateur pour tester les fonctionnalités. Le régulateur identifie également les composants qui ne fonctionnent pas. Pour bien comprendre le fonctionnement du régulateur, veuillez consulter le manuel de l'utilisateur.

Liberty offre une version intérieure et extérieure du régulateur. Il est à noter qu'il est nécessaire de retirer l'extrémité du cordon afin de raccorder la version extérieure.



6. Entretien et dépannage

⚠ AVERTISSEMENT

Danger d'électrocution. Toujours débrancher la pompe de l'alimentation électrique avant de la manipuler ou d'y effectuer des réglages.

Problème	Cause	Mesure correctrice
La pompe ne fonctionne pas.	<ul style="list-style-type: none"> Fusible brûlé ou autre interruption d'alimentation, tension inadéquate. 	<ul style="list-style-type: none"> S'assurer que le branchement de l'appareil est sécuritaire. Demander à un électricien de vérifier tous les câbles au niveau des branchements et de s'assurer que la capacité et l'intensité sont adéquates.
	<ul style="list-style-type: none"> * L'interrupteur ne peut se mettre en position de marche en raison de l'interférence du côté du bassin ou d'un autre type d'obstacle. 	<ul style="list-style-type: none"> Placer la pompe ou l'interrupteur de manière à ce que le dégagement soit suffisant pour bien fonctionner.
	<ul style="list-style-type: none"> Niveau de liquide insuffisant. 	<ul style="list-style-type: none"> S'assurer que le niveau de liquide peut s'élever suffisamment pour activer le(s) interrupteur(s).
	<ul style="list-style-type: none"> Interrupteur défectueux. 	<ul style="list-style-type: none"> Remplacer l'interrupteur s'il est défectueux.
La pompe refuse de s'éteindre.	<ul style="list-style-type: none"> Le(s) interrupteur(s) ne peu(ven)t se mettre en position d'arrêt en raison de l'interférence du côté du bassin ou d'un autre type d'obstacle. 	<ul style="list-style-type: none"> Placer la pompe ou l'interrupteur de manière à ce que le dégagement soit suffisant pour bien fonctionner.
	<ul style="list-style-type: none"> Interrupteur défectueux. 	<ul style="list-style-type: none"> Remplacer l'interrupteur s'il est défectueux.
La pompe tourne ou gronde, mais ne pompe pas.	<ul style="list-style-type: none"> Conduits d'évacuation bloqués ou restreints. 	<ul style="list-style-type: none"> Vérifier dans la canalisation d'évacuation qu'il n'y ait pas de corps étrangers, y compris de formation de glace si la canalisation d'évacuation se trouve dans des zones froides ou les traverse.
	<ul style="list-style-type: none"> Clapet antiretour bloqué en position fermée ou incorrectement installé. 	<ul style="list-style-type: none"> Retirer tout clapet antiretour et vérifier qu'il fonctionne librement et est bien installé.
	<ul style="list-style-type: none"> Robinet vanne ou clapet à bille fermé. 	<ul style="list-style-type: none"> Ouvrir le robinet-vanne ou le clapet à bille.
	<ul style="list-style-type: none"> La charge ascensionnelle totale dépasse la capacité de la pompe. 	<ul style="list-style-type: none"> Essayer de rediriger le tuyau à un niveau inférieur. Si c'est impossible, il faut probablement se procurer une pompe plus puissante. Consulter le fabricant.
	<ul style="list-style-type: none"> Le rotor de la pompe est bloqué ou le corps de pompe en spirale est bouché. 	<ul style="list-style-type: none"> *Retirer la pompe du bassin, retirer le couteau et la plaque de coupe, nettoyer la zone entourant le rotor, remonter et réinstaller. Utiliser un tournevis hexagonal de 6 mm pour la vis centrale. On peut chauffer la vis pour en retirer le composé frein-filet.
La pompe tourne périodiquement lorsque les accessoires ne sont pas utilisés.	<ul style="list-style-type: none"> Clapet antiretour non installé, bloqué en position ouverte ou qui fuit. 	<ul style="list-style-type: none"> Retirer tout clapet antiretour et vérifier qu'il fonctionne librement et est bien installé.
	<ul style="list-style-type: none"> Les accessoires coulent. 	<ul style="list-style-type: none"> Réparer les accessoires au besoin pour éliminer les fuites.
La pompe fait du bruit.	<ul style="list-style-type: none"> Corps étrangers dans les cavités du rotor. 	<ul style="list-style-type: none"> * Retirer la pompe du bassin, retirer le couteau et la plaque de coupe, nettoyer la zone entourant le rotor, remonter et réinstaller. Utiliser un tournevis hexagonal de 6 mm pour la vis centrale. On peut chauffer la vis pour en retirer le composé frein-filet.
	<ul style="list-style-type: none"> Rotor brisé. 	<ul style="list-style-type: none"> Consulter le fabricant pour obtenir de l'information au sujet du remplacement du rotor.
	<ul style="list-style-type: none"> Coussinets usés. 	<ul style="list-style-type: none"> Retourner la pompe au fabricant ou la faire réparer par un réparateur autorisé.
	<ul style="list-style-type: none"> Raccordements des tuyaux à la structure de la maison trop rigides. 	<ul style="list-style-type: none"> Remplacer une partie du tuyau d'évacuation par un boyau ou un raccord en caoutchouc.

***REMARQUE** : Liberty Pumps, Inc. n'est pas responsable des dommages ou blessures résultant d'un démontage sur le terrain. Le démontage effectué ailleurs que chez Liberty Pumps ou à l'un de ses centres de services autorisés annule automatiquement la garantie.

Instructions d'installation complémentaires

Bassins de test de colonne de 10 pi - série PRO 380XL et 680XL

Les bassins d'évacuation de la série XL sont conçus pour supporter les tests de colonne de 10 pi exigés par certaines municipalités. La bride de couvercle doit être adéquatement installée pour assurer le respect des critères de test. Il est essentiel de respecter rigoureusement ces instructions. En aucun cas l'installation du couvercle ne doit différer de ces instructions.

Types de systèmes :

Plusieurs modèles de bassins de la série XL sont disponibles : système entièrement préassemblé avec pompe et conduite d'évacuation, système avec bassin et couvercle sans pompe ni tuyauterie, et bassin uniquement. Veuillez suivre les instructions ci-dessous selon le type de système que vous possédez.

Installation du bassin :

1. Indépendamment du système que vous possédez, vous devez en premier lieu vous référer aux instructions de base fournies avec le système d'évacuation complet ou le bassin pour tous les renseignements concernant l'excavation du puits, les raccords de tuyauterie et le remplissage.
2. Si le dessus du bassin est enfoui sous le niveau du sol, un tuyau d'élévation d'accès (modèle ARC 18) est nécessaire. Le dessus du bassin doit se trouver à une profondeur maximale de 46 cm (18 po) sous le sol. Veuillez communiquer avec Liberty Pumps ou avec le distributeur de votre région pour obtenir plus de renseignements sur les tuyaux d'élévation d'accès de la série ARC. 1-800-543-2550

Installation de la pompe dans le bassin de série XL ou de série XL avec système de couvercle :

1. Les bassins de la série XL de Liberty Pumps achetés séparément devront être utilisés conjointement avec l'assemblage de couvercle de la série Pro (16 boulons) afin d'offrir un système d'évacuation parfaitement hermétique. Communiquez avec le fabricant afin de trouver le couvercle adéquat pour votre application.
2. Assurez-vous que la conduite d'évacuation est de longueur suffisante pour être raccordée à la douille d'évacuation à étanchéité incorporée de la pompe, située sur la face intérieure du couvercle de la série Pro. Les pompes Provore^{MD} de Liberty Pumps utilisent des embouts filetés d'une longueur de 44,45 cm (17,50 po) pour les bassins de série PRO 380XL et 680XL. Raccordez le tuyau à la sortie filetée de la pompe.
3. Descendez la pompe dans le bassin en vous assurant d'insérer les pattes de la pompe dans les butées de torsion.
4. Glissez le cordon d'alimentation de la pompe (ainsi que le cordon de l'interrupteur siamois, le cas échéant) par la partie inférieure de l'orifice du couvercle d'inspection et placez le couvercle sur le mamelon tout en alignant les orifices des boulons. Utilisez 16 boulons et rondelles 20 UNC ¼ po pour fixer le couvercle au bassin. Serrez les boulons à 40 pouces-livres. **MISE EN GARDE** : Ne serrez pas trop les boulons. Le joint souple intégré s'ajustera sur la paroi supérieure du réservoir. Vous pouvez resserrer les boulons à 60 pouces-livres pour colmater les fuites qui peuvent survenir lors d'un test de colonne de 10 pi. Vous pouvez également utiliser une petite quantité de silicone (à vulcanisation à la température de la pièce) si le joint est endommagé.
5. Liberty Pumps recommande d'utiliser des pompes de type manuel avec une trousse Liberty QuickTree^{MD} adaptée pour assembler la commande de la pompe et les flotteurs d'alarme. Communiquez avec le fabricant pour obtenir de l'information pertinente. Installez la trousse QuickTree^{MD} selon les instructions fournies. Il est également possible d'utiliser les pompes Liberty Pumps de type automatique avec interrupteur à flotteur « siamois ». Placez le câble d'alimentation et le câble de l'interrupteur dans les rainures de l'orifice du couvercle d'inspection, tel qu'il est illustré dans les instructions de base fournies avec ce système. Fixez le couvercle d'inspection au couvercle principal en utilisant six boulons et rondelles 20 UNC ¼ po. Serrez d'abord les boulons les plus éloignés des rainures du câble d'alimentation à 40 pouces-livres. **MISE EN GARDE** : Ne serrez pas trop les boulons. Le joint souple intégré s'ajustera sur la paroi supérieure du couvercle et des cordons d'alimentation. Vous pouvez resserrer les boulons à 60 pouces-livres pour colmater les fuites qui peuvent survenir lors d'un test de colonne de 10 pi. Vous pouvez également utiliser une petite quantité de silicone (à vulcanisation à la température de la pièce) si le joint est endommagé.



Bassins de la série 380XL et 680XL conformes à IAPMO, n° 4361.

Garantie limitée de 3 ans

***REMARQUE :** Liberty Pumps, Inc. n'est pas responsable des dommages ou blessures résultant d'un démontage sur le terrain. Le démontage effectué ailleurs que chez Liberty Pumps ou à l'un de ses centres de services autorisés annule automatiquement la garantie.

Liberty Pumps, Inc. garantit que les pompes sortant de son usine sont exemptes de tout défaut de matériau et de fabrication pour une période de 3 ans à partir de la date d'achat. La date d'achat sera établie par une facture d'achat datée indiquant les numéros de modèle et de série de la pompe. La pompe retournée doit être accompagnée de la facture d'achat datée si la date de retour se situe à plus de 3 ans du numéro de « CODE » (date de fabrication) indiqué sur la plaque signalétique de la pompe.

L'obligation de garantie du fabricant se limite à la réparation ou au remplacement de toute pièce jugée défectueuse par le fabricant, à condition que la pièce ou l'appareil soit retourné franco de port au fabricant ou à son centre de service autorisé et à condition qu'il n'y ait aucune preuve que les critères suivants annulant la garantie sont en cause.

Le fabricant ne peut en aucun cas être tenu responsable, selon les dispositions de cette garantie, si le produit n'a pas été correctement installé; s'il a été démonté, modifié, soumis à un usage abusif ou endommagé; si le cordon électrique a été coupé, endommagé ou ligaturé; si la taille du tuyau d'évacuation de la pompe a été réduite; si la pompe a été utilisée pour pomper de l'eau d'une température supérieure aux recommandations ci-dessus ou de l'eau contenant du sable, de la chaux, du ciment, du gravier ou autres matières abrasives; si le produit a été utilisé pour pomper des produits chimiques ou des hydrocarbures; si un moteur non submersible a été exposé à de l'humidité excessive; ou si l'étiquette portant le numéro de série, de modèle et de code a été retirée. Liberty Pumps, Inc. ne pourra être tenue responsable des pertes, dommages, frais attribuables à l'installation ou l'utilisation de ses produits ni pour les dommages accessoires ou consécutifs, y compris les coûts de retrait, de réinstallation ou de transport.

Il n'y a aucune autre garantie expresse. Toute garantie implicite, y compris celles de qualité marchande et d'aptitude à une fin particulière est limitée à trois ans à partir de la date d'achat.

Cette garantie contient le recours exclusif de l'acheteur et exclut, lorsque permis par la loi, toute responsabilité pour dommages consécutifs ou accessoires en vertu de toutes autres garanties.



7000 Apple Tree Avenue
Bergen (NY) 14416, États-Unis
Téléphone : 1 800 543-2550
Télécopieur : 585 494-1839
www.libertypumps.com

Sistemas trituradores residenciales de 1 hp. de las series PROVORE® 380 y PROVORE® 680

Modelos simples

- **P382PRG101 – 1 hp., 115 Voltios**
- **P382PRG101 – 1 hp., 230 Voltios**

Modelos dobles

Panel de control interior

- **P382PRG101 – 1 hp., 115 Voltios**
- **P382PRG102 – 1 hp., 230 Voltios**

Panel de control exterior

- **P382PRG101W – 1 hp., 115 Voltios**
- **P382PRG102W – 1 hp., 230 Voltios**



Índice

- 0.) Información general
- 1.) La cubeta
- 2.) Instalación y conexiones
- 3.) QuickTree® y tapa de acceso
- 4.) Servicio eléctrico y operación
- 5.) Mantenimiento y diagnóstico de problemas

Liberty Pumps®

7000 Apple Tree Avenue
Bergen, NY 14416
Teléfono: (800) 543-2550
Fax: (585) 494-1839
www.libertypumps.com

IMPORTANTE:

antes de instalar la bomba, apunte el modelo, el número de serie y el código que aparecen en la placa de identificación de la bomba para que le sirvan de referencia en el futuro.

MODELO _____
SERIE _____
CÓDIGO _____
FECHA DE INSTALACIÓN _____



1. Información general

El sistema triturador residencial ProVore® de 1 hp. se hace cargo fácilmente de sólidos y residuos de alcantarillado que se encuentran en aplicaciones residenciales típicas. Su sistema de corte exclusivo tritura los residuos difíciles y luego los bombea por una línea de desagüe de 3.81 cm o 5.08 cm (1-1/2 pulg. o 2 pulg.) El sistema ProVore® cuenta con una salida de descarga de 5.08 cm (2 pulg.). **No aumente este tamaño de tubo por encima de 5.08 cm (2 pulg.), pues tal vez no se alcancen los caudales adecuados para la operación adecuada.** Los tamaños del desagüe se pueden reducir a 2.54 - 1.27 cm (1-1/2 pulg.) o 2.54 - 0.63 cm (1-1/4 pulg.) Consulte con la fábrica el tamaño adecuado del tubo y del sistema.

Lea con atención estas instrucciones antes de instalar la unidad. Todas las bombas de Liberty se someten individualmente a pruebas en fábrica para garantizar un funcionamiento adecuado. Siga estas instrucciones al pie de la letra para prevenir problemas de funcionamiento y asegurar años de servicio satisfactorio.

⚠ ADVERTENCIA

- **Riesgo de descarga eléctrica.** Desenchufe la bomba siempre que vaya a moverla o a realizar algún ajuste, para evitar una posible electrocución.
- Solo personal cualificado deberá encargarse de instalar las conexiones y cables eléctricos necesarios para montar la bomba.
- Esta unidad lleva un conector a tierra y un enchufe tomacorriente con conexión a tierra. Para reducir el riesgo de descargas eléctricas, el conector de puesta a tierra tiene que estar conectado a un panel de control a tierra. Si lleva un enchufe a tierra tendrá que enchufarse a un tomacorriente conectado a tierra.
- No derive los cables de puesta a tierra ni retire las espigas a tierra de los enchufes.
- No quite el cable ni la protección contra tirones, y no conecte el canal para cables a la bomba.
- No use extensiones eléctricas.
- Con esta bomba, hay que utilizar un circuito derivado independiente conectado a tierra y con fusibles. La fuente de alimentación tendrá que tener suficiente capacidad para cumplir los requisitos de voltaje y amperaje del motor, indicados en la placa de la bomba.
- El tomacorriente o panel deberá encontrarse al alcance del cable de alimentación de la bomba y a 1.22 metros (4 pies) como mínimo por encima del piso para evitar problemas en caso de inundación.
- Estas bombas no se deberán instalar en un lugar clasificado como peligroso según el Código Eléctrico Nacional de Estados Unidos, ANSI/NFPA 70.
- Se deberá instalar la unidad según las disposiciones del Código Eléctrico Nacional de Estados Unidos y todos los códigos y reglamentos locales que correspondan.

⚠ PRECAUCIÓN

- La bomba no se debe utilizar con agua a una temperatura superior a 60 °C (140 °F).
- El Código uniforme de plomería (UPC) de Estados Unidos exige que todos los sistemas de saneamiento dispongan de una alarma visual y sonora que indique averías del sistema con el fin de evitar daños a la propiedad.

Sistema: El sistema triturador residencial ProVore® se envía de la fábrica totalmente armado. El siguiente cuadro enumera las bombas trituradoras disponibles. El número del modelo se puede encontrar en la placa que viene sobre la tapa de los sistemas serie Pro. Los sistemas Pro 380 pedidos con la opción de alarma tienen el sufijo "/A" que indica el tipo de alarma. "/A2" ...ALM-2, "/A2W" ...ALM-2W; todos los sistemas Pro 680 vienen con un sistema de control integral con alarma. También se tienen disponibles sistemas con una extensión de 20.32 cm (8 pulg.) para aumentar la altura de la cubeta. Estos modelos están designados con un X8. Ejemplo: P382X8XPRG101.

Modelo del sistema	Bomba Modelo	HP	Voltios	Fase	Carga total Amperios	Desagüe FNPT	Altura práctica mínima con válvula cerrada (sin caudal)	Bajante de 3m (10') Prueba
P382XPRG101	PRG101M	1	115	1	12	5.08 cm (2 pulg.)	13.5 m (45')	Sí
P382XPRG102	PRG102M	1	230	1	6	5.08 cm (2 pulg.)	13.5 m (45')	Sí
P682XPRG101	PRG101M	1	115	1	12	5.08 cm (2 pulg.)	13.5 m (45')	Sí
P682XPRG102	PRG102M	1	230	1	6	5.08 cm (2 pulg.)	13.5 m (45')	Sí

Nota: Todos los sistemas P380-Simplex y P680-Duplex se envían de manera estándar con 16 pernos en la cubierta y pasan la prueba de bajante de 3 m (10 pies).

Los flotadores de alarma y de la bomba del sistema QuickTree® vienen de fábrica en los niveles de operación correctos. No ajuste los flotadores.

¿Hizo medir su sistema por un profesional? En las aplicaciones de saneamiento se requiere un caudal de fluido mínimo. Comuníquese con la fábrica para que le den el tamaño adecuado de bomba para su caso antes de la instalación.

Tecnología QuickTree®: Los sistemas ProVore® P380 y P680 de Liberty Pumps cuentan con la tecnología de flotadores QuickTree®. El sistema QuickTree® está ubicado debajo de una tapa de acceso aparte para facilitar su mantenimiento y servicio. Los flotadores de activación de la bomba y de la alarma (si vienen instalados) se deben montar en una barra vertical de acero inoxidable aparte de la bomba. No es necesario que desconecte la tubería ni que quite la bomba cuando vaya a inspeccionar o a reemplazar los flotadores. Los flotadores QuickTree® vienen configurados de la fábrica con los parámetros de operación óptimos y no deben ser modificados.

2. La cubeta

Los sistemas Provore® P380 y P680 vienen con una tapa desechable transparente que sirve para proteger el sistema durante la preparación del terreno y los trabajos de albañilería. La tapa de protección debe dejarse puesta hasta terminar los trabajos de fontanería; sin embargo, si es necesario, puede quitarse y reemplazarse. La tapa se sujeta de los puertos roscados de la tapa. Para quitar la tapa, tire de ella para que se suelte de los puertos roscados.

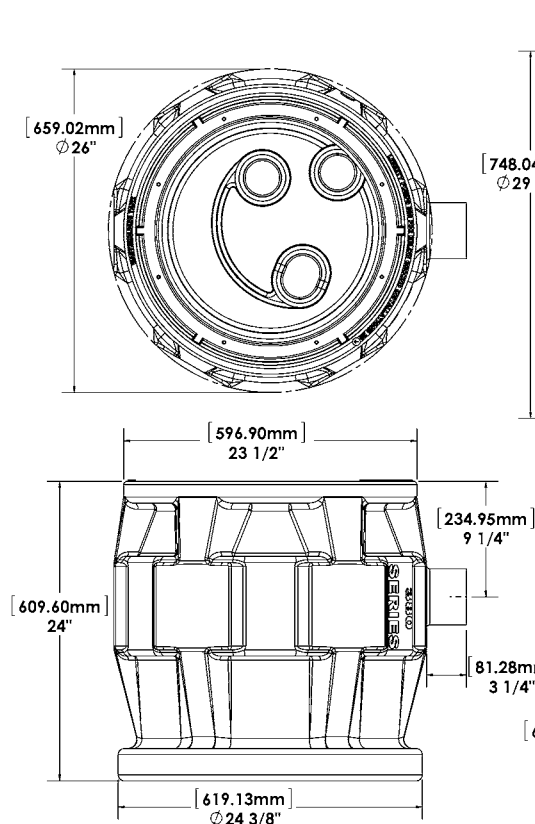
Instalación en tierra de las cubetas de la serie profesional

- A. **Excavación:** excave un hoyo tan pequeño como sea posible, dejando un espacio libre de alrededor de 20.32 cm (8 pulg.) como mínimo alrededor del tanque. No coloque la cubeta en contacto directo con rocas ni objetos cortantes. Instale gravilla fina de 0.31-1.90 cm (1/8-3/4 pulg.) o piedra pulverizada fina y lavada de 0.31-1.27 cm (1/8-1/2 pulg.) entre la cubeta y las paredes del hoyo. No utilice arena ni tierra del suelo como relleno. Compacte la superficie sobre la que se asentará la cubeta para que quede sólida y nivelada y pueda soportar el peso de la misma. Se recomienda que el borde superior de la cubeta esté nivelado con respecto al piso.
- B. **Relleno inicial:** instale gravilla fina de 0.33-1.90 cm (1/8-3/4 pulg.) o piedra pulverizada fina y lavada de 0.33-1.27 cm (1/8-1/2 pulg.) alrededor del fondo de la cubeta para sujetarla en su sitio. No utilice arena ni tierra del suelo como relleno. Instale las tuberías de admisión que necesite su modelo de cubeta.
- C. **Conexión de admisión:** las cubetas de la serie Liberty P370 y P380 tienen una conexión de admisión de 10.16 cm (4 pulg.) moldeada sobre el costado del tanque. Está hecha para conectar un manguito (no para bocas de admisión) de 10.16 cm (4 pulg.). Conecte la línea de drenaje por gravedad de los accesorios a esta boca.
- D. **Relleno final:** el relleno no debe contener rocas, terrones y otros objetos foráneos. Sólo se recomienda usar gravilla fina de 0.31-1.90 cm (1/4-3/4 pulg.) o piedra pulverizada fina y lavada de 0.31-1.27 (1/8-1/2 pulg.). No utilice arena ni tierra del suelo como relleno. Forme un ligero montículo con el relleno y deje que se asiente naturalmente. Deberá dejarse acceso a la tapa para tareas de mantenimiento y servicio.

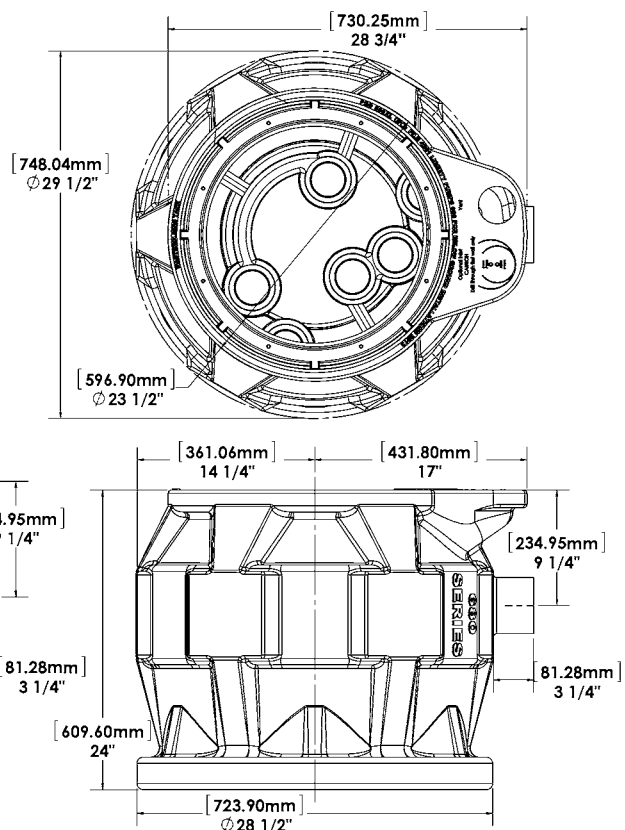
PRECAUCIÓN

No ejerza una presión excesiva ni trabaje con equipo pesado encima del material de relleno, ya que esto podría hacer colapsar el tanque.

Datos dimensionales: Modelos PRO380 Simplex



Datos dimensionales: Modelos PRO680 Duplex

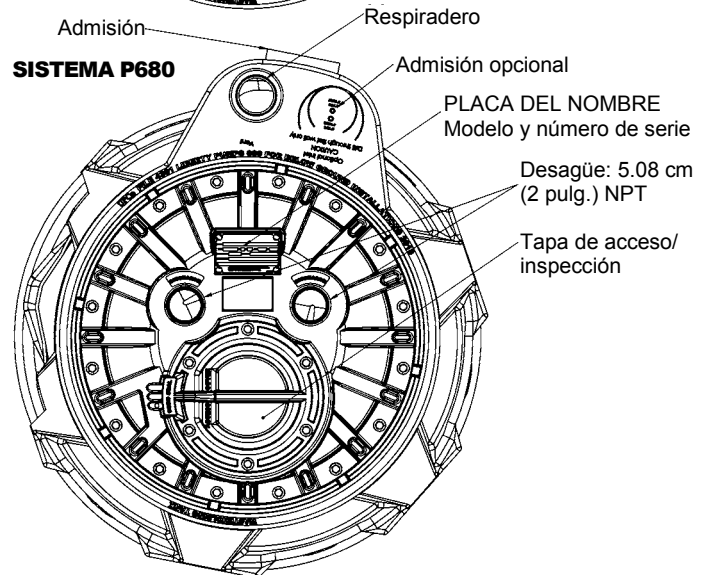
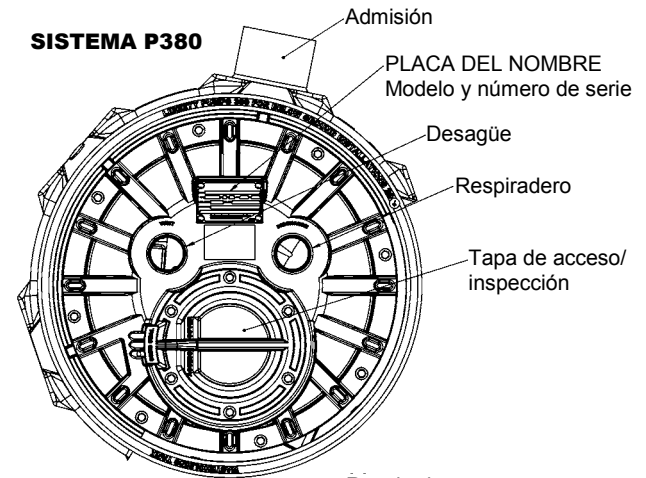


3. Instalación y conexiones

- A. **Desagüe:** Conecte mediante un adaptador el tubo de desagüe al puerto roscado de 5.08 cm (2 pulg.) que viene en la tapa. **IMPORTANTE:** NOTA: Este sistema ProVore® cuenta con una salida de desagüe de 5.08 cm (2 pulg.). **No aumente el tamaño del tubo más allá de 5.08 cm (2 pulg.), pues no se podría obtener el caudal adecuado para funcionar adecuadamente.** Los tamaños del desagüe se pueden reducir a 2.54 - 1.27 cm (1-1/2 pulg.) o 2.54 - 0.63 cm (1-1/4 pulg.) Comuníquese con Liberty Pumps si tiene alguna pregunta sobre el tamaño de la tubería y el caudal.

Instale el resto de la línea de desagüe. La junta se deberá ubicar encima de la tapa para facilitar el desmontaje de la bomba si fuera necesario. Se recomienda instalar una válvula de retención después de la junta para evitar contraflujos después de un ciclo de bombeo. A continuación de la válvula de retención se deberá instalar una válvula de compuerta para poder limpiar periódicamente la de retención y desmontar la bomba. El resto de la línea de desagüe deberá ser tan corto como sea posible con el mínimo número de giros para evitar la pérdida de carga por rozamiento. Comuníquese con Liberty Pumps o con una persona calificada si tiene alguna pregunta sobre el tamaño de la tubería y el caudal.

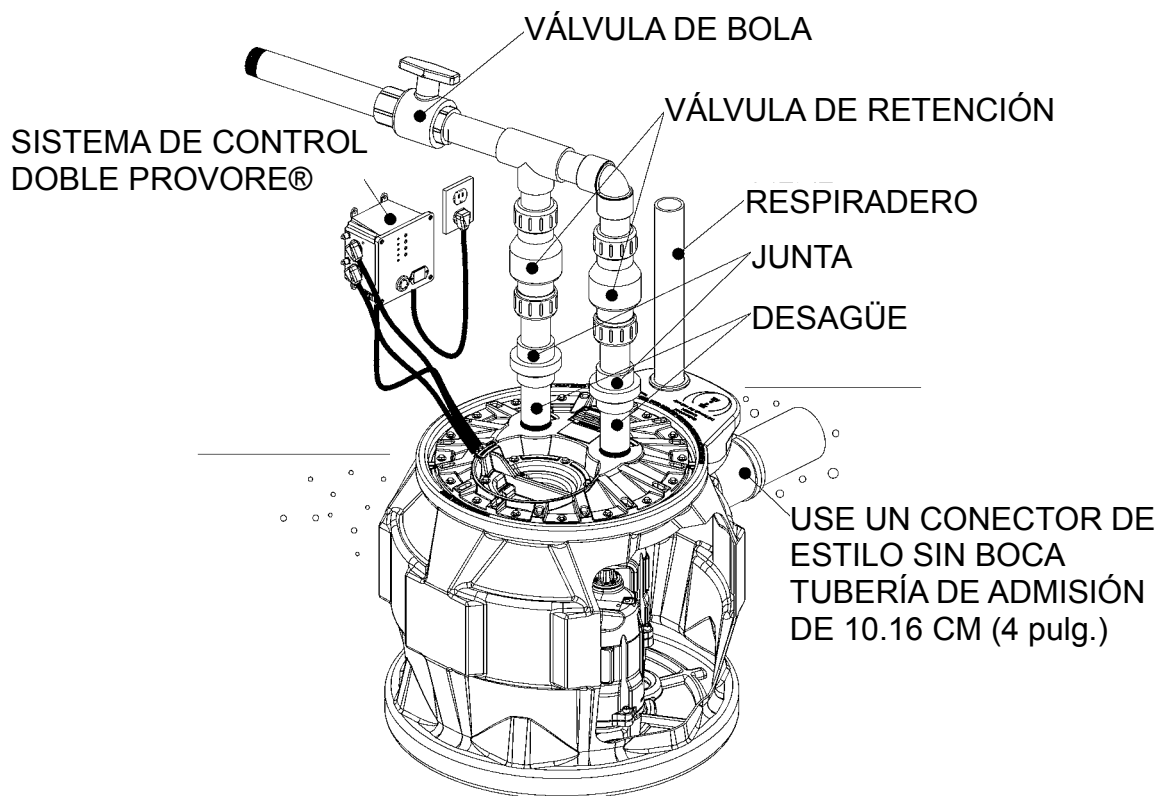
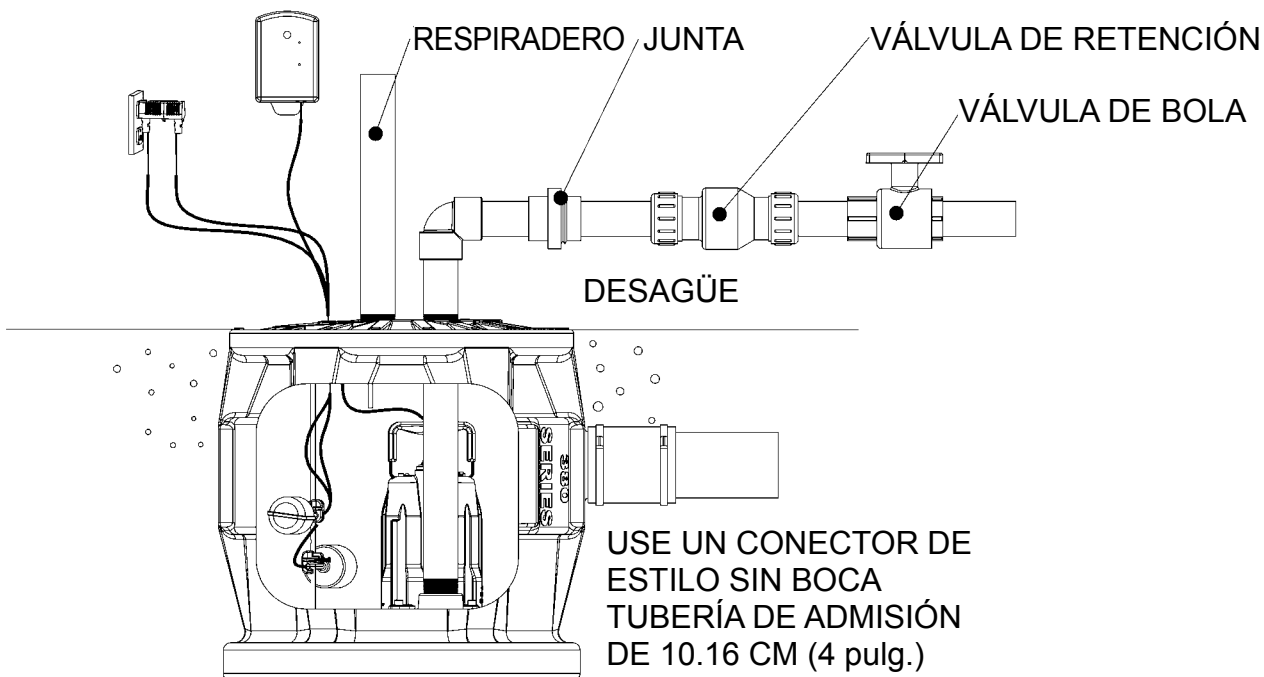
- B. **Respiradero:** Se incluye una conexión roscada de 5.08 o 7.62 cm (2 o 3 pulg.) en la parte superior de la tapa del SISTEMA P380 o un Uni-Seal de tipo deslizante en un SISTEMA P680; el respiradero debe conectarse al respiradero existente del edificio, o prolongarse hacia el exterior en su propio tubo base. El tamaño de la tubería de ventilación deberá cumplir los códigos locales, pero nunca podrá ser inferior al tamaño del desagüe.



Instalación típica

Esta es solo la instalación recomendada. Pueden presentarse variaciones.

ALARMA (OPCIONAL)



4. QuickTree® y tapa de acceso

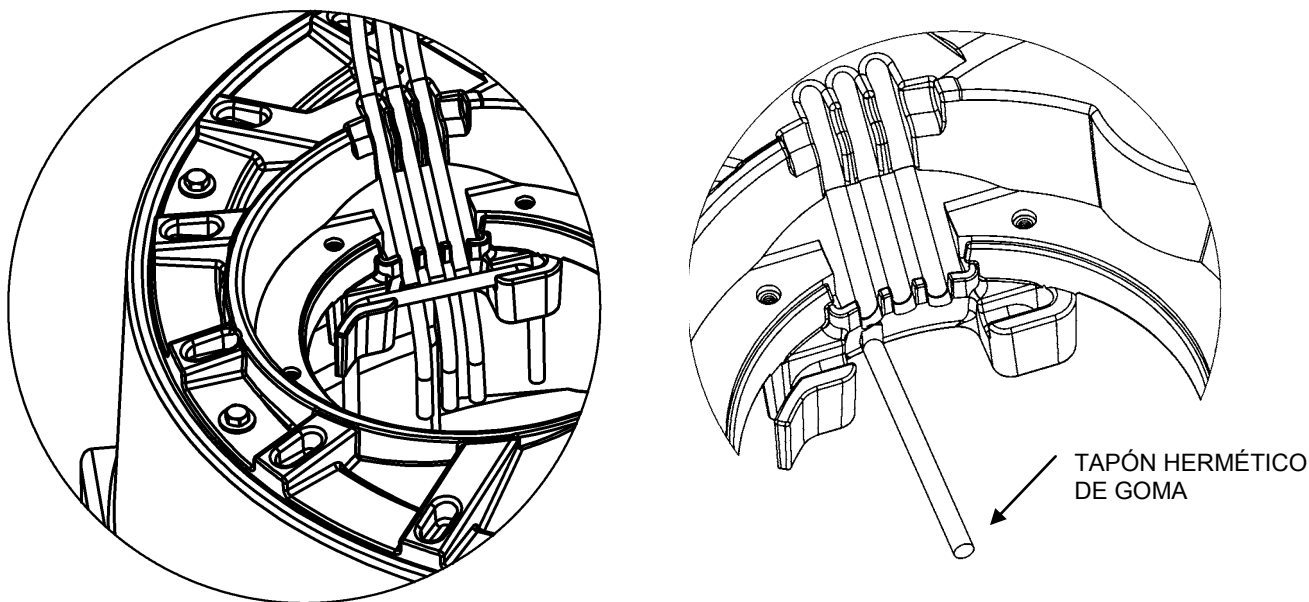
Los sistemas ProVore® P380 y P680 vienen con tecnología QuickTree®. El sistema QuickTree® usa una barra de montaje de acero inoxidable y abrazaderas especialmente diseñadas para amarrar el flotador de la bomba y el de alarma (opcional) al sistema. **Todos los flotadores vienen configurados de la fábrica con los parámetros de operación óptimos y no deben ser modificados. NOTA: el ajuste en campo de los flotadores podría provocar la activación o desactivación inesperada de la bomba y alarma opcional.**

Inspección de los flotadores y desmontaje de QuickTree®: el sistema QuickTree® está colocado debajo de una tapa de acceso aparte para facilitar la inspección, servicio y reemplazo de los flotadores. Para inspeccionar los flotadores, desatornille la tapa de acceso y saque el sistema QuickTree®. No es necesario que desconecte la tubería ni que quite la bomba. Los sistemas de la serie Pro vienen con una bomba trituradora manual (sin un interruptor directamente conectado a la bomba). El sistema QuickTree® se encarga de operar la bomba.

Reinserción del sistema QuickTree®: después de prestar servicio o inspeccionar los flotadores vuelva a poner el sistema QuickTree® en su sitio. Los cables de la bomba, los cables del interruptor de flotadores y los cables de la alarma opcional deben obturarse como se describe a continuación en el Sistema de obturación de cables integrado.

Sistema de obturación de cables integrado: es importante que los cables provenientes del motor de la bomba, del interruptor de los flotadores y de la alarma opcional estén protegidos en los canales obturadores de goma especialmente diseñados debajo de la tapa de acceso. Se debe contar con una buena obturación para que no haya fugas de gases de alcantarilla en el sistema. Coloque los cables firmemente en los canales de goma como se muestra en la FIGURA B. asegurándose de eliminar la "holgura" excesiva de los cables del interior del sistema. **IMPORTANTE:** los sistemas cuentan con tres canales para cables. En los sistemas sin la opción de alarma solo se usarán dos de los canales, el tercero se deberá tapar con un tapón hermético de goma incluido. **VEA LA FIGURA C.** Si se tiene el cable de alarma, se usarán los tres canales. Todas las juntas obturadoras de goma de la tapa son permanentes y no necesitan ser reemplazadas.

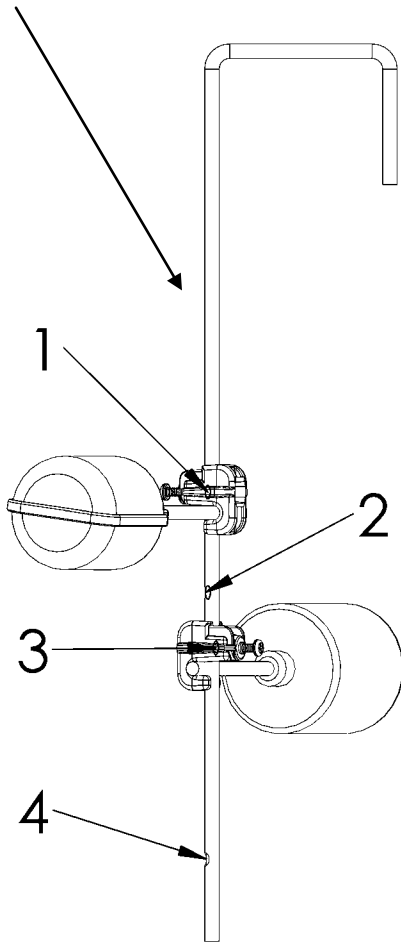
IMPORTANTE: la obturación de los cables detrás de la barra del sistema QuickTree® debe ser correcta



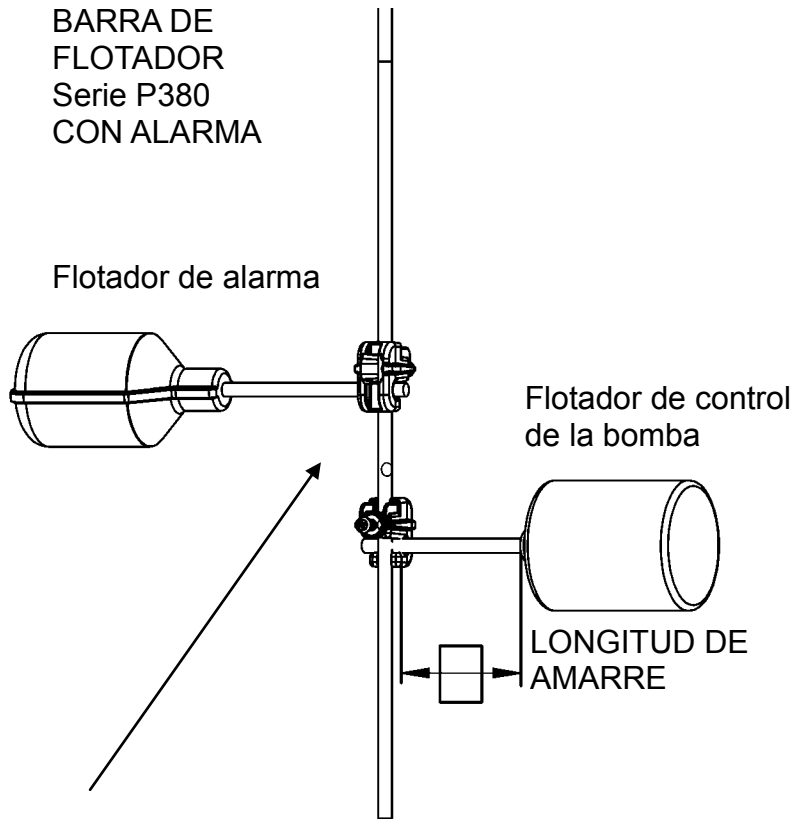
Ajustes QuickTree® para los sistemas ProVore®:

POSICIÓN DE LA VARILLA	LONGITUD DE AMARRE (INTERRUPTOR A ABRAZADERA)	
	P380 Y P680	
	Flotador de alarma	Flotador de control
1	5.08 cm (3.5 pulg.)	
2		
3		5.08 cm (3.0 pulg.)
4		

Los puntos 1, 2, 3 y 4 de los flotadores están estampados en la barra de acero inoxidable. 1 es el nivel más alto y 4 el más bajo.



BARRA DE FLOTADOR Serie P380 CON ALARMA



Los flotadores de control y de alarma tienen longitudes de amarre diferentes. Consulte la tabla anterior para ver la longitud de amarre adecuada y la correcta posición de la barra.

Cuando le haga mantenimiento al sistema QuickTree® meta el cable del interruptor por el canal y pase la barra de acero inoxidable por la brida; apriete el tornillo con un destornillador de estrella pero no lo apriete demasiado. La barra viene marcada con los puntos de ubicación de los flotadores; el tornillo debe estar apretado sobre la marca estampada. La longitud del amarre será igual a la extensión de cable requerida entre el flotador y la abrazadera.

5. Servicio eléctrico y operación

⚠ ADVERTENCIA

- **Riesgo de descarga eléctrica.** Desconecte la bomba de la fuente de alimentación siempre que vaya a manipularla o a realizar algún ajuste.
- Solo personal cualificado deberá encargarse de instalar las conexiones y cables eléctricos necesarios para montar la bomba.
- Esta unidad lleva un conector a tierra y un enchufe tomacorriente con conexión a tierra. Para reducir el riesgo de descargas eléctricas, el conector de puesta a tierra tiene que estar conectado a un panel de control a tierra o si lleva un enchufe a tierra tendrá que enchufarse a un tomacorriente conectado a tierra.
- No derive los cables de puesta a tierra ni retire las espigas a tierra de los enchufes.
- No quite el cable ni la protección contra tirones, y no conecte canal para cables a la bomba.
- No use extensiones eléctricas.
- Con esta bomba, hay que utilizar un circuito derivado independiente conectado a tierra y con fusibles. La fuente de alimentación tendrá que tener suficiente capacidad para cumplir los requisitos de voltaje y amperaje del motor, indicados en la placa de la bomba.
- El tomacorriente o panel deberá encontrarse al alcance del cable de alimentación de la bomba y a 1.22 metros (4 pies) como mínimo por encima del piso para evitar problemas en caso de inundación.
- Se deberá instalar la unidad según las disposiciones del Código Eléctrico Nacional de Estados Unidos y todos los códigos y reglamentos locales que correspondan.

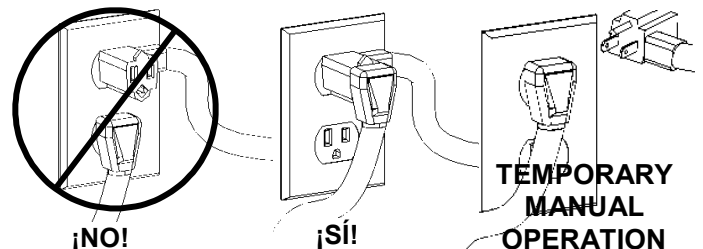
Todos los modelos P380 vienen equipados con un interruptor de flotador montado en el ensamblaje QuickTree®. Estos modelos vienen con dos cables: uno al interruptor de flotador y el otro al motor. El cable del interruptor lleva un enchufe en serie, o cascada, en el que se puede enchufar el cable de la bomba (motor) (vea la Figura 4) Esto permite la operación manual de la bomba. Tome en cuenta que la operación de encendido/apagado de la bomba se debe controlar con el disyuntor.

Si se quiere activar la operación automática se deberán interconectar los dos cables y enchufarse a un tomacorrientes con toma a tierra y fusibleado independiente y con el amperaje apropiado para su modelo. (Para conocer las especificaciones eléctricas de su modelo, consulte la Sección 1, información general, o la placa de identificación de la bomba.) Ambos cables cuentan con enchufes de 3 patas y se deben enchufar en un tomacorriente trifilar con toma a tierra. NO DESMONTE LAS PATAS A TIERRA.

Si falla el interruptor, el cable de la bomba se puede separar y enchufar en un tomacorriente, evitando de esta manera el interruptor. Las bombas monofásicas de 115 y 230 V se deben operar solamente sin el flotador por medio de un disyuntor o panel de desconexión. No deje que la bomba funcione en seco.

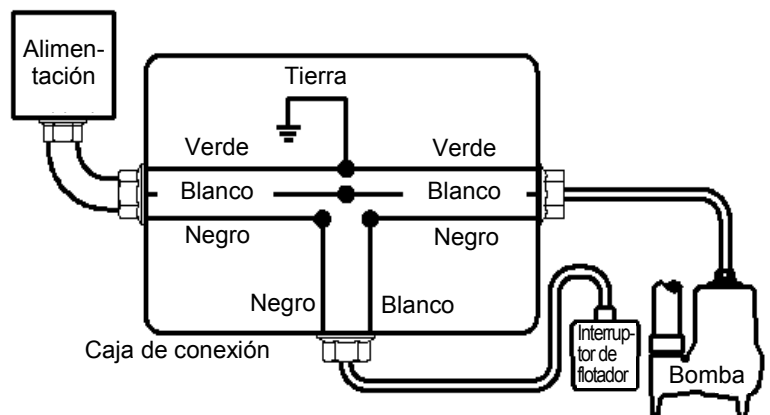
Si la bomba va a estar cableada directamente a un dispositivo de control o caja de conexión y es necesario retirar los enchufes, la labor la deberá llevar a cabo un electricista certificado según el código eléctrico nacional de Estados Unidos y los códigos locales.

Figura 4 Instalación del enchufe en cascada



⚠ ADVERTENCIA

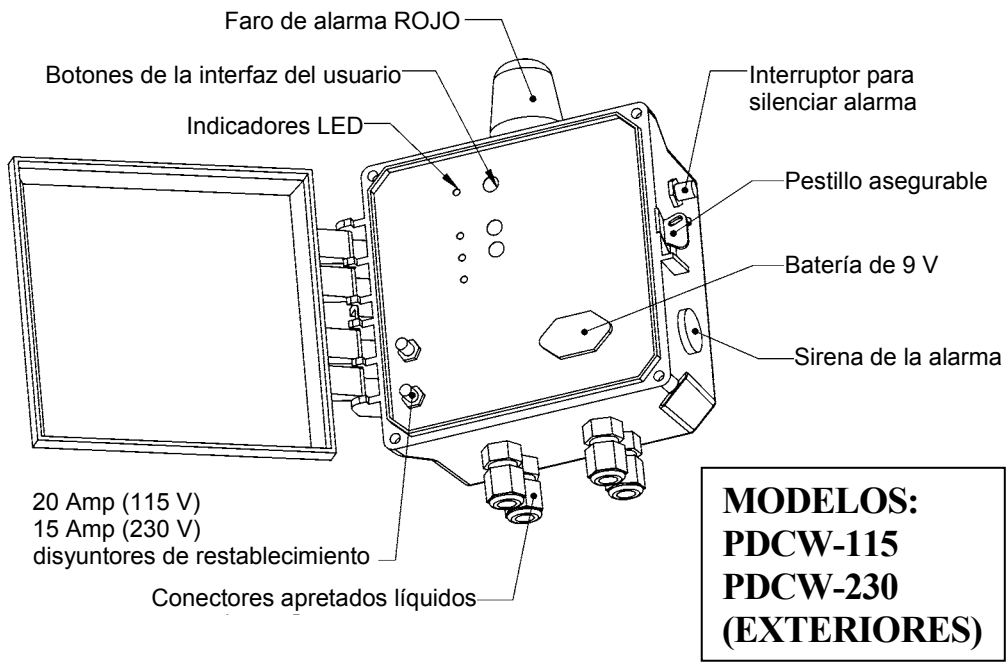
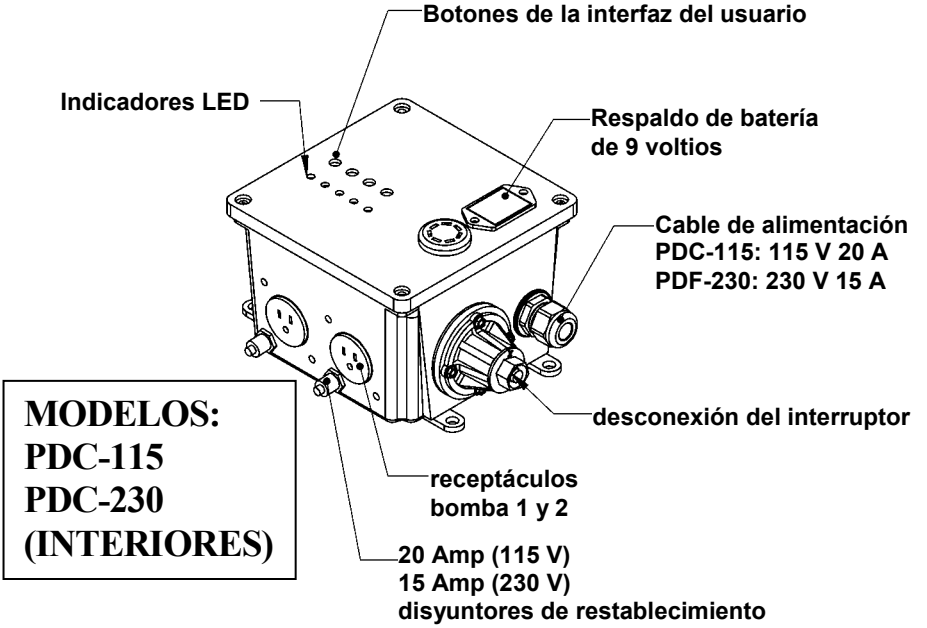
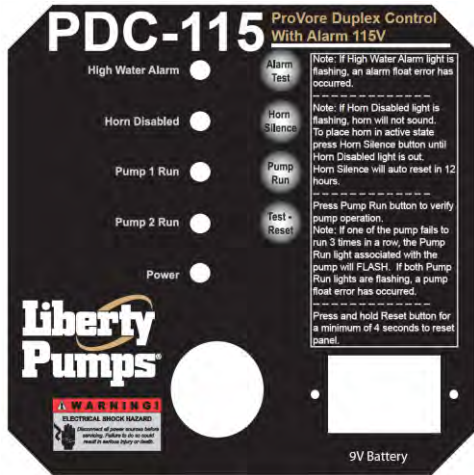
En instalaciones de 230 V, uno de los extremos de la línea que va a la bomba está siempre activo mientras que el flotador se encenderá y se apagará. Instale un desconectador bipolar cerca de la bomba para no correr riesgos.



Cableado directo de los sistemas P380 de bomba automática monofásica de 115 V o 230 V

Los sistemas P680 Duplex están conectados a un controlador que monitorea la operación de las bombas. El controlador alternará automáticamente las dos bombas en cada ciclo para mantener un desgaste equitativo. De ser necesario, también vigilará las condiciones de alto nivel de agua y las alarmas. El controlador tiene indicadores visuales que muestran la operación del drenaje y los controles del operador, para probar la funcionalidad. También identificará a un componente que no funcione. Para ver la operación completa, consulte el manual del usuario del controlador.

Liberty ofrece la versión tanto interior como exterior del controlador. Tome en cuenta que debe quitar los extremos del cable para poder cablear la versión exterior.



6. Mantenimiento y diagnóstico de problemas

⚠ ADVERTENCIA

Riesgo de descarga eléctrica. Desconecte la bomba de la fuente de alimentación siempre que vaya a manipularla o a realizar algún ajuste.

Problema	Causa	Solución
La bomba no funciona.	<ul style="list-style-type: none"> Se ha fundido un fusible o el flujo eléctrico se ha interrumpido de algún otro modo; voltaje incorrecto. 	<ul style="list-style-type: none"> Compruebe que la unidad esté bien conectada. Pida a un electricista que compruebe las conexiones adecuadas del cableado, y la capacidad y el voltaje adecuados.
	<ul style="list-style-type: none"> El interruptor no puede cambiar a la posición de encendido debido a una interferencia con el lateral del tanque u otra obstrucción. 	<ul style="list-style-type: none"> Coloque la bomba o el interruptor de forma que cuente con suficiente espacio para funcionar libremente.
	<ul style="list-style-type: none"> Líquido insuficiente. 	<ul style="list-style-type: none"> El líquido debe subir lo suficiente como para activar el interruptor.
	<ul style="list-style-type: none"> Interruptor defectuoso. 	<ul style="list-style-type: none"> Reemplace el interruptor.
La bomba no se apaga.	<ul style="list-style-type: none"> El interruptor no puede cambiar a la posición de apagado debido a una interferencia con el lateral del tanque u otra obstrucción. 	<ul style="list-style-type: none"> Coloque la bomba o el interruptor de forma que cuente con suficiente espacio para funcionar libremente.
	<ul style="list-style-type: none"> Interruptor defectuoso. 	<ul style="list-style-type: none"> Reemplace el interruptor.
La bomba funciona o zumba pero no bombea.	<ul style="list-style-type: none"> El desagüe está atascado. 	<ul style="list-style-type: none"> Compruebe que no haya atascos en la línea de desagüe, como puede ser hielo si la línea pasa por áreas frías.
	<ul style="list-style-type: none"> Compruebe que la válvula no se haya quedado cerrada o esté instalada al revés. 	<ul style="list-style-type: none"> Saque la válvula de retención y asegúrese de que funciona sin impedimentos y que haya sido instalada correctamente.
	<ul style="list-style-type: none"> La válvula de compuerta o la de bola está cerrada. 	<ul style="list-style-type: none"> Abra la válvula de compuerta o la de bola.
	<ul style="list-style-type: none"> La elevación total es superior a la capacidad de la bomba. 	<ul style="list-style-type: none"> Dirija las tuberías a una altura inferior. Si esto no es posible, necesitará adquirir otra bomba de mayor capacidad. Consulte a la fábrica.
	<ul style="list-style-type: none"> El rotor de la bomba está atascado o la cubierta de voluta está taponada. 	<ul style="list-style-type: none"> *Quite la bomba de la cubeta, quite el cortador y la placa del cortador, limpie la zona alrededor del impulsor, vuelva a armar y vuelva a instalar. El tornillo central utiliza una llave hexagonal de 6 mm. El tornillo se puede calentar para quitar el compuesto de bloqueo de roscas.
La bomba se activa periódicamente cuando la maquinaria no está en uso.	<ul style="list-style-type: none"> No hay instalada una válvula de retención, se queda abierta o tiene una fuga. 	<ul style="list-style-type: none"> Saque la válvula de retención y asegúrese de que funciona sin impedimentos y que haya sido instalada correctamente.
	<ul style="list-style-type: none"> Las piezas gotean. 	<ul style="list-style-type: none"> Repare las piezas para eliminar las fugas.
La bomba hace demasiado ruido.	<ul style="list-style-type: none"> Material foráneo en la cavidad del rotor. 	<ul style="list-style-type: none"> * Quite la bomba de la cubeta, quite el cortador y la placa del cortador, limpie la zona alrededor del impulsor, vuelva a armar y vuelva a instalar. El tornillo central utiliza una llave hexagonal de 6 mm. El tornillo se puede calentar para quitar el compuesto de bloqueo de roscas.
	<ul style="list-style-type: none"> Rotor roto. 	<ul style="list-style-type: none"> La fábrica le puede informar sobre cómo reemplazar el rotor.
	<ul style="list-style-type: none"> Cojinetes desgastados. 	<ul style="list-style-type: none"> Envíe la bomba a reparar a la fábrica o a un centro de reparación autorizado.
	<ul style="list-style-type: none"> Las conexiones de las tuberías al edificio son demasiado rígidas. 	<ul style="list-style-type: none"> Cambie una parte de la línea de desagüe con una manguera o conector de caucho.

***NOTA:** Liberty Pumps, Inc. no asume ninguna responsabilidad por desperfectos o lesiones resultantes del desmontaje de la bomba en el campo. Si el desmontaje de la bomba no lo lleva a cabo Liberty Pumps o uno de sus centros de servicio autorizados, la garantía quedará anulada.

Instrucciones complementarias para la instalación

Cubetas de prueba de bajante de 3 m (10 pies) Series Pro 380XL y 680XL

Las cubetas para eyectores de aguas residuales Serie XL están diseñadas para resistir la prueba de bajante de 3 m (10 pies) que requieren algunos municipios. La instalación adecuada del collarín de la tapa especificada es vital para asegurar que se cumpla con la prueba. Se requiere seguir estrictamente estas instrucciones. Bajo ninguna circunstancia debe instalarse la tapa sin seguir estas instrucciones al pie de la letra.

Tipos de sistemas:

Las cubetas de la Serie XL están disponibles como sistemas totalmente armados, completos con bomba y tubería de desagüe, como juegos para armar la cubeta y la tapa sin bomba o plomería, y únicamente como cubetas. Siga las instrucciones a continuación tal como corresponda con el tipo de sistema que tenga.

Instalación de la cubeta:

1. Para todos los sistemas consulte las instrucciones principales tal como se incluyen con este sistema eyector o cubeta para excavar el sumidero, conectar la tubería y rellenar.
2. Si la parte superior de la cubeta se encuentra por debajo del nivel rasante, se requiere un tubo ascendente de acceso modelo ARC18. La profundidad máxima para enterrar es de 45.72 cm (18 pulg.) con respecto a la parte superior de la cubeta. Si desea más información sobre los tubos ascendentes de acceso Serie ARC, consulte a Liberty Pumps o a su distribuidor. 1-800-543-2550.

Instalación de la bomba en la cubeta Serie XL o la cubeta XL y juego para armar la tapa:

1. Las cubetas Serie XL de Liberty Pumps que se compren por separado requieren el juego adecuado de la tapa Serie Pro de 16 pernos, para crear un sistema eyector adecuadamente sellado. Para más datos sobre la tapa adecuada para su aplicación, comuníquese con la fábrica.
2. Mida la longitud de la tubería de desagüe para que llegue desde el desagüe de la bomba y para que quede dentro de la toma del tubo de desagüe con sello de borde integral, por el lado inferior de la tapa Serie Pro. El sistema Provore® de Liberty Pumps utiliza boquillas de entrada de 44.45 cm (17.50 pulg.) de largo para las cubetas de la serie PRO 380XL y 680XL. Instale el tubo en la salida roscada de la bomba.
3. Baje la bomba a la cubeta, acoplando las patas de la bomba en los topes de torsión.
4. Inserte el cable eléctrico de la bomba (y el cable del interruptor en cascada, si cuenta con él) a través de la parte inferior del orificio de la tapa de inspección, y coloque la tapa sobre la entrada del tubo mientras alinea los orificios de los pernos. Utilice dieciséis pernos de ¼ - 20 UNC y arandelas para asegurar la tapa a la cubeta. Apriete los pernos a 40 pulgadas-libra. **ADVERTENCIA:** No apriete de más los pernos. La junta integrada suave se adecuará a la parte superior del tanque. Los pernos pueden apretarse nuevamente hasta a 60 pulgadas-libra para sellar cualquier fuga que pueda producirse durante una prueba de bajantes de 3 m (10 pies). Además, se puede usar una pequeña cantidad de sellador con silicona RTV en caso de que se dañe la junta o las inserciones.
5. Liberty Pumps recomienda usar bombas manuales y el juego de interruptores Liberty QuickTree® correspondiente para montar el control de la bomba y los flotadores de alarma. Para obtener la información de pedidos, llame a la fábrica. Instale el juego QuickTree® siguiendo las instrucciones incluidas. También puede usar bombas automáticas Liberty Pumps con interruptores de flotador en cascada. Coloque el cable eléctrico y el cable del interruptor en las ranuras de los huecos de la tapa de inspección, como se muestra en las instrucciones principales incluidas con este sistema. Fije la tapa de inspección a la tapa principal usando seis pernos 1/4 - 20 UNC y arandelas. Apriete primero los pernos más alejados de las ranuras del cable eléctrico a 40 pulgadas-libra. **ADVERTENCIA:** No apriete de más los pernos. La junta integrada suave se adecuará a la parte superior de la tapa y los cables eléctricos. Los pernos pueden apretarse nuevamente hasta a 60 pulgadas-libra para sellar cualquier fuga que pueda producirse durante una prueba de bajantes de 3 m (10 pies). Además, se puede usar una pequeña cantidad de sellador con silicona RTV en caso de que se dañe la junta o las inserciones.



Las cubetas Serie PRO 380 XL y 680XL cumplen con IAPMO, # 4361

Garantía limitada por 3 años

***NOTA:** Liberty Pumps, Inc. no asume ninguna responsabilidad por desperfectos o lesiones resultantes del desmontaje de la bomba en el campo. Si el desmontaje de la bomba no lo lleva a cabo Liberty Pumps o uno de sus centros de servicio autorizados, la garantía quedará anulada.

Liberty Pumps, Inc. garantiza que las bombas que fabrica están libres de defectos en los materiales y la mano de obra por un período de 3 años a partir de la fecha de compra. La fecha de compra se determinará con el recibo de compra fechado, que incluya el modelo y el número de serie de la bomba. Este recibo deberá acompañar a la bomba si la fecha de devolución ocurre más de 3 años después de la fecha de fabricación (código-CODE) indicada en la placa de identificación de la unidad.

Las obligaciones del fabricante bajo esta garantía se limitan a la reparación o el reemplazo de las piezas que el fabricante determine defectuosas, siempre que la pieza o el ensamblaje se devuelva al fabricante o a uno de sus centros de servicio autorizados con el porte pagado y que no se evidencie ninguna de las siguientes características, lo que supondría la anulación de la garantía.

El fabricante no tendrá obligación alguna bajo esta garantía si el producto no ha sido instalado correctamente; si ha sido desmontado, modificado, abusado o forzado; si el cable eléctrico se ha cortado, dañado o empalmado; si se redujo el tamaño del desagüe de la bomba; si la bomba se usó con agua más caliente de la temperatura nominal, o agua con arena, cal, cemento, grava u otros elementos abrasivos; si la bomba ha sido utilizada para bombear químicos o hidrocarburos; si un motor no sumergible ha sido sometido a un exceso de humedad; o si se ha retirado la etiqueta con el número de serie y de código. Liberty Pumps, Inc. no se hace responsable de pérdidas, daños o gastos causados por la instalación o uso de sus productos, o por daños consiguientes, incluidos los costos de desmontaje, reinstalación o transporte de la unidad.

No se ofrece ninguna otra garantía expresa. Todas las garantías implícitas, incluidas las de comerciabilidad y adecuación para un propósito determinado, están limitadas a un plazo de tres años a partir de la fecha de compra.

Esta garantía contiene el resarcimiento exclusivo del comprador y, donde sea permitido, se excluye toda responsabilidad por daños secundarios y consiguientes bajo cualquier otra garantía.



7000 Apple Tree Avenue
Bergen, NY 14416
Teléfono: (800) 543-2550
Fax: (585) 494-1839
www.libertypumps.com