

Liberty Pumps®

LowPro41LP

Low Profile Sewage System

For addition of a toilet without breaking concrete floors. Mounts freestanding or can be built-in using 2" x 6" joists for a more professional looking installation. Additional fixtures such as a shower or sink can be easily added using the optional inlet seal (provided).

Features:

- 2" solids-handling sewage pump
 - 4/10 hp 115V
- Durable poly tank with separate access opening to switch
- Fully assembled unit, including pump, piping and switch. Saves valuable installation time.

Fully Assembled System!



(toilet not included)

U.S. Patent No. 6,430,757

innovate. evolve.

LOWPRO41LP

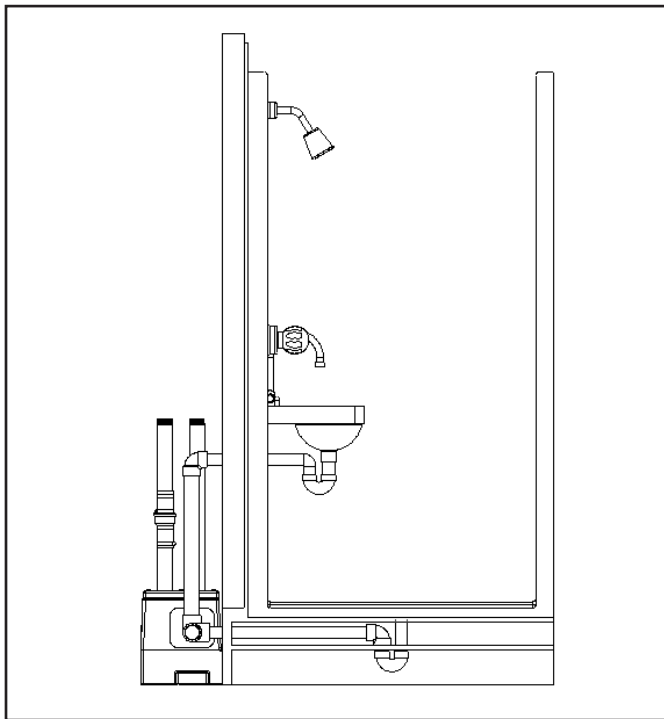
SAMPLE INSTALLATIONS

The LowPro41LP can be installed freestanding or built-in, concealing the pump compartment and piping. The platform section of the tank is sized to fit flush with an elevated floor framed with 2" x 6" material.

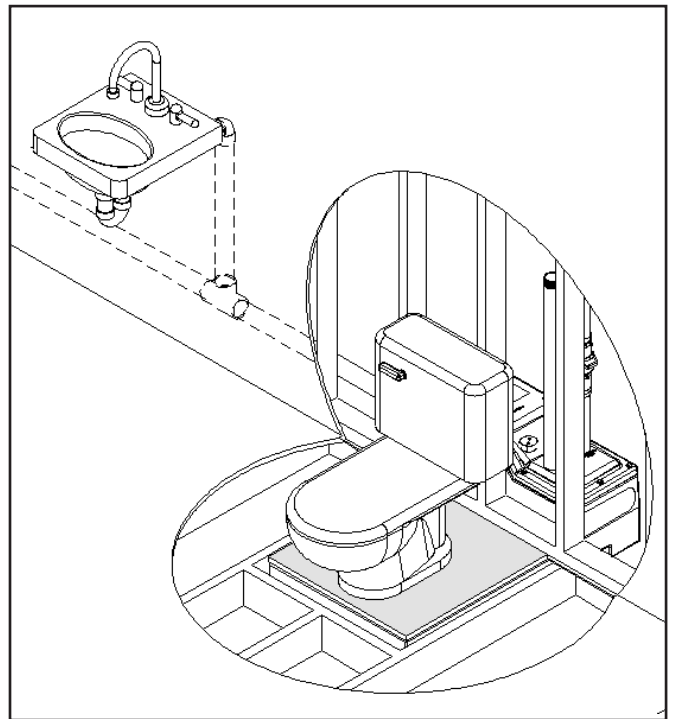
Note: Access to pump compartment is required on built-in installations.

For addition of a lavatory or shower, a rubber pipe seal is included. Seal accepts 2" schedule 40 PVC piping. Showers must be elevated to allow gravity flow to unit.

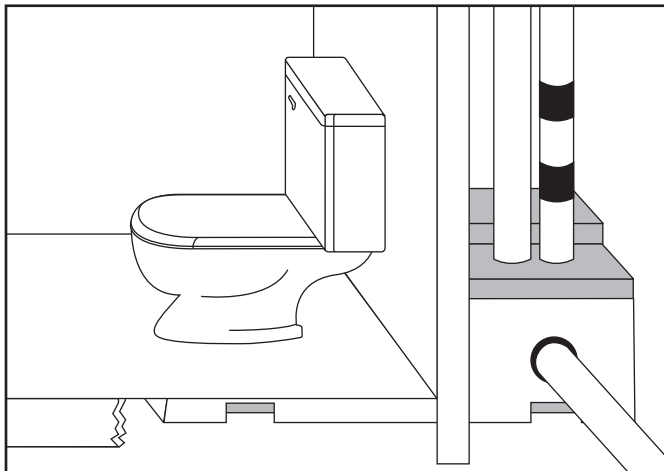
Some possible arrangements using the LowPro41LP:



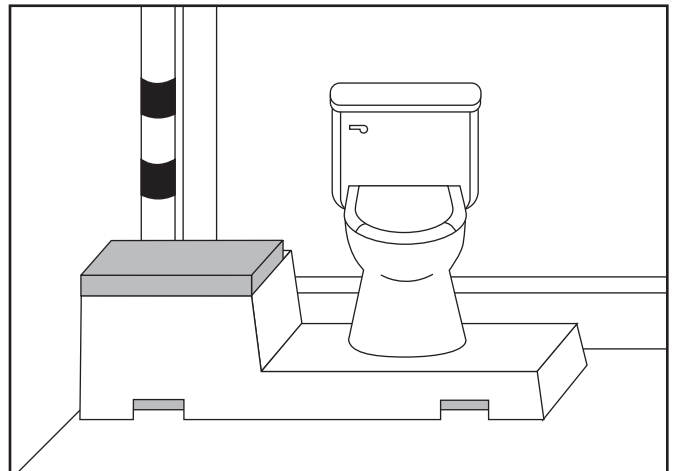
Side view with shower and lavatory.



View with wall and floor framing.

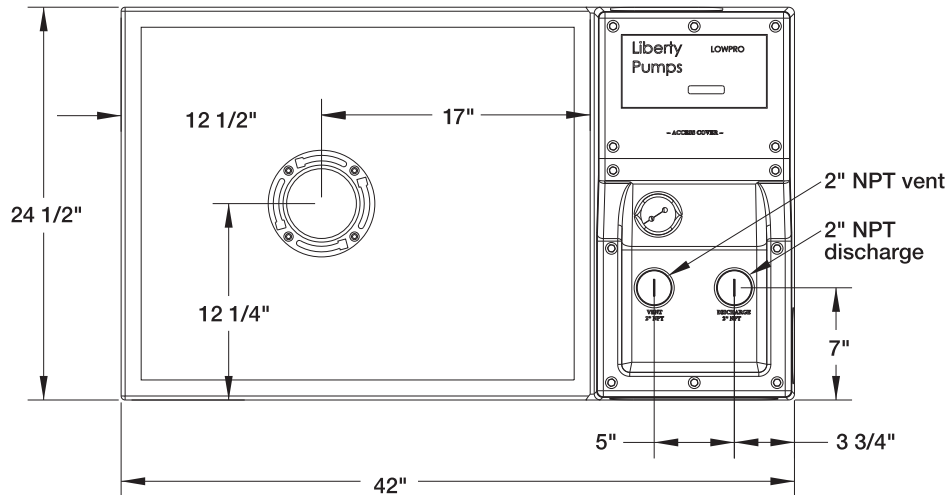


Built-in (hidden)

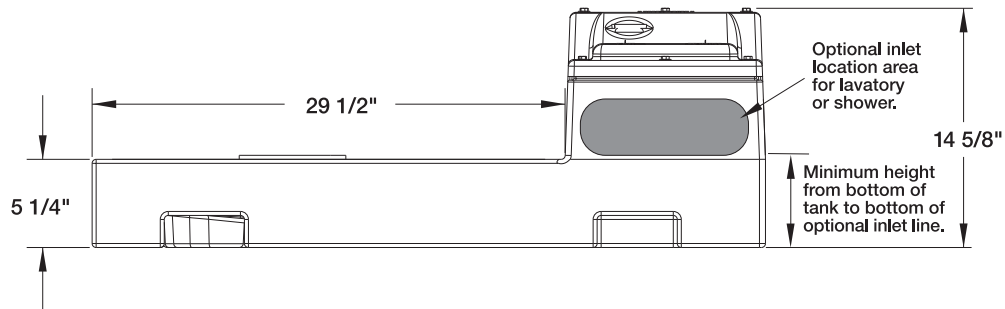


Exposed corner location

top view



side view



FULLY ASSEMBLED SYSTEM FEATURES:

- Durable one-piece poly tank with split cover design – allows access to switch area without disturbing discharge and vent piping.
- 4/10 hp cast iron sewage pump, 2" solids-handling.
- Pre-mounted float switch.
- Schedule 80 PVC discharge pipe (internal).
- 2" check valve.
- Closet flange with extra spacers for optional floor heights. (1/4" and 1/2" provided)
- Pipe grommet seal for additional 2" inlet pipe from a shower or sink.
- Engineered water jet provides a powerful spray within the tank to help break down solids and reduce potential jamming.
- Flow-adjusted pump maximizes pump cycle time and increases pump life.

SPECIFICATIONS:

4/10 hp 115V 12 amps 60Hz 1550 RPM

Maximum fluid temperature: 140°F.

Assembled weight: 91 lbs.

PERFORMANCE CURVE



us Constructed with Certified Pump

WWW.
libertypumps
.COM



Liberty Pumps • 7000 Apple Tree Avenue • Bergen, New York 14416
Phone 800-543-2550 Fax (585) 494-1839

Specifications are subject to change without notice. Copyright © Liberty Pumps, Inc. 2011 All rights reserved. LLIT1800 R10/11