



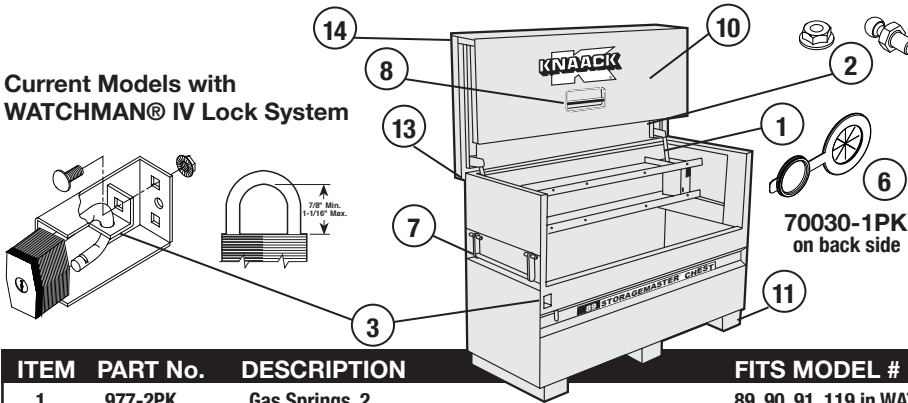
JOBSITE EQUIPMENT

REPLACEMENT PARTS

**STORAGEMASTER® CHESTS
MODELS 69, 79, 89, 90 & 91**

FOR REPLACEMENT PARTS GO TO WWW.KNAACK.COM

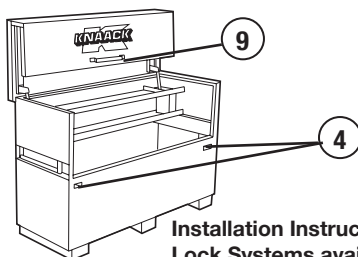
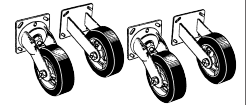
**Current Models with
WATCHMAN® IV Lock System**



**For Customer Service
call toll free:
1-800-456-7865**

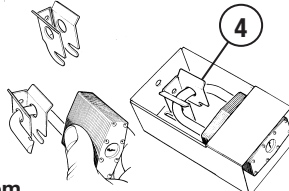
***NOTE, WELDING REQUIRED ON SOME REPLACEMENT PARTS.**
The parts noted require welding by a certified welder and some touchup paint over newly welded areas. Welding Instructions available.
Knaack LLC assumes no legal responsibility for any welding done outside the factory.
All warranties will be voided.

ITEM	PART No.	DESCRIPTION	FITS MODEL #
1	977-2PK	Gas Springs, 2	89, 90, 91, 119 in WATCHMAN® II, III & IV Series
1	952-2PK	Gas Springs, 2	69, 79 in WATCHMAN® II, III & IV Series
2	921-4PK	Ball Studs with nuts, 4	For Gas Springs
3	7286-1PK	WATCHMAN® IV Lock System	Lock tab with bolt for all current models with deadbolt lock system
4	800-1PK	WATCHMAN® III Lock System (see below)	Lock tab with bolt for models made 1989-2000
5	955	WATCHMAN® II Lock System (see below)	Lock tab with bolt for models made 1980-1989
6	70030-1PK	POWER PASS™ Grommet	For WATCHMAN® IV Model Chests starting fall 2007
7	7129	Pipe Handles, 2 *NOTE, WELDING REQUIRED	22-1/2" handle for 69, 79, 89, 90, 91
8	7288	Cover Handle	WATCHMAN® IV STORAGEMASTER® Chests
9	15-0001B	Cover Handle Kit (see below)	For WATCHMAN® III Series
10	7337	Cover *NOTE, WELDING REQUIRED	WATCHMAN® IV Series cover for Model 69
10	7338	Cover ON ALL REPLACEMENT COVERS.	WATCHMAN® IV Series cover for Model 79
10	7339	Cover All covers include hinges.	WATCHMAN® IV Series cover for Model 89
10	7340	Cover	WATCHMAN® IV Series cover for Model 90
10	7345	Cover	WATCHMAN® IV Series cover for Model 91
11	7014	30" Skid *NOTE, WELDING REQUIRED	69, 79, 89, 90, 91
12	495	4" Accessory Casters - set of 4	Load Rating 1600 Lbs., 2" wide wheels
12	505	5" Accessory Casters - set of 4	Load Rating 1240 Lbs., 1-1/4" wide wheels
12	516	6" Accessory Casters - set of 4	Load Rating 2240 Lbs., 2" non-marking wheels
12	600	6" Accessory Casters - set of 4	Load Rating 3280 Lbs., 2" wide wheels
12	695	6" Accessory Casters - set of 4	Load Rating 2600 Lbs., 2" wide wheels
13	70046	Cover Hinge	WATCHMAN® IV with 3-point latch Models 69, 89
13	70047	Cover Hinge *NOTE, WELDING REQUIRED	WATCHMAN® IV with 3-point latch Model 79
13	70048	Cover Hinge	WATCHMAN® IV with 2-point or 3-point latch Models 90, 91
13	7405	Cover Hinge	WATCHMAN® III & IV with 2-point Latch Models 69, 89
13	7404	Cover Hinge	WATCHMAN® III & IV with 2-point Latch Model 79
14	70049	Offset Hinge	WATCHMAN® IV with 3-point latch Models 69, 89
14	70050	Offset Hinge *NOTE, WELDING REQUIRED	WATCHMAN® IV with 3-point latch Model 79
14	70051	Offset Hinge	WATCHMAN® IV with 3-point latch Models 90, 91
14	7406	Offset Hinge	WATCHMAN® III & IV with 2-point Latch Models 69, 89
14	70052	Offset Hinge	WATCHMAN® III & IV with 2-point Latch Models 90, 91
15	953-1CN	Aerosol Paint (not shown)	Genuine KNAACK® Tan trademarked color
16	479	Accessory Shelf Door (not shown)	Fits Model 79
16	489	Accessory Shelf Door (not shown)	Fits Model 89
16	491	Accessory Shelf Door (not shown)	Fits Model 90, 91
17	929-3	Paddle Handle Lock & Striker (not shown)	For Accessory Shelf Doors Models 479 (fits 79), 489 (fits 89), & 491 (fits 90 & 91)
	N/A	Latch Rod	Not available as a Replacement Part



**Installation Instructions for WATCHMAN®
Lock Systems available at www.knaack.com**

**Previous generation models with
WATCHMAN® III Lock System**



**Previous generation models with
WATCHMAN® II Lock System**

