



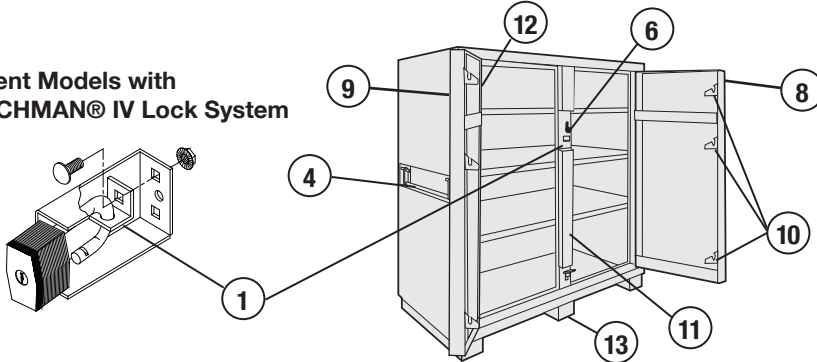
JOBSITE EQUIPMENT

REPLACEMENT PARTS

JOBMASTER® CABINETS
MODELS 99, 100, 109, 111, 112, 129, 139

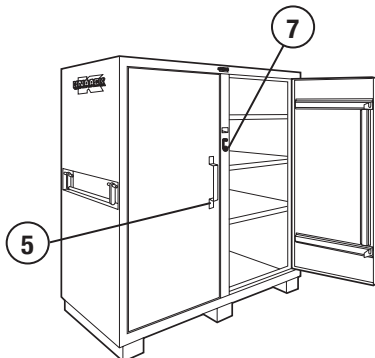
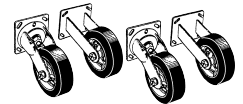
FOR REPLACEMENT PARTS GO TO WWW.KNAACK.COM

Current Models with
WATCHMAN® IV Lock System

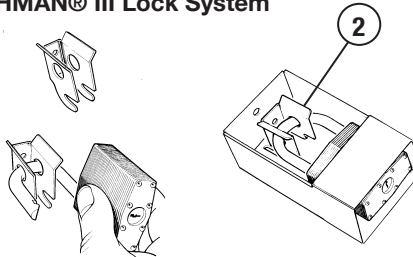


***NOTE, WELDING REQUIRED ON SOME REPLACEMENT PARTS.**
 The parts noted require welding and some touchup paint over newly welded areas. Knaack LLC assumes no legal responsibility for any welding done outside the factory. All warranties will be voided.

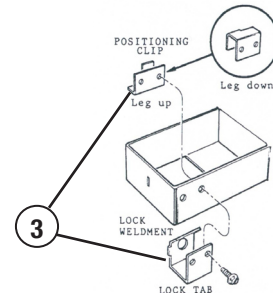
ITEM	PART No.	DESCRIPTION	FITS MODEL #
1	7286-1PK	WATCHMAN® IV Lock System	Lock tab with bolt for all current models with deadbolt lock system
2	800-1PK	WATCHMAN® III Lock System (see below)	Lock tab with bolt for models made 1989-2000
3	955	WATCHMAN® II Lock System (see below)	Lock tab with bolt for models made 1980-1989
4	7128	Pipe Handle, 2 *NOTE, WELDING REQUIRED	17" single handle for 99, 109, 111, 112, 129, 139
5	15-0001B	Door Handle Kit (see below)	For WATCHMAN® III Series
6	11-0114	Ball Lift Handle	WATCHMAN® IV Lock System on 99, 109, 111, 112, 129, 139
7	976	Ball Lift Handle (see below)	WATCHMAN® III Lock System
8	70036	Right Door *NOTE, WELDING REQUIRED	99, 109, 111, 112, 139 includes hinge
9	70037	Left Door	99, 109, 111, 112, 139 includes hinge
8	70038	Right Door	129 includes hinge
9	70039	Left Door	129 includes hinge
10	70040	Door Catch *NOTE, WELDING REQUIRED	99, 109, 111, 112, 139 Rod only and foot pedal only is not available.
10	70041	Door Catch	129 Rod only and foot pedal only is not available.
11	70042	Center Post *NOTE, WELDING REQUIRED	99, 109, 111, 112, 139
11	70043	Center Post	129
12	70044	Hinge *NOTE, WELDING REQUIRED	99, 109, 111, 112, 139
12	70045	Hinge	129
13	7014	30" Skid *NOTE, WELDING REQUIRED	99, 112, 139
13	7013	24" Skid	109, 111, 129
14	495	4" Accessory Casters - set of 4	Load Rating 1600 Lbs., 2" wide wheels
14	505	5" Accessory Casters - set of 4	Load Rating 1240 Lbs., 1-1/4" wide wheels
14	516	6" Accessory Casters - set of 4	Load Rating 2240 Lbs., 2" non-marking wheels
14	600	6" Accessory Casters - set of 4	Load Rating 3280 Lbs., 2" wide wheels
14	695	6" Accessory Casters - set of 4	Load Rating 2600 Lbs., 2" wide wheels
15	953-1CN	Aerosol Paint (not shown)	Genuine KNAACK® Tan trademarked color



Previous Models with
WATCHMAN® III Lock System



Previous generation models with
WATCHMAN® II Lock System



Installation Instructions for WATCHMAN®
Lock Systems available at www.knaack.com