

TE-6001 Series

# Hardware Assemblies for TE-6000 Sensors

### Description

TE-6001 hardware assemblies are used in conjunction with the TE-6000 Series elements in a wide variety of temperature-sensing applications.

### Repair Information

If the TE-6001 Series Hardware Assemblies for TE-6000 Sensors fail to operate within their specifications, replace the unit. For replacement assemblies, contact the nearest Johnson Controls® representative.

### Applications

The TE-6001 assemblies used in conjunction with the TE-6000 sensors cover a wide range of sensing applications including:

- duct
- immersion
- dew point
- outside air
- room

There are also two additional TE-6001 assemblies (TE-6001-961 and TE-6001-962), which are available for auxiliary pushbutton and toggle switch applications.

### Selection Chart

Code Number	Description
TE-6001-1	Duct temperature element holder with handi-box
TE-6001-2	Housing for outside air temperature sensing element
TE-6001-3	Packing nut and fittings for use with WZ-1000 wells in immersion well applications
TE-6001-4	Single/dual element holder for TE-6000 elements in room temperature sensing applications
TE-6001-5	Dew point sensor kit
TE-6001-6	10 adhesive mounting pads for use with T-4100, T-4110
TE-6001-7	10 clips for use with T-4002/4003 and H-4100/5100
TE-6001-8	Mounting bracket for use with TE-6100 and TE-6300 averaging sensors
TE-6001-11	Duct temperature and humidity element holder (without the handi-box)
TE-6001-961	Momentary pushbutton switch
TE-6001-962	Maintained toggle switch

### Accessories (T-4000 Plastic Covers For TE-6001-4)

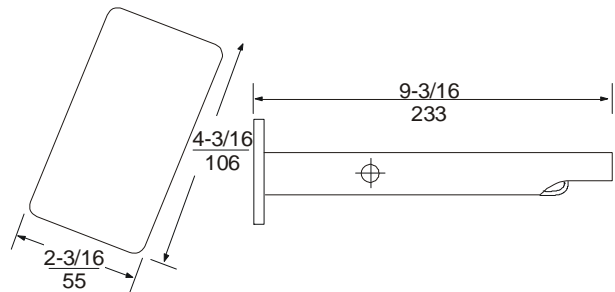
Code Number	Description	
T-4000-2139	Horizontal	Without setpoint window or thermometer, with JCI logo, silver faceplate
T-4000-2140		Without setpoint window, with F/C thermometer and JCI logo, silver faceplate
T-4000-2639		Concealed setpoint, without thermometer, with JCI logo, gold faceplate
T-4000-2640		Concealed setpoint, with thermometer and JCI logo, gold faceplate
T-4000-2138	Horizontal or Vertical	Without setpoint window, thermometer, or JCI logo, with silver faceplate
T-4000-2144	Vertical	Without setpoint window or thermometer, with JCI logo and silver faceplate

### TE-6001-1 Description

The TE-6001-1 duct temperature element holder is used with TE-6000 elements in duct insertion applications. The TE-6001-1 is designed to hold one or two temperature sensors. A handi-box is supplied with the element holder.



TE-6001-1 Duct Temperature Element Holder



TE-6001-1 Duct Temperature Element Holder Dimensions, (in./mm)

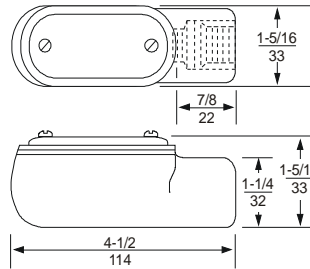
## Hardware Assemblies for TE-6000 Sensors (Continued)

### TE-6001-2 Description

The TE-6001-2 is a metal housing used with the TE-6000 temperature element in applications requiring outside air temperature sensing. A factory-mounted plastic clip is provided to hold the TE-6000 sensor in place.



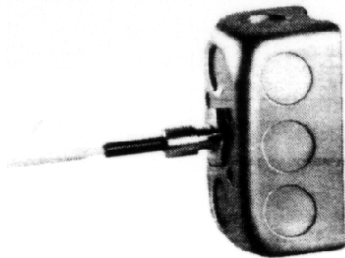
TE-6001-2 Metal Housing



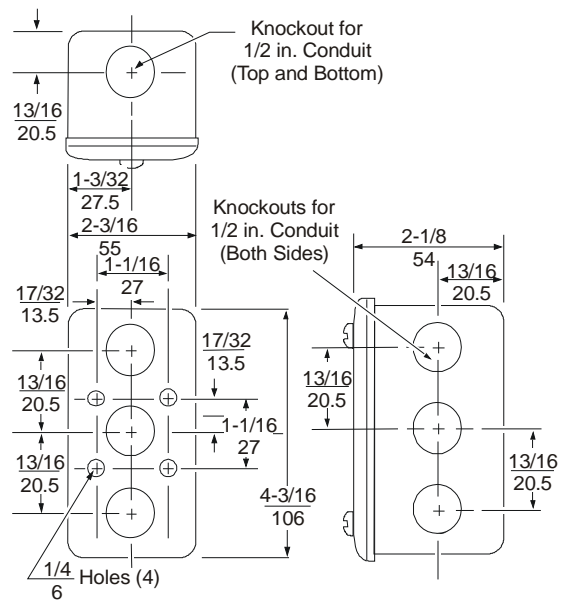
TE-6001-2 Metal Housing Dimensions, (in./mm)

### TE-6001-3 Description

The TE-6001-3 packing nut, fittings, and handi-box are used with WZ-1000-2, -4 and -5 immersion wells to house TE-6000 elements in well insertion applications.



TE-6001-3 Kit



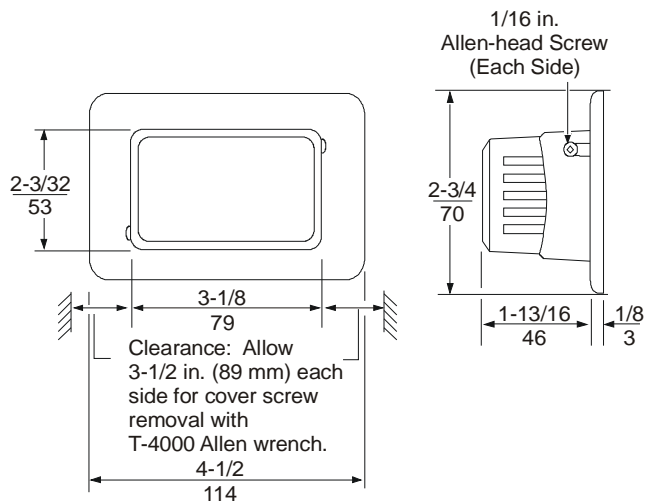
TE-6001-3 Kit Dimensions, (in./mm)

### TE-6001-4 Description

The TE-6001-4 temperature element holder is used with TE-6000 sensors in room-sensing applications. The TE-6001-4 can hold up to two temperature sensors. A mounting bracket and wallplate adapter are supplied. A T-4000 cover is required and must be ordered separately. See the *Accessories* table.



TE-6001-4 Temperature Element Holder

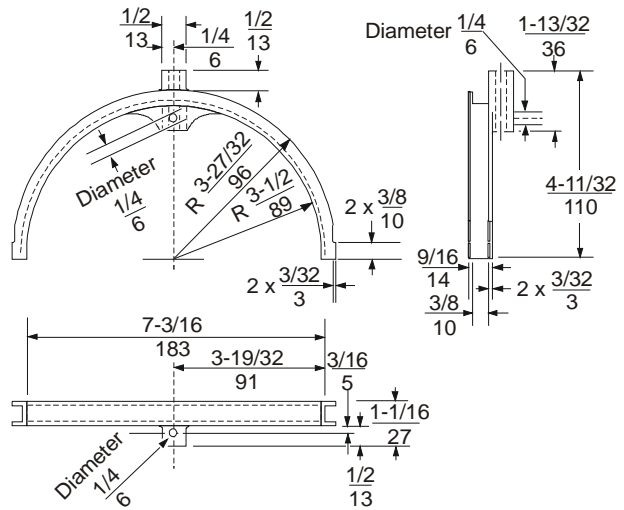


TE-6001-4 Temperature Element Holder Dimensions, (in./mm)

## Hardware Assemblies for TE-6000 Sensors (Continued)

### TE-6001-8 Mounting Bracket Description

The TE-6001-8 Mounting Bracket is used with the TE-6100 and TE-6300 averaging sensors to maintain the minimum bend radius recommended for these sensors. It mounts to duct work with a single sheet metal screw.



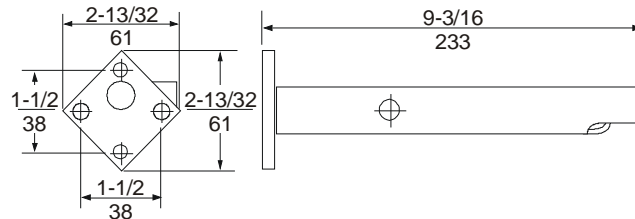
TE-6001-8 Mounting Bracket Dimensions, (in./mm)

### TE-6001-11 Description

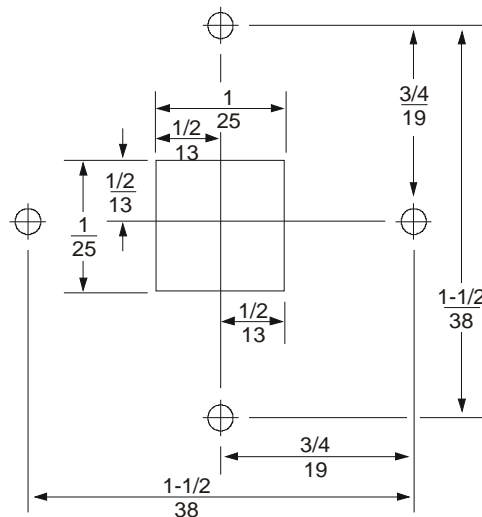
The TE-6001-11 duct temperature holder is used with the TE-6000 sensors. It has a rigid aluminum support that extends into the duct to hold one or two TE-6000 temperature sensing elements.



TE-6001-11 Duct Temperature Holder



TE-6001-11 Duct Temperature Holder Dimensions, (in./mm)



Installing the TE-6001-1 and TE-6001-11 Products