

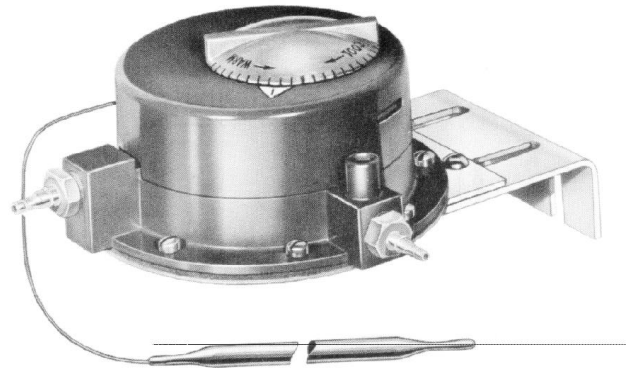
## T-3300 Thermostat

### Dual Temperature, Dual Pressure

The Johnson T-3300 proportional action, pneumatic thermostat is designed to maintain space comfort in accordance with the temperature of air returning to a terminal air conditioning unit.

The thermostat mechanism is protected by a snap-on cover. The external set point adjusting dial marked "Cool-Warm" and a pointer are located on top of the cover. The pointer has tabs that permit restricting the temperature adjustment range to as little as  $\pm 2.5F^{\circ}$  ( $\pm 1.4C^{\circ}$ ). It is factory set for a nominal adjustment of  $\pm 7.5F^{\circ}$  ( $\pm 4C^{\circ}$ ) from a set point of 75F (24C).

Linear expansion and contraction of the liquid in the element permits uniform dial graduations and provides a high degree of accuracy over the entire range of operation.



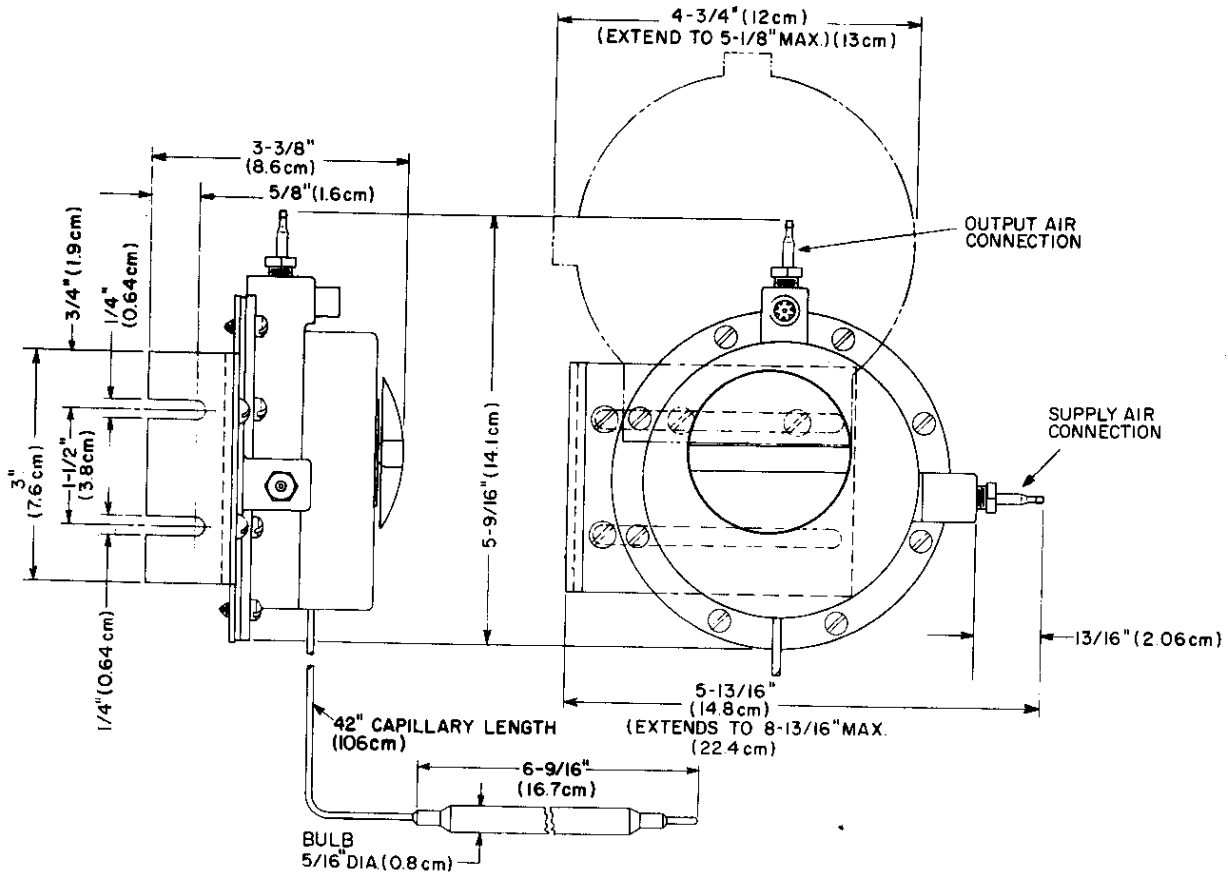
The T-3300 is attached to a metal bracket that permits a variety of mounting positions. It is recommended that the thermostat be placed so the dial is accessible.

### Specifications

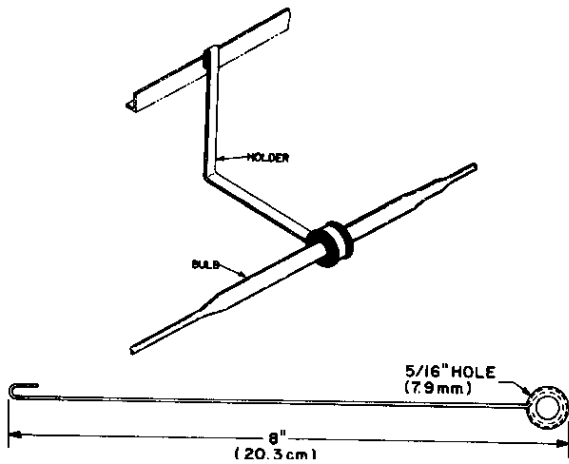
PRODUCT		T-3300 NON-RELAY TYPE THERMOSTAT	
ACTION	PROPORTIONAL	DIRECT ACTING WITH 15 psig (100 kPa) REVERSE ACTING WITH 20 psig (140 kPa)	T-3300-1
		DIRECT ACTING WITH 20 psig (140 kPa) REVERSE ACTING WITH 15 psig (100 kPa)	T-3300-2
	SWITCH POINT	17 psig (117 kPa)	
AIR CONNECTIONS	SUPPLY * AND OUTPUT	STRAIGHT CONNECTORS (02-526-58) FOR 1/4 IN. O.D. POLYETHYLENE TUBING	
MAXIMUM SUPPLY PRESSURE		25 psig (170 kPa)	
ELEMENT	TYPE	REMOTE BULB WITH 42 IN. (106 cm) CAPILLARY	
	RANGE	60 TO 150F (15 TO 65C)	
SENSITIVITY		2.5 psi/F° (31 kPa/C°)	
DIAL	SPAN	20F° (11C°) MAXIMUM	
	RANGE	FACTORY SET AT $\pm 7.5F^{\circ}$ ( $\pm 4C^{\circ}$ )	
	MARKING	"COOL-WARM", GRADUATED IN ONE DEGREE "F" INCREMENTS	
AMBIENT TEMPERATURE LIMITS		-20 TO +150F (-29 TO 65C)	
MATERIAL	BODY	DIE CAST ALUMINUM	
	COVER	DIE CAST ZINC	
COVER FINISH		GREEN LACQUER	
ACCESSORY		T-275-100 BULB ELEMENT HOLDER	

\* USE 1/4 IN. O.D. TUBING ONLY TO SUPPLY CONNECTOR

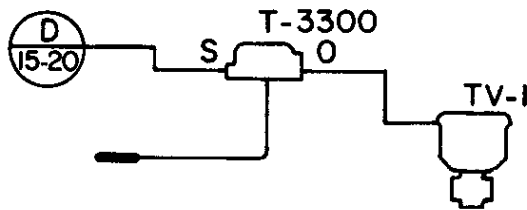
**Dimensions**



**T-275-100 Bulb Element Holder**



**Typical Application**



**JOHNSON  
CONTROLS**

Controls Group  
507 E. Michigan Street  
P.O. Box 423  
Milwaukee, WI 53202

Printed in U.S.A.