

# Style B Bulb Sensing Element Installation Instructions

Part No. 24-3201-4, Rev. A  
Issued April 15, 2012  
Supersedes June 17, 2003

Refer to the [QuickLIT website](#) for the most up-to-date version of this document.

## Installation

Use the following steps to install a Style B Bulb Sensing Element into a bulb well or a flange and bulb holder:

1. Slide the compression nut and ferrule (both furnished with bulb well or flange) over the element.

**Note:** If you are inserting the element into a bulb well, remove and discard both the Thermo-Mastic fluid retainer and plastic thread protector.

2. Insert the element into the bulb well or flange until the element bottoms out in the well or is 1/4 in. (6 mm) away from the flange compression nut.
3. Finger tighten the compression nut.

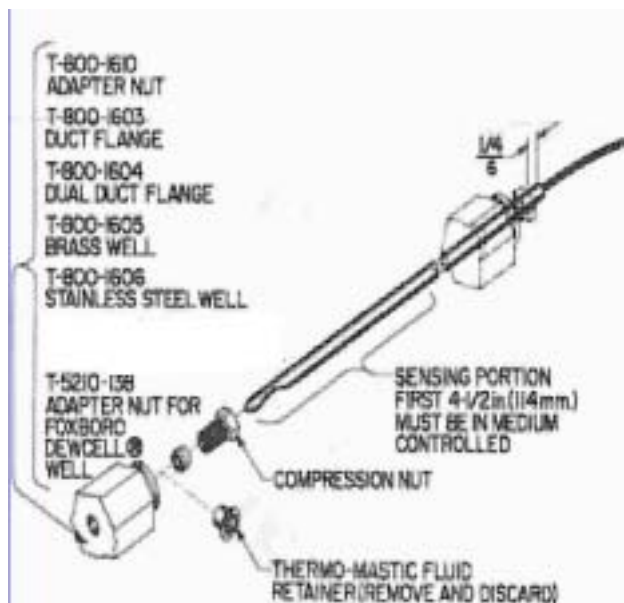


Figure 1: Installing the Element

If the element is installed in a bulb well manufactured by a company other than Johnson Controls, ensure that the bulb well is 1/3 full (at maximum) of the Thermo-Mastic F-1000-182 medium. Additionally, ensure that the element bottoms out in the bulb well.

**Note:** If the T-275-100 bulb holder is used, locate the sensitive portion of the element in an area that best represents the air sampling.

Use the following steps to install a Style B Bulb Sensing Element onto a hanger:

1. Slide the rubber grommet over the element until the grommet is past the sensing portion of the element.
2. Slightly crimp the metal around the grommet to hold the element in place.
3. Attach the element to the nearest hanger.

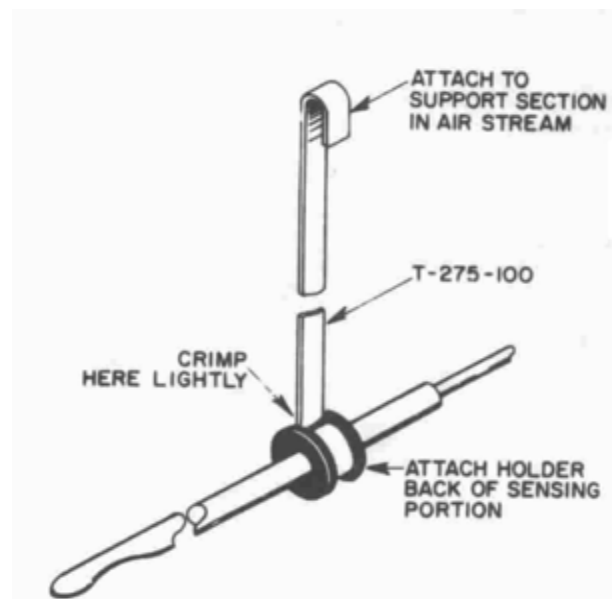


Figure 2: Attaching the Element



**Building Efficiency**  
507 E. Michigan Street, Milwaukee, WI 53202

*Metasys® and Johnson Controls® are registered trademarks of Johnson Controls, Inc.  
All other marks herein are the marks of their respective owners. © 2013 Johnson Controls, Inc.*