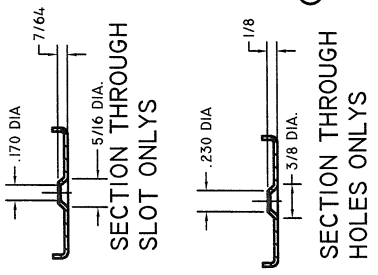
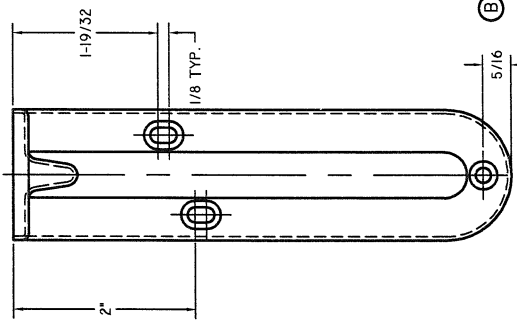
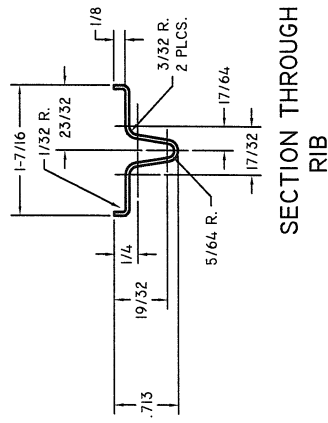
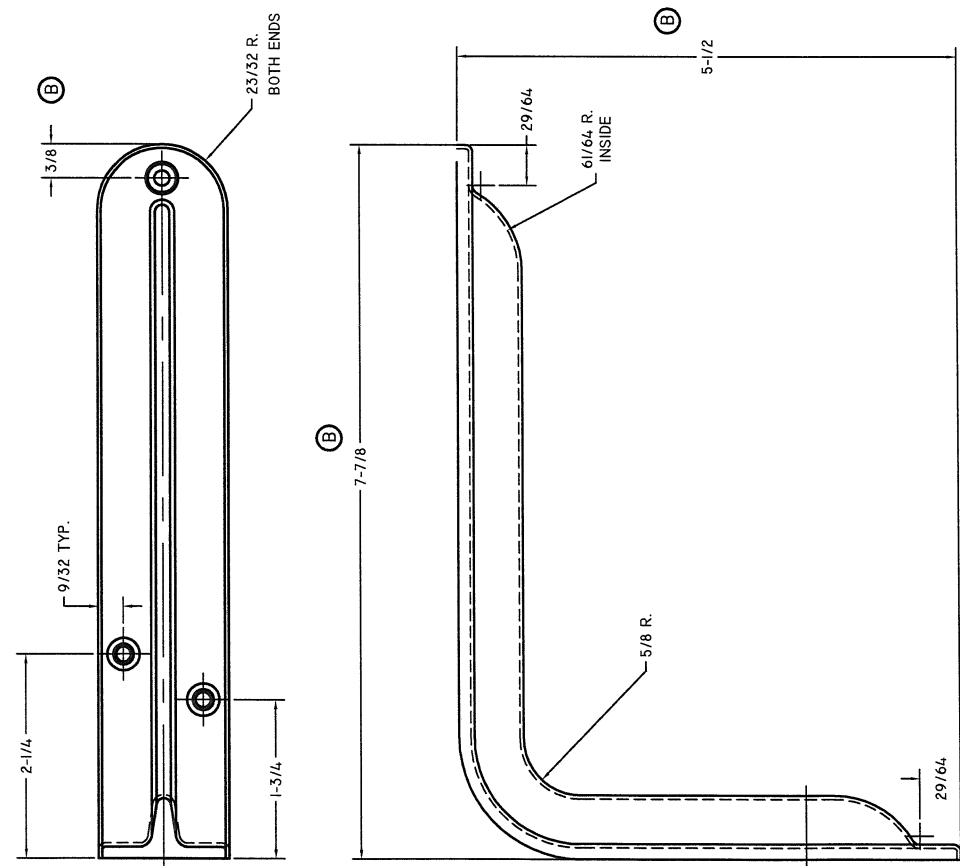


4 3 2 1



PACKING NOTES:
 * PACK (20) BRACKETS PER CARTON WITH APPROVED LABELING.
 * EACH BRACKET TO HAVE AN ATTACHED SHEET WITH (6) MATCHING COLOR .375 DIA. SELF ADHESIVE SCREW HEAD COVERS.
 * EACH BRACKET TO HAVE A SELF ADHESIVE UPC LABEL STICKER ATTACHED.

PART NUMBER	FINISH
LW-0099-8BK	SATIN BLACK
LW-0099-8WT	GLOSS WHITE
RP-0099-8BK	SATIN BLACK
RP-0099-8WT	GLOSS WHITE

TOLERANCES UNLESS SPECIFIED: DECIMALS ±.005 FRACTIONS ±1/64 ANGLES ±1/2°

FILE NAME	CONTRACT NO.	Rick
DRAWN	CHECK	
APPR.	ISSUED	7/1/04
EN 4771 9-04	SIZE	FSCM NO
	C	DWG NO
		-0099-8
		REV
		B

JOHN STERLING CORP.
 RICHMOND, IL 60071
 MATERIAL: .042 C.R.S.
8" MAGNUM SHELF BRACKET
 (BLACK & WHITE)

4 3 2 1