

**Please read and save these instructions.** Read carefully before attempting to assemble, install, operate or maintain the product described. Protect yourself and others by observing all safety information. Failure to comply with instructions could result in personal injury and/or property damage! Retain instructions for future reference.

# Dayton® Industrial Assembled Air Circulator Heads - Nonoscillating, Oscillating, 208 and 277V, and 3-Phase

## Description

Designed for cooling workers in factories, warehouses, manufacturing facilities and garages where humid and demanding conditions exist. All circulator heads have high efficiency corrosion resistant propellers with aluminum blades, except 36" sizes have steel blades. Circulator heads utilize a vertical tilt/locking adjustment for directional flow. Wire guards are gray polyester powder-coated and comply with OSHA Standard 1910.212 (1/2" max opening). Fans are UL/cUL Listed Standard 507. All circulator heads are nonoscillating except 1VCF2 thru 1VCF5, 13F046 and 13F047 which sweep through a 45° or 90° arc.

Permanent split capacitor motors are totally enclosed air over. All 115V motors have a pull chain switch and include a 10 ft. factory wired, 3-conductor cord with grounded molded plug. Conduit box provided on 208V, 277V and 3-phase motors for hard wiring. All circulators have a maximum ambient temperature of 104°F.

## Optional Accessories

Description	Model No.
Adj. Floor Pedestal (Closed Base):	1ZCP2, 13F048, 13F049
Adj. Floor Pedestal (Open Base):	1ZCP4
Pedestal Wheel Kit:	1ZCP5
Mounting Bracket (Wall/Post/Ceiling):	1ZCP6
Heavy-Duty Mounting Bracket:	3PEH3
Mounting Bracket (Suspension):	1ZCP7
Mounting Bracket (I-beam):	1ZCP8
Misting Kit (Nonoscillating & 208 & 277V):	1ZCP9

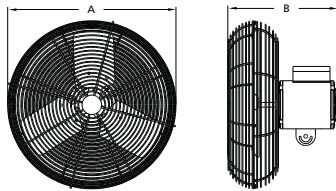


Figure 1 — Nonoscillating Dimensions

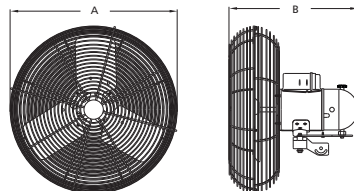


Figure 2 — Oscillating Dimensions

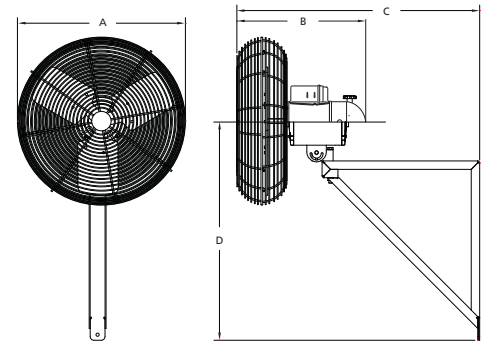


Figure 3 — 3PEG9 Dimensions

## Dimensions and Specifications

Model	Prop. Dia.	A	B	C	D	Volts	Hz	Phase	Speeds	Blades	Optional Accessories
<b>NONOSCILLATING (See Figure 1 and Figure 3)</b>											
13F044	16"	20"	14 1/4"	—	—	115	60	1	2	3	1ZCP2, 1ZCP4 thru 1ZCP9, 3PEH3, 13F048
13F045 (*)	18	23	14 1/4"	—	—	115	60	1	2	3	1ZCP2, 1ZCP4 thru 1ZCP9, 3PEH3, 13F048
1VCE7 (*)	20	23	12 1/4"	—	—	115	60	1	2	3	1ZCP2, 1ZCP4 thru 1ZCP9, 3PEH3, 13F048
1VCE8 (*)	24	27	12 1/4"	—	—	115	60	1	2	3	1ZCP2, 1ZCP4 thru 1ZCP9, 3PEH3, 13F048
1VCE9 (*)	30	33	14 1/4"	—	—	115	60	1	2	3	1ZCP2, 1ZCP4 thru 1ZCP9, 3PEH3, 13F049
3PEG9 (*Δ)	36	39	14 1/4"	34 1/8"	29 1/2"	115	60	1	2	3	1ZCP9, 3PEH3, 13F049
<b>OSCILLATING (See Figure 2 and Figure 3)</b>											
13F046	16"	20"	14 1/4"	—	—	115	60	1	2	3	1ZCP2, 1ZCP4 thru 1ZCP9, 3PEH3, 13F048
13F047	18	23	14 1/4"	—	—	115	60	1	2	3	1ZCP2, 1ZCP4 thru 1ZCP9, 3PEH3, 13F048
1VCF2	20	23	16 1/4"	—	—	115	60	1	2	3	1ZCP2, 1ZCP4 thru 1ZCP9, 3PEH3, 13F048
1VCF3	24	27	16 1/4"	—	—	115	60	1	2	3	1ZCP2, 1ZCP4 thru 1ZCP9, 3PEH3, 13F048
1VCF4	30	33	19"	—	—	115	60	1	2	3	1ZCP2, 1ZCP4 thru 1ZCP8, 3PEH3, 13F049

(\*)Motors on Nonoscillating and 208 and 277V models are weather tight for use with misting kit accessory.  
 (Δ) Heavy-Duty Mounting Bracket included with assembly.

# Dayton® Industrial Assembled Air Circulator Heads - Nonoscillating, Oscillating, 208 and 277V, and 3-Phase

ENGLISH

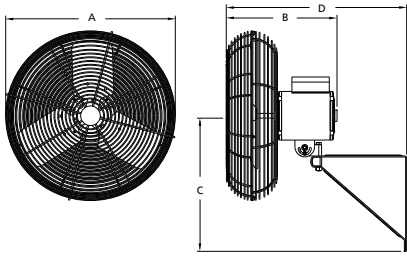


Figure 4 — 208 & 277V Dimensions

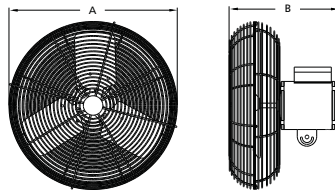


Figure 5 — 3-Phase Dimensions

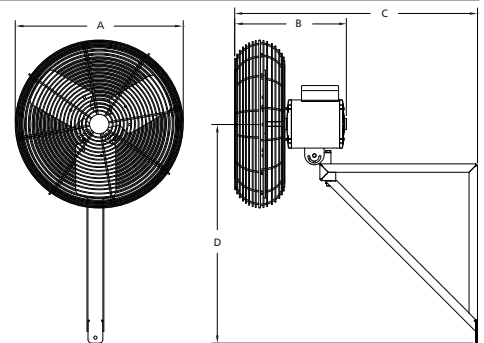


Figure 6 — 3PEH2 Dimensions

## Dimensions and Specifications (Continued)

Model	Prop. Dia.	A	B	C	D	Volts	Hz	Phase	Speeds	Blades	Optional Accessories
<b>208 AND 277V (See Figure 4)</b>											
1VCG3 (*†)	24"	27"	13 <sup>7</sup> / <sub>8</sub> "	17 <sup>1</sup> / <sub>2</sub> "	23 <sup>7</sup> / <sub>16</sub> "	208	60	1	1	3	1ZCP2, 1ZCP4 thru 1ZCP9, 3PEH3, 13F048
1VCG4 (*†)	24	27	13 <sup>7</sup> / <sub>8</sub>	17 <sup>1</sup> / <sub>2</sub>	23 <sup>7</sup> / <sub>16</sub>	277	60	1	1	3	1ZCP2, 1ZCP4 thru 1ZCP9, 3PEH3, 13F048
1VCG5 (*†)	30	33	16	17 <sup>1</sup> / <sub>2</sub>	25 <sup>7</sup> / <sub>16</sub>	208	60	1	1	3	1ZCP2, 1ZCP4 thru 1ZCP9, 3PEH3, 13F049
1VCG6 (*†)	30	33	16	17 <sup>1</sup> / <sub>2</sub>	25 <sup>7</sup> / <sub>16</sub>	277	60	1	1	3	1ZCP2, 1ZCP4 thru 1ZCP9, 3PEH3, 13F049
<b>3-PHASE (See Figure 5 and Figure 6)</b>											
1VCG7	24"	27"	13 <sup>7</sup> / <sub>8</sub> "	—	—	208-230/460	60	3	1	3	1ZCP2, 1ZCP4 thru 1ZCP8, 3PEH3, 13F048
1VCG8	30	33	16	—	—	208-230/460	60	3	1	3	1ZCP2, 1ZCP4 thru 1ZCP8, 3PEH3, 13F049
3PEH2 (Δ)	36	39	16	34 <sup>1</sup> / <sub>8</sub>	29 <sup>1</sup> / <sub>2</sub>	208-230/460	60	3	1	3	3PEH3, 13F049

(\* )Motors on Nonoscillating and 208 and 277V models are weather tight for use with misting kit accessory.

(†) Wall/Post/Ceiling mounting device is included with assembly.

(Δ) Heavy-Duty Mounting Bracket included with assembly.

## Performance

Model	Prop. Dia.	Motor RPM	HP	CFM High	CFM Low	Air Velocity @ 20 Ft. (FPM)	Sones @ 0.000 SP	Operating Amps	Full Load Amps
<b>NONOSCILLATING</b>									
13F044	16"	1625/1250	1/8	2000	1560	210/160	25	1.1/0.85	1.1
13F045	18	1075/750	1/4	4500	2900	360/310	26	1.7/1.6	1.9
1VCE7	20	1075/750	1/4	4700	3055	580/375	28	0.94/0.66	1.9
1VCE8	24	1075/750	1/3	6100	3800	570/465	24	3.38/2.29	4.2
1VCE9	30	1075/750	1/2	9704	8712	750/700	32	3.70/3.12	5.0
3PEG9	36	1075/750	1/2	12,500	8000	1000/930	43	3.75/3.54	5.0
<b>OSCILLATING</b>									
13F044	16"	1075/750	1/4	2000	1320	210/140	24	1.5/1.9	3.5
13F045	18	1075/750	1/4	4500	2900	360/310	26	1.7/1.6	3.5
1VCF2	20	1075/750	1/4	4700	3055	580/375	28	2.25/0.51	3.5
1VCF3	24	1075/750	1/2	6400	4460	410/325	24	4.65/3.31	5.9
1VCF4	30	1075/750	1/2	9612	8674	710/650	32	4.06/2.61	5.9

# Models 1VCE7 thru 1VCE9, 1VCF2 thru 1VCF4, 1VCG3 thru 1VCG8, 3PEG9, 3PEH1 and 3PEH2, 13F044 thru 13F047

## Performance (Continued)

Model	Prop. Dia.	Motor RPM	HP	CFM		Air Velocity @ 20 Ft. (FPM)	Sones @ 0.000 SP	Operating Amps	Full Load Amps
				High	Low				
<b>208 AND 277V</b>									
1VCG3	24"	1075	1/2	6000	—	445	24	2.36	2.3
1VCG4	24	1075	1/2	6000	—	445	24	1.78	3.2
1VCG5	30	1075	1/2	9360	—	750	29	1.9	2.3
1VCG6	30	1075	1/2	9340	—	750	29	1.4	3.2
<b>3-PHASE</b>									
1VCG7	24"	1075	1/2	5750	—	585	24	2.48-2.48/1.24	2.2-2.2/1.1
1VCG8	30	1075	1/2	9327	—	750	29	2.21-2.21/1.1	2.2-2.2/1.1
3PEH2	36	1075	1/2	12,500	—	1000	43	1.49-1.49/0.75	2.2-2.2/1.1

## Unpacking

1. Inspect for any damage that may have occurred during transit.
2. Shipping damage claim must be filed with carrier.
3. Check all bolts, screws, setscrews, etc. for looseness that may have occurred during transit. Retighten as needed.

## General Safety Information

**▲ WARNING** *To reduce the risk of fire, electrical shock, or injury to persons, observe the following:*

- a. Use this unit only in the manner intended by the manufacturer. If you have questions, contact the manufacturer.
- b. Before servicing or cleaning unit, switch power off at service panel and lock the service disconnecting means to prevent power from being switched on accidentally. When the service disconnecting means cannot be locked, securely fasten a prominent warning device, such as a tag, to the service panel.

**▲ WARNING** *Do not depend on any switch to disconnect power supply. Always*

*unplug the power cord or turn off and lock disconnecting means as described.*

**▲ WARNING** *To reduce the risk of fire, electrical shock, or injury to persons, observe the following:*

- a. Installation work and electrical wiring must be done by a qualified person(s) in accordance with all applicable codes and standards, including fire-rated construction.
- b. When cutting or drilling into wall or ceiling, do not damage electrical wiring and other hidden utilities.

**▲ DANGER** *Do not place body parts or objects in circulator or motor openings while motor is connected to the power source.*

**▲ WARNING** *To reduce the risk of fire or electrical shock, do not use this fan with any solid-state speed control device. Do not use a three-prong to two-prong adapter on the power cord.*

**▲ WARNING** *To reduce the risk of electric shock, do not expose to water or rain.*

1. Read and follow all instructions, cautionary markings and make sure power source conforms to the requirement of the equipment.

2. Follow all local electrical and safety codes, as well as the National Electrical Code (NEC) and the Occupational Safety and Health Act (OSHA) in the United States, including fire rated construction. Ground motor in accordance with NEC Article 250 (grounding).
3. Avoid using extension cords. If used, be sure cord is UL rated and of proper type, gauge and length. Never operate more than one fan from a single extension cord.
4. Do not kink power cord or allow it to contact oil, grease, hot surfaces, sharp objects or chemicals. Replace worn or damaged cord immediately.

**▲ WARNING** *Do not use general purpose circulators in flammable, explosive, chemical-laden, or wet or rainy atmospheres. Use special purpose circulators designed for particular application. Do not attach ductwork to a circulator.*

5. In critical applications, use a suitable alarm (air switch, temperature sensor, etc.) should the circulator malfunction.

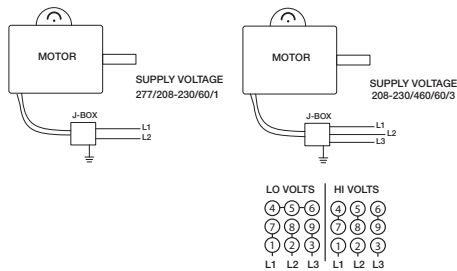
# Dayton® Industrial Assembled Air Circulator Heads - Nonoscillating, Oscillating, 208 and 277V, and 3-Phase

ENGLISH

## Installation

**⚠ WARNING** *Installation and troubleshooting to be performed only by qualified person(s).*

1. All 115V, 1-phase circulators include a factory wired, 3-conductor cord with grounded molded plug.
2. Where plug is not provided, connect power in accordance with the NEC and all local codes. Refer to Figure 7 for the wiring diagrams.



**Figure 7 — Typical Wiring Diagram**

3. To mount circulator, refer to the instructions provided with the Dayton corresponding accessory.

**NOTE:** Only models 1VCG3 thru 1VCG6, 3PEG9, 3PEH1 and 3PEH2 are shipped with a mounting accessory. For all other models, a Dayton mounting accessory must be purchased separately.

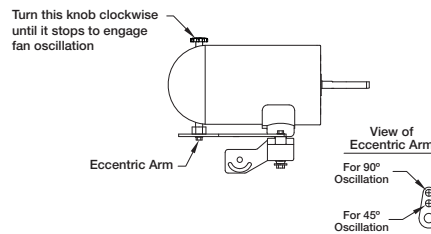
**⚠ CAUTION** *To reduce the risk of injury, use only with recommended Dayton accessories in owners manual.*

**⚠ WARNING** *Use only GFCI receptacles.*

**⚠ WARNING** *Not for outdoor applications.*

## Operation

1. The 2-speed, 115V motors operate by pulling the chain: Off-Low-Off-High.
2. For fan oscillation, tighten adjustment knob at top of motor clockwise until it stops. Adjust the sweep by securing eccentric arm: 90° sweep, connect to outer threaded hole; 45° sweep, connect to inner threaded hole.



**Figure 8 — Oscillating Mode**

3. Keep circulator head free from obstructions.

## Maintenance

**⚠ WARNING** *To reduce the risk of injury disconnect from power supply before servicing. Always unplug the power cord.*

1. With a dry rag, periodically clean propeller, guard, and motor when excessive dirt and particles accumulate. Allow motor sufficient time to cool as it may be hot enough to cause injury.
2. Follow motor manufacturer's instructions for motor lubrication.
3. Check for unusual noises when circulator is running.
4. Periodically inspect and tighten all bolts.

**IMPORTANT:** When making repairs, use only Dayton authorized repair parts.

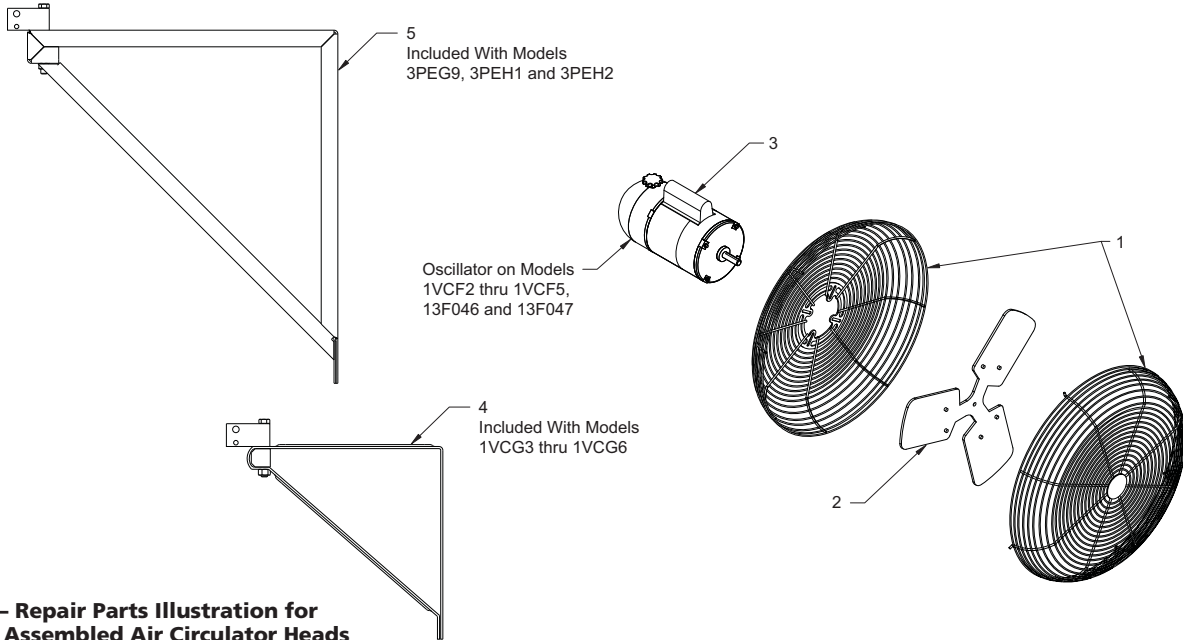
**⚠ WARNING** *If the electrical cord is damaged, it must be replaced by a qualified service representative to avoid risk.*

# For Repair Parts, call 1-800-323-0620

**24 hours a day – 365 days a year**

Please provide following information:

- Model number
- Serial number (if any)
- Part description and number as shown in parts list



**Figure 9 — Repair Parts Illustration for Industrial Assembled Air Circulator Heads**

## Repair Parts List for Industrial Assembled Air Circulator Heads (See Figure 9)

Ref. No.	Description	Part Number For Models:										Qty.
		1VCE7	1VCE8	1VCE9	1VCF2	1VCF3	1VCF4	1VCG3	1VCG4	1VCG5	1VCG6	
1	Guard Set	2ATB8	2ATB9	2ATC1	2ATB8	2ATB9	2ATC1	2ATB9	2ATB9	2ATC1	2ATC1	1
2	Propeller	2ATV7	2ATW2	2KWJ4	2ATV7	2ATW2	2KWJ4	2ATW2	2ATW2	2KWJ4	2KWJ4	1
3	Motor	2ATC3	2ATC4	2ATW3	2ATX1	2ATX2	2ATX2	2ATW7	2ATW8	2ATW7	2ATW8	1
(*)	Pull Chain Switch	60L937	60L937	60L937	60L937	60L937	60L937	—	—	—	—	1
(*)	(Δ)Oscillator Hardware Kit	—	—	—	60L499	60L499	60L499	—	—	—	—	1
(*)	Oscillator Motor Gear Box	—	—	—	60L500	60L500	60L500	—	—	—	—	1
(*)	(‡)Assembly Hardware	Standard hardware item (available locally)										
4	Wall Mounting Bracket	—	—	—	—	—	—	1ZCP6	1ZCP6	1ZCP6	1ZCP6	
(*)	(†)Yoke Mounting Hardware Kit	50H352	50H352	50H352	50H564	50H564	50H564	50H352	50H352	50H352	50H352	1

Ref. No.	Description	Part Number For Models:								Qty.	
		1VCG7	1VCG8	3PEG9	3PEH1	3PEH2	13F044	13F045	13F046		13F047
1	Guard Set	2ATB9	2ATC1	2ATC2	2ATC2	2ATC2	2ATB6	2ATB7	2ATB6	2ATB7	1
2	Propeller	2ATW2	2KWJ4	2ATB5	2ATB5	2ATB5	52A110	51N721	52J330	51N721	1
3	Motor	2ATW9	2ATW9	2ATW3	2ATX2	2ATW9	52A106	2ATC3	2ATX1	2ATX1	1
(*)	Pull Chain Switch	—	—	60L937	60L937	—	60L937	60L937	60L937	60L937	
(*)	(Δ)Oscillator Hardware Kit	—	—	—	60L499	—	—	—	60L499	60L499	1
(*)	Oscillator Motor Gear Box	—	—	—	60L500	—	—	—	60L500	60L500	1
(*)	(‡)Assembly Hardware	Standard hardware item (available locally)									
5	Heavy-Duty Mounting Bracket	—	—	3PEH3	3PEH3	3PEH3	—	—	—	—	1
(*)	(†)Yoke Mounting Hardware Kit	50H352	50H352	50H352	50H564	50H352	50H352	50H352	50H564	50H564	1

(\*) Not Shown.

(Δ) Oscillator Hardware Kit includes (2) 1/4-20 bolts, (2) 1/4 Spring Washer, (2) Bushings, (1) 1/4 Flat Washer, (1) Rotating Arm, (1) Splitpin, and (1) Connecting Rod.

(‡) Assembly hardware mounts rear guard to motor and propeller to motor shaft. Includes (1) 5/16-24 x 1/2 Sq. Head Set Screw, and (4) 10-32 Spin-lock Nuts.

(†) Yoke Mounting Hardware Kit mounts circulator to optional mounting accessory. Includes (1) 3/8-16 x 1 Hex Head Cap Screw, (1) 1/4-20 x 1 Hex Head Cap Screw,

(1) 3/8 Flat Washer, (1) 5/16 Flat Washer, (1) 3/8-16 Spin-lock Nut, and (1) 1/4-20 Spin-lock Nut.

# Dayton® Industrial Assembled Air Circulator Heads - Nonoscillating, Oscillating, 208 and 277V, and 3-Phase

## Troubleshooting Chart

Symptom	Possible Cause(s)	Corrective Action
Fan inoperative	1. Blown fuse or open circuit breaker 2. Defective motor or switch	1. Replace or repair 2. Replace or repair
Fan cycles on and off	1. Thermal protector 2. Faulty wiring or control switch	1. Check for obstructions to airflow, low or high voltage, excessive intake air temperature above 104°F 2. Replace or repair
Unit fails to oscillate (sweep)	1. Eccentric arm not secured 2. Defective gear assembly	1. Tighten 2. Replace motor
Excessive noise while operating	1. Loose or damaged propeller 2. Motor not secure	1. Tighten or replace 2. Tighten motor nuts
Insufficient air flow	1. Guard excessively dirty	1. Clean guards

### LIMITED WARRANTY

**DAYTON ONE-YEAR LIMITED WARRANTY.** DAYTON® INDUSTRIAL ASSEMBLED AIR CIRCULATOR HEADS - NONOSCILLATING, OSCILLATING, 208 AND 277V, AND 3-PHASE, MODELS COVERED IN THIS MANUAL, ARE WARRANTED BY DAYTON ELECTRIC MFG. CO. (DAYTON) TO THE ORIGINAL USER AGAINST DEFECTS IN WORKMANSHIP OR MATERIALS UNDER NORMAL USE FOR ONE YEAR AFTER DATE OF PURCHASE. ANY PART WHICH IS DETERMINED TO BE DEFECTIVE IN MATERIAL OR WORKMANSHIP AND RETURNED TO AN AUTHORIZED SERVICE LOCATION, AS DAYTON DESIGNATES, SHIPPING COSTS PREPAID, WILL BE, AS THE EXCLUSIVE REMEDY, REPAIRED OR REPLACED AT DAYTON'S OPTION. FOR LIMITED WARRANTY CLAIM PROCEDURES, SEE "PROMPT DISPOSITION" BELOW. THIS LIMITED WARRANTY GIVES PURCHASERS SPECIFIC LEGAL RIGHTS WHICH VARY FROM JURISDICTION TO JURISDICTION.

**LIMITATION OF LIABILITY.** TO THE EXTENT ALLOWABLE UNDER APPLICABLE LAW, DAYTON'S LIABILITY FOR CONSEQUENTIAL AND INCIDENTAL DAMAGES IS EXPRESSLY DISCLAIMED. DAYTON'S LIABILITY IN ALL EVENTS IS LIMITED TO AND SHALL NOT EXCEED THE PURCHASE PRICE PAID.

**WARRANTY DISCLAIMER.** A DILIGENT EFFORT HAS BEEN MADE TO PROVIDE PRODUCT INFORMATION AND ILLUSTRATE THE PRODUCTS IN THIS LITERATURE ACCURATELY; HOWEVER, SUCH INFORMATION AND ILLUSTRATIONS ARE FOR THE SOLE PURPOSE OF IDENTIFICATION, AND DO NOT EXPRESS OR IMPLY A WARRANTY THAT THE PRODUCTS ARE MERCHANTABILITY, OR FIT FOR A PARTICULAR PURPOSE, OR THAT THE PRODUCTS WILL NECESSARILY CONFORM TO THE ILLUSTRATIONS OR DESCRIPTIONS. EXCEPT AS PROVIDED BELOW, NO WARRANTY OR AFFIRMATION OF FACT, EXPRESSED OR IMPLIED, OTHER THAN AS STATED IN THE "LIMITED WARRANTY" ABOVE IS MADE OR AUTHORIZED BY DAYTON.

**Technical Advice and Recommendations, Disclaimer.** Notwithstanding any past practice or dealings or trade custom, sales shall not include the furnishing of technical advice or assistance or system design. Dayton assumes no obligations or liability on account of any unauthorized recommendations, opinions or advice as to the choice, installation or use of products.

**Product Suitability.** Many jurisdictions have codes and regulations governing sales, construction, installation, and/or use of products for certain purposes, which may vary from those in neighboring areas. While attempts are made to assure that Dayton products comply with such codes, Dayton cannot guarantee compliance, and cannot be responsible for how the product is installed or used. Before purchase and use of a product, review the product applications, and all applicable national and local codes and regulations, and be sure that the product, installation, and use will comply with them.

Certain aspects of disclaimers are not applicable to consumer products; e.g., (a) some jurisdictions do not allow the exclusion or limitation of incidental or consequential damages, so the above limitation or exclusion may not apply to you; (b) also, some jurisdictions do not allow a limitation on how long an implied warranty lasts, consequently the above limitation may not apply to you; and (c) by law, during the period of this Limited Warranty, any implied warranties of implied merchantability or fitness for a particular purpose applicable to consumer products purchased by consumers, may not be excluded or otherwise disclaimed.

**Prompt Disposition.** A good faith effort will be made for prompt correction or other adjustment with respect to any product which proves to be defective within limited warranty. For any product believed to be defective within limited warranty, first write or call dealer from whom the product was purchased. Dealer will give additional directions. If unable to resolve satisfactorily, write to Dayton at address below, giving dealer's name, address, date, and number of dealer's invoice, and describing the nature of the defect. Title and risk of loss pass to buyer on delivery to common carrier. If product was damaged in transit to you, file claim with carrier.

Manufactured for Dayton Electric Mfg. Co., 100 Grainger Parkway, Lake Forest, IL 60045-5201 U.S.A.

Manufactured for Dayton Electric Mfg. Co.  
Lake Forest, Illinois 60045 U.S.A.



ENGLISH

**Por favor lea y guarde estas instrucciones.** Léalas cuidadosamente antes de tratar de montar, instalar, operar o dar mantenimiento al producto aquí descrito. Protéjase usted mismo y a los demás observando toda la información de seguridad. ¡El no cumplir con las instrucciones puede ocasionar daños, tanto personales como a la propiedad! Guarde estas instrucciones para referencia en el futuro.

# Cabezales Ensamblados de Circulador de Aire Industriales - No Giratorios, Giratorios, 208 y 277 V, y Trifásico Dayton®

## Descripción

Diseñado para refrescar a los trabajadores en fábricas, almacenes, instalaciones de fabricación y garajes donde existan condiciones húmedas y exigentes. Todos los cabezales del circulador tienen hélices resistentes a la corrosión de alto rendimiento con paletas de aluminio, excepto los de tamaño 91,4 cm (36 pulg.) que tienen paletas de acero. Los cabezales del circulador utilizan una inclinación vertical/ajuste de bloqueo para el flujo direccional. Las rejillas de protección cuentan con una capa pulverizada de poliéster gris y cumplen la norma de OSHA 1910.212 (1,3 cm [0,5 pulg.] de apertura máxima). Los ventiladores aparecen en las listas UL/cUL, con la norma 507. Todos los cabezales de circulador no son giratorios, excepto 1VCF2 a 1VCF5, 13F046 y 13F047 los cuales se extienden en un arco de 45° o 90°.

Los motores de condensador de división permanente están totalmente cerrados al aire superior. Todos los motores de 115 V tienen un interruptor de cadena de tiro e incluyen un cordón conectado en fábrica de 3 m (10 pies) y de 3 conductores con un enchufe moldeado con conexión a tierra. La caja de distribución se proporciona en motores de 208 V, 227 V y trifásicos para cableado permanente. Todos los circuladores tienen una temperatura ambiente máxima de 40 °C (104 °F).

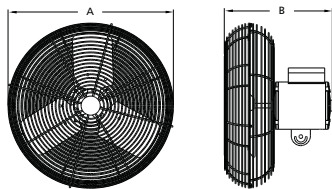


Figura 1 — Dimensiones No Giratorias

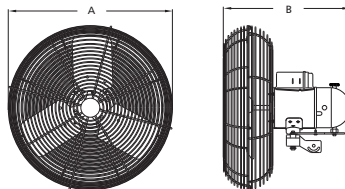


Figura 2 — Dimensiones Giratorias

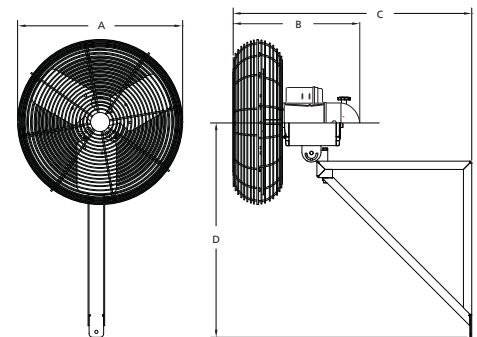


Figura 3 — Dimensiones 3PEG9

## Dimensiones y Especificaciones

Modelo	Diám. de la Hélice	A	B	C	D	Voltios	Hz	Fase	Control de Velocidad	Paletas	Accesorios Opcionales
<b>NO GIRATORIOS (Consulte las Figuras 1 y 3)</b>											
13F044	40,6 cm	50,8 cm	36,2 cm	—	—	115	60	1	2	3	1ZCP2, 1ZCP4 a 1ZCP9, 3PEH3, 13F048
13F045 (*)	45,7	58,4	36,2	—	—	115	60	1	2	3	1ZCP2, 1ZCP4 a 1ZCP9, 3PEH3, 13F048
1VCE7 (*)	50,8	58,4	31,1	—	—	115	60	1	2	3	1ZCP2, 1ZCP4 a 1ZCP9, 3PEH3, 13F048
1VCE8 (*)	61,0	68,6	31,1	—	—	115	60	1	2	3	1ZCP2, 1ZCP4 a 1ZCP9, 3PEH3, 13F048
1VCE9 (*)	76,2	83,8	36,2	—	—	115	60	1	2	3	1ZCP2, 1ZCP4 a 1ZCP9, 3PEH3, 13F049
3PEG9 (*Δ)	91,4	99,1	36,2	86,7	74,9	115	60	1	2	3	1ZCP9, 3PEH3, 13F049
<b>GIRATORIOS (Consulte las Figuras 2 y 3)</b>											
13F046	40,6 cm	50,8 cm	36,2 cm	—	—	115	60	1	2	3	1ZCP2, 1ZCP4 a 1ZCP9, 3PEH3, 13F048
13F047	45,7	58,4	36,2	—	—	115	60	1	2	3	1ZCP2, 1ZCP4 a 1ZCP9, 3PEH3, 13F048
1VCF2	50,8	58,4	41,3	—	—	115	60	1	2	3	1ZCP2, 1ZCP4 a 1ZCP9, 3PEH3, 13F048
1VCF3	61,0	68,6	41,3	—	—	115	60	1	2	3	1ZCP2, 1ZCP4 a 1ZCP9, 3PEH3, 13F048
1VCF4	76,2	83,8	48,3	—	—	115	60	1	2	3	1ZCP2, 1ZCP4 a 1ZCP8, 3PEH3, 13F049

(\*) Los motores en los modelos no giratorios, 208 y 277 V son herméticos para uso con el accesorio de juego de nebulización.  
(Δ) Soporte de montaje de uso intensivo incluido con el conjunto.

## Accesorios Opcionales

Descripción	N° de modelo
Pedestal de piso adyacente (base cerrada):	1ZCP2, 13F048, 13F049
Pedestal de piso adyacente (base abierta):	1ZCP4
Juego de ruedas del pedestal:	1ZCP5
Soporte para montaje (Pared/Poste/Cielo):	1ZCP6
Soporte de montaje de uso intensivo:	3PEH3
Soporte para montaje (suspensión):	1ZCP7
Soporte para montaje (viga en doble T):	1ZCP8
Juego de Nebulización (no giratorio y 208 y 277 V):	1ZCP9

# Cabezales Ensamblados de Circulador de Aire Industriales - No Giratorios, Giratorios, 208 y 277 V, y Trifásico Dayton®

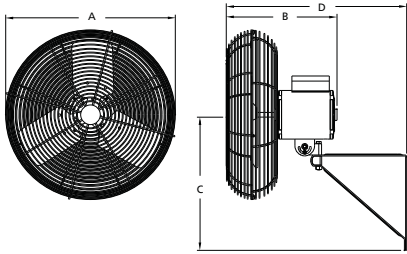


Figura 4 — Dimensiones de los Modelos 208 y 277 V

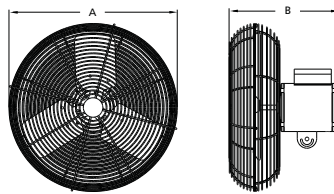


Figura 5 — Dimensiones del Modelo Trifásico

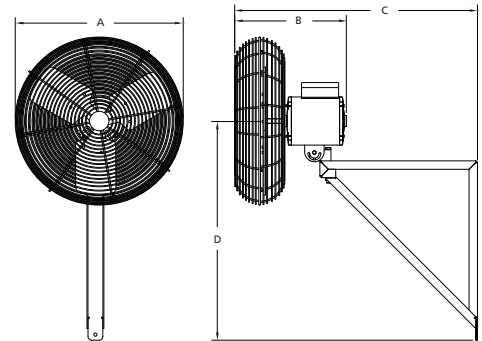


Figura 6 — Dimensiones de los Modelos 3PEH2

## Dimensiones y Especificaciones (Continuación)

Modelo	Diám. de la Hélice	A	B	C	D	Voltios	Hz	Fase	Velocidades	Paletas	Accesorios Opcionales
<b>208 Y 277 V (Consulte la Figura 4)</b>											
1VCG3 (*†)	61,0 cm	68,6 cm	35,2 cm	44,5 cm	59,5 cm	208	60	1	1	3	1ZCP2, 1ZCP4 a 1ZCP9, 3PEH3, 13F048
1VCG4 (*†)	61,0	68,6	35,2	44,5	59,5	277	60	1	1	3	1ZCP2, 1ZCP4 a 1ZCP9, 3PEH3, 13F048
1VCG5 (*†)	76,2	83,8	40,6	44,5	64,6	208	60	1	1	3	1ZCP2, 1ZCP4 a 1ZCP9, 3PEH3, 13F049
1VCG6 (*†)	76,2	83,8	40,6	44,5	64,6	277	60	1	1	3	1ZCP2, 1ZCP4 a 1ZCP9, 3PEH3, 13F049
<b>TRIFÁSICO (Consulte la Figura 5 y la Figura 6)</b>											
1VCG7	61,0 cm	68,6 cm	35,2 cm	—	—	208-230/460	60	3	1	3	1ZCP2, 1ZCP4 a 1ZCP8, 3PEH3, 13F048
1VCG8	76,2	83,8	40,6	—	—	208-230/460	60	3	1	3	1ZCP2, 1ZCP4 a 1ZCP8, 3PEH3, 13F049
3PEH2 (Δ)	91,4	99,1	40,6	86,7	74,9	208-230/460	60	3	1	3	3PEH3, 13F049

(\*†) Los motores en los modelos no giratorios, 208 y 277 V son herméticos para uso con el accesorio de juego de nebulización.

(†) El dispositivo de montaje en pared/poste/cielo se incluye con el conjunto.

(Δ) Soporte de montaje de uso intensivo incluido con el conjunto.

## Rendimiento

Modelo	Diám. de la Hélice	RPM del Motor	HP	CFM		Velocidad del Aire a 20 pies (FPM)	Sonios a 0,000 SP	Amperios de Funcionamiento	Amperios a Plena Carga
				Alto	Bajo				
<b>NO GIRATORIO</b>									
13F044	40,6 cm	1625/1250	1/8	2000	1560	210/160	25	1,1/0,85	1,1
13F045	45,7	1075/750	1/4	4500	2900	360/310	26	1,7/1,6	1,9
1VCE7	50,8	1075/750	1/4	4700	3055	580/375	28	0,94/0,66	1,9
1VCE8	61,0	1075/750	1/3	6100	3800	570/465	24	3,38/2,29	4,2
1VCE9	76,2	1075/750	1/2	9704	8712	750/700	32	3,70/3,12	5,0
3PEG9	91,4	1075/750	1/2	12.500	8000	1000/930	43	3,75/3,54	5,0
<b>GIRATORIO</b>									
13F044	40,6 cm	1075/750	1/4	2000	1320	210/140	24	1,5/1,9	3,5
13F045	45,7	1075/750	1/4	4500	2900	360/310	26	1,7/1,6	3,5
1VCF2	50,8	1075/750	1/4	4700	3055	580/375	28	2,25/0,51	3,5
1VCF3	61,0	1075/750	1/2	6400	4460	410/325	24	4,65/3,31	5,9
1VCF4	76,2	1075/750	1/2	9612	8674	710/650	32	4,06/2,61	5,9



# Modelos 1VCE7 a 1VCE9, 1VCF2 a 1VCF4, 1VCG3 a 1VCG8, 3PEG9, 3PEH1 y 3PEH2, 13F044 a 13F047

## Rendimiento (Continuación)

Modelo	Diám. de la Hélice	RPM del Motor	HP	CFM		Velocidad del Aire a 20 Pies (FPM)	Sonios a 0,000 SP	Amperios de Funcionamiento	Amperios a Plena Carga
				Alto	Bajo				
<b>208 Y 277 V</b>									
1VCG3	61,0 cm	1075	1/2	6000	—	445	24	2,36	2,3
1VCG4	61,0	1075	1/2	6000	—	445	24	1,78	3,2
1VCG5	76,2	1075	1/2	9360	—	750	29	1,9	2,3
1VCG6	76,2	1075	1/2	9340	—	750	29	1,4	3,2
<b>TRIFÁSICOS</b>									
1VCG7	61,0 cm	1075	1/2	5750	—	585	24	2,48-2,48/1,24	2,2-2,2/1,1
1VCG8	76,2	1075	1/2	9327	—	750	29	2,21-2,21/1,1	2,2-2,2/1,1
3PEH2	91,4	1075	1/2	12,500	—	1000	43	1,49-1,49/0,75	2,2-2,2/1,1

## Desembalaje

1. Revise si existen daños que se hayan producido durante el transporte.
2. Se debe presentar una queja por daños de transporte a la empresa de transporte.
3. Compruebe que ninguno de los pernos, tornillos o tornillos de fijación se haya soltado durante el transporte. Vuelva a apretarlos según sea necesario.

## Información de Seguridad General

**⚠ ADVERTENCIA** Para reducir el riesgo de incendio, descarga eléctrica o lesiones a personas, respete lo siguiente:

- a. Use esta unidad sólo como lo indica el fabricante. Si tiene dudas, comuníquese con el fabricante.
- b. Antes de realizar mantenimiento o limpiar la unidad, desconecte la alimentación en el panel de servicio y bloquee el servicio desconectando los medios para evitar que la alimentación se active en forma accidental. Cuando no se puedan bloquear los medios de desconexión del servicio, coloque firmemente un dispositivo de advertencia prominente, como una etiqueta, en el panel de servicio.

**⚠ ADVERTENCIA** No dependa de ningún interruptor para desconectar el suministro eléctrico. Desenchufe siempre el cable de alimentación o apague y bloquee los

medios de desconexión según se describe.

**⚠ ADVERTENCIA** Para reducir el riesgo de incendio, descarga eléctrica o lesiones a personas, respete lo siguiente:

- a. Una persona calificada debe realizar el trabajo de instalación y cableado eléctrico de acuerdo con todos los códigos y las normas aplicables, lo que incluye la construcción calificada contra incendios.
- b. Al cortar o perforar en una pared o cielo, no dañe el cableado eléctrico ni otros servicios ocultos.

**⚠ PELIGRO** No coloque partes del cuerpo ni objetos en el circulador ni en los orificios del motor mientras éste se encuentre conectado a la fuente de energía.

**⚠ ADVERTENCIA** Para reducir el riesgo de incendio o descarga eléctrica, no utilice este ventilador con ningún dispositivo de control de velocidad de estado sólido. No use un adaptador de tres a dos clavijas en el cable de alimentación.

**⚠ ADVERTENCIA** Para reducir el riesgo de descargas eléctricas, no lo exponga al agua ni a la lluvia.

1. Lea y siga todas las instrucciones y las marcas de precaución. Asegúrese de que la fuente de energía esté en conformidad con los requisitos del equipo.

2. Respete todos los códigos eléctricos y de seguridad locales, así como también, National Electrical Code (NEC) y la Ley de seguridad y salud ocupacionales (OSHA, por sus siglas en inglés) de los Estados Unidos, lo que incluye la construcción calificada para incendios. Conecte el motor a tierra de acuerdo con el Artículo 250 de NEC (conexión a tierra).

3. Evite usar cables de extensión. Si los utiliza, asegúrese de que tengan clasificación UL y que sean del tipo, calibre y largo adecuados. Nunca utilice un sólo cable de extensión para alimentar a más de un ventilador.
4. No enrosque el cable de alimentación ni permita el contacto con aceite, grasa, superficies calientes, objetos filosos ni productos químicos. Reemplace inmediatamente los cables desgastados o dañados.

**⚠ ADVERTENCIA** No use circuladores de uso general en atmósferas inflamables, explosivas, cargadas de productos químicos, húmedas o lluviosas. Use circuladores para propósitos especiales diseñados para aplicaciones particulares. No acople conductos a un circulador.

5. En aplicaciones críticas, use una alarma adecuada (interruptor de aire, sensor de temperatura, etc.) en caso de que se produzca un funcionamiento defectuoso del circulador.

# Cabezales Ensamblados de Circulador de Aire Industriales - No Giratorios, Giratorios, 208 y 277 V, y Trifásico Dayton®

## Instalación

**⚠ ADVERTENCIA** *La instalación y la solución de problemas la debe realizar sólo una persona calificada.*

1. Todos los circuladores de 115 V monofásicos incluyen un cable conectado en fábrica de 3 conductores con un enchufe con conexión a tierra moldeado.
2. Donde no se proporcione un enchufe, conecte la alimentación según NEC y todos los códigos locales. Consulte la Figura 7 para obtener los diagramas de cableado.

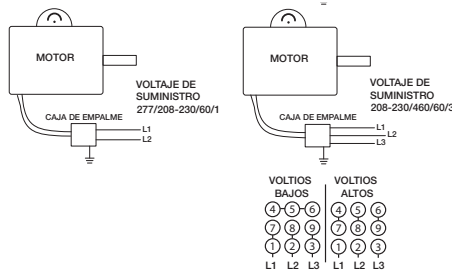


Figura 7 — Diagrama de Cableado Típico

3. Para montar el circulador, consulte las instrucciones que se incluyen con el accesorio Dayton correspondiente.

**NOTA:** Sólo los modelos 1VCG3 a 1VCG6, 3PEG9, 3PEH1 y 3PEH2 vienen con un accesorio de montaje. Para todos los demás modelos, se debe comprar un accesorio de montaje Dayton por separado.

**⚠ PRECAUCIÓN** *Para reducir el riesgo de lesiones, usar sólo con los accesorios Dayton recomendados que se indiquen en el manual del propietario.*

**⚠ ADVERTENCIA** *Use sólo tomacorrientes GFCI.*

**⚠ ADVERTENCIA** *No apto para aplicaciones al aire libre.*

## Funcionamiento

1. Los motores de 115 V de 2 velocidades funcionan al tirar de la cadena: Off-Low-Off-High (Apagado-Bajo-Apagado-Alto).
2. Para que gire el ventilador, apriete la perilla de ajuste en la parte superior del motor en el sentido de las agujas del reloj hasta que se detenga. Ajuste la extensión fijando el brazo excéntrico: extensión de 90°, conecte al orificio roscado exterior; extensión de 45°, conecte al orificio roscado interior.

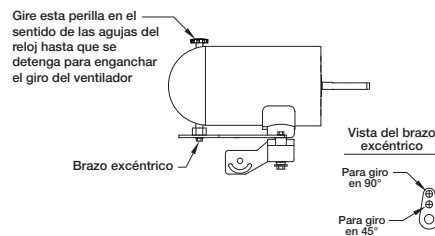


Figura 8 — Modo Giratorio

3. Mantenga el cabezal del circulador libre de obstrucciones.

## Mantenimiento

**⚠ ADVERTENCIA** *Para reducir el riesgo de lesiones, desconéctelo de la fuente de energía antes de realizar mantenimiento. Desconecte siempre el cable de alimentación.*

1. Limpie en forma periódica la hélice, el protector y el motor con un paño seco cuando se acumulen polvo y partículas en exceso. Deje que el motor se enfríe, puesto que puede estar lo suficientemente caliente para provocar lesiones.
2. Siga las instrucciones del fabricante del motor para su lubricación.
3. Cuando esté funcionando el circulador, revise si existen ruidos anormales.
4. Efectúe una inspección en forma periódica y apriete todos los pernos.

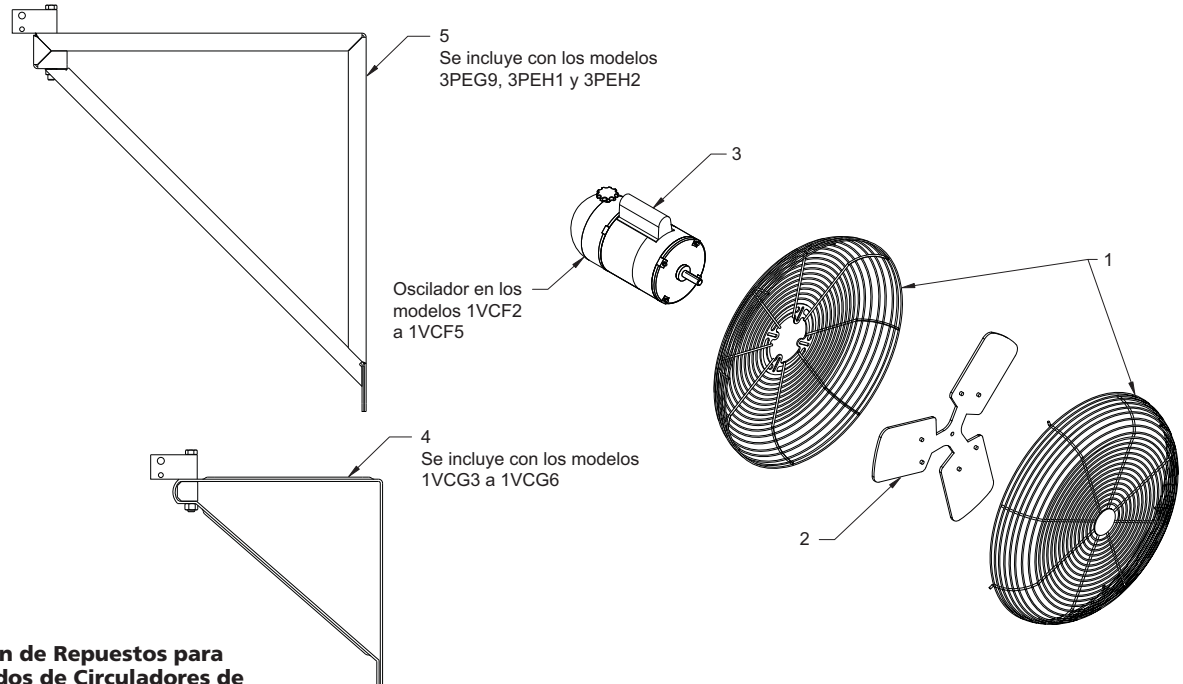
**IMPORTANTE:** Al hacer reparaciones, use sólo los repuestos autorizados por Dayton.

**⚠ ADVERTENCIA** *Si el cable eléctrico está dañado, lo debe reemplazar un representante de servicio calificado para evitar riesgos.*

## Para Obtener Repuestos, llame al 1-800-323-0620 las 24 horas del día; los 365 días del año

Por favor proporcione la siguiente información:

- Número de modelo
- Número de serie (si lo hay)
- Descripción de la parte y número que le corresponde en la liste de partes



**Figura 9 — Ilustración de Repuestos para Cabezales Ensamblados de Circuladores de Aire Industriales**

### Lista de Repuestos para Cabezal del Circulador de Aire Ensamblado Industrial (Consulte la Figura 9)

N° de Ref.	Descripción	Número de Parte para Modelos:										Cant.
		1VCE7	1VCE8	1VCE9	1VCF2	1VCF3	1VCF4	1VCG3	1VCG4	1VCG5	1VCG6	
1	Conjunto del Protector	2ATB8	2ATB9	2ATC1	2ATB8	2ATB9	2ATC1	2ATB9	2ATB9	2ATC1	2ATC1	1
2	Hélice	2ATV7	2ATW2	2KWJ4	2ATV7	2ATW2	2KWJ4	2ATW2	2ATW2	2KWJ4	2KWJ4	1
3	Motor	2ATC3	2ATC4	2ATW3	2ATX1	2ATX2	2ATX2	2ATW7	2ATW8	2ATW7	2ATW8	1
(*)	Interruptor de Cadena de Tiro	60L937	60L937	60L937	60L937	60L937	60L937	—	—	—	—	1
(*)	(Δ) Juego de Piezas Metálicas Giratorias	—	—	—	60L499	60L499	60L499	—	—	—	—	1
(*)	Caja de Engranajes del Motor Giratorio	—	—	—	60L500	60L500	60L500	—	—	—	—	1
(*)	(‡) Piezas Metálicas de Ensamblaje	Artículo de pieza metálica estándar (disponible en forma local)										
4	Soporte de Montaje en Pared	—	—	—	—	—	—	1ZCP6	1ZCP6	1ZCP6	1ZCP6	1
(*)	(†) Juego de Piezas Metálicas de Montaje de Brida	50H352	50H352	50H352	50H564	50H564	50H564	50H352	50H352	50H352	50H352	1

N° de Ref.	Descripción	Número de Parte para Modelos:								Cant.	
		1VCG7	1VCG8	3PEG9	3PEH1	3PEH2	13F044	13F045	13F046		13F047
1	Conjunto del Protector	2ATB9	2ATC1	2ATC2	2ATC2	2ATC2	2ATB6	2ATB7	2ATB6	2ATB7	1
2	Hélice	2ATW2	2KWJ4	2ATB5	2ATB5	2ATB5	52A110	51N721	52J330	51N721	1
3	Motor	2ATW9	2ATW9	2ATW3	2ATX2	2ATW9	52A106	2ATC3	2ATX1	2ATX1	1
(*)	Interruptor de Cadena de Tiro	—	—	60L937	60L937	—	60L937	60L937	60L937	60L937	1
(*)	(Δ) Juego de Piezas Metálicas Giratorias	—	—	—	60L499	—	—	—	60L499	60L499	1
(*)	Caja de Engranajes del Motor Giratorio	—	—	—	60L500	—	—	—	60L500	60L500	1
(*)	(‡) Piezas Metálicas de Ensamblaje	Artículo de pieza metálica estándar (disponible en forma local)									
5	Soporte de Montaje de Uso Intensivo	—	—	3PEH3	3PEH3	3PEH3	—	—	—	—	1
(*)	(†) Juego de Piezas Metálicas de Montaje de Brida	50H352	50H352	50H352	50H564	50H352	50H352	50H352	50H564	50H564	1

(\*) No se muestra.

(Δ) El juego de piezas metálicas giratorias incluye (2) pernos de 1/4-20, (2) arandelas de resorte de 1/4, (2) bujes, (1) arandela plana de 1/4, (1) brazo giratorio, (1) pasador de aletas y (1) barra de conexión.

(‡) Las piezas metálicas de ensamblaje montan el protector trasero en el motor y la hélice en el eje del motor. Incluye (1) tornillo de fijación de cabeza cuadrada de 5/16-24 x 1/2 y (4) tuercas Spin-lock de 10-32.

(†) El juego de piezas metálicas de montaje de brida monta el circulador en el accesorio de montaje opcional. Incluye (1) perno de sombrerete con cabeza hexagonal de 3/8-16 x 1, (1) perno de sombrerete con cabeza hexagonal de 1/4-20 x 1, (1) arandela plana de 3/8, (1) arandela plana de 5/16, (1) tuerca Spin-lock de 3/8-16 y (1) tuerca Spin-lock de 1/4-20.

# Cabezales Ensamblados de Circulador de Aire Industriales - No Giratorios, Giratorios, 208 y 277 V, y Trifásico Dayton®

## Tabla de Solución de Problemas

Síntoma	Causas Posibles	Medidas Correctivas
No funciona el ventilador	1. Se quemó un fusible o hay un cortacircuitos abierto 2. Motor o interruptor defectuoso	1. Reemplácelo o repárelo 2. Reemplácelo o repárelo
El ventilador se enciende y se apaga	1. Protector térmico 2. Cableado o interruptor de control defectuoso	1. Compruebe si hay obstrucciones en el flujo de aire, voltaje bajo o alto, temperatura excesiva del aire de entrada por sobre los 40°C (104°F) 2. Reemplácelo o repárelo
La unidad no gira (extensión)	1. El brazo de conexión no está fijo 2. Conjunto de engranaje defectuoso	1. Apriételo 2. Reemplace el motor
Ruido excesivo durante el funcionamiento	1. La hélice está suelta o dañada 2. El motor no está fijo	1. Apriétela o reemplácela 2. Apriete las tuercas del motor
Flujo de aire insuficiente	1. El protector está excesivamente sucio	1. Limpie los protectores

## GARANTÍA LIMITADA

**GARANTÍA LIMITADA DE UN AÑO DAYTON.** CABEZALES ENSAMBLADOS DE CIRCULADOR DE AIRE INDUSTRIALES - NO GIRATORIOS, GIRATORIOS, 208 Y 277 V, Y TRIFÁSICO DAYTON®, LOS MODELOS INCLUIDOS EN ESTE MANUAL, TIENEN GARANTÍA DE DAYTON ELECTRIC MFG. CO. (DAYTON) POR DEFECTOS DE FABRICACIÓN O MATERIALES DURANTE SU USO NORMAL DURANTE UN AÑO A PARTIR DE LA FECHA DE COMPRA. TODA PIEZA QUE SE DEMUESTRE QUE TENGA DEFECTOS DE MATERIAL O DE MANO DE OBRA Y SE DEVUELVA A UN LUGAR DE SERVICIO TÉCNICO AUTORIZADO, DESIGNADO POR DAYTON, COSTOS DE TRANSPORTE PREPAGADOS, SERÁ COMO RECURSO EXCLUSIVO, REPARADA O REEMPLAZADA SEGÚN EL CRITERIO DE DAYTON. POR DEMANDA DE GARANTÍA LIMITADA, VER "DISPOSICIÓN INMEDIATA" A CONTINUACIÓN. ESTA GARANTÍA LIMITADA LE DA AL COMPRADOR DERECHOS LEGALES ESPECÍFICOS QUE VARIAN DE UNA JURISDICCIÓN A OTRA.

**RESTRICCIÓN DE RESPONSABILIDAD.** HASTA DONDE LO PERMITA LA LEGISLACIÓN PERTINENTE, DAYTON NIEGA EXPRESAMENTE SU RESPONSABILIDAD EN DAÑOS DE INDIRECTOS O EMERGENTES. LA RESPONSABILIDAD DE DAYTON EN TODOS LOS CASOS SE LIMITA AL PRECIO DE COMPRA Y NO DEBE EXCEDER ÉSTE.

**DENEGACIÓN DE GARANTÍA.** SE HA HECHO UN GRAN ESFUERZO POR PROPORCIONAR INFORMACIÓN SOBRE EL PRODUCTO E ILUSTRAR LOS PRODUCTOS DE MANERA PRECISA EN ESTE DOCUMENTO; SIN EMBARGO, TAL INFORMACIÓN E ILUSTRACIONES TIENEN EL ÚNICO PROPÓSITO DE IDENTIFICACIÓN, Y NO EXPRESA NI IMPLICA UNA GARANTÍA DE QUE LOS PRODUCTOS SEAN DE BUENA CALIDAD, O QUE SE ADAPTEN E UN PROPÓSITO EN ESPECIAL, NI QUE LOS PRODUCTOS ESTÉN NECESARIAMENTE DE ACUERDO CON LAS ILUSTRACIONES O DESCRIPCIONES. CON EXCEPCIÓN DE LO QUE SE DETALLA A CONTINUACIÓN, NINGUNA GARANTÍA NI AFIRMACIÓN DE HECHO, EXPRESA O IMPLÍCITA, APARTE DE LO QUE SE INCLUYE EN LA "GARANTÍA LIMITADA" ESTÁ HECHA O AUTORIZADA POR DAYTON.

**Asesoría Técnica y Recomendaciones, Exención de Responsabilidad.** No obstante las prácticas, tratos o costumbre del oficio anteriores, las ventas no incluirán asesoría o asistencia técnica, o el diseño del sistema. Dayton no asume obligaciones ni responsabilidades debido a recomendaciones, opiniones o asesorías no autorizadas en cuanto a la elección, la instalación o el uso de productos.

**Aptitud del Producto.** Muchas jurisdicciones tienen códigos y ordenanzas que regulan las ventas, la construcción, la instalación, y/o el uso de productos para ciertos propósitos, que pueden variar con respecto a los de las áreas vecinas. Si bien se hacen intentos para garantizar que los productos Dayton cumplan tales códigos, Dayton no garantiza su cumplimiento y no puede ser responsable por la manera en que se instalen o usen los productos. Antes de la compra y del uso de un producto, revise sus aplicaciones y todos los códigos, y reglamentos nacionales y locales pertinentes, y asegúrese de que el producto, su instalación y su uso estén en conformidad con ellos.

Ciertos aspectos de la denegación no se aplican a productos del consumidor; por ej., (a) algunas jurisdicciones no permiten la exclusión o la limitación de daños accidentales o resultantes, por lo que la limitación o exclusión mencionadas anteriormente, pueden no aplicarse a usted; (b) además, algunas jurisdicciones no permiten una limitación sobre la duración de una garantía implícita, en consecuencia, la limitación mencionada anteriormente puede no aplicarse a usted; y (c) por ley, durante el período de esta Garantía Limitada, cualquier garantía implícita de comerciabilidad o aptitud para un propósito en particular que se aplique a productos del consumidor adquiridos por consumidores, no puede ser excluida ni rechazada.

**Disposición Inmediata.** Se realizará un esfuerzo de buena fe para corregir o realizar otros ajustes de manera oportuna con respecto a cualquier producto que se demuestra que tenga defectos dentro de la garantía limitada. En caso de existir un producto con fallas dentro de la garantía limitada, escriba o llame al distribuidor a quien le compró el producto. Éste le indicará qué hacer. Si el problema no se resuelve de manera satisfactoria, escriba a Dayton a la dirección que figura a continuación, indicando nombre del distribuidor, dirección, fecha y número de la factura del distribuidor, y describa la naturaleza de la falla. Título y riesgo de pérdida pasan al comprador en la entrega a la compañía de transporte. Si el producto se dañó durante el transporte, presente el reclamo al transportista.

Fabricado por Dayton Electric Mfg. Co., 100 Grainger Parkway, Lake Forest, IL 60045-5201 EE.UU.

Fabricado por Dayton Electric Mfg. Co.  
Lake Forest, Illinois 60045 EE.UU.

**Dayton®**

E  
S  
P  
A  
Ñ  
O  
L

**Veillez lire et conserver ces instructions.** Lire attentivement avant de commencer à assembler, installer, faire fonctionner ou entretenir l'appareil décrit. Protégez-vous et les autres en observant toutes les informations sur la sécurité. Négliger d'appliquer ces instructions peut résulter en des blessures corporelles et/ou en des dommages matériels ! Conserver ces instructions pour références ultérieures.

# Ventilateurs industriels assemblés de Dayton® - Non oscillants, oscillants, 208 et 277 V et triphasés

## Description

Conçus pour le rafraîchissement des ouvriers dans des usines, entrepôts, ateliers de production et garages en présence d'humidité ou de conditions difficiles. Tous les ventilateurs comportent des pales de haut rendement résistantes à la corrosion en aluminium, à l'exception des modèles de 91,4 cm (36 po), qui ont des pales en acier. Les ventilateurs utilisent un réglage d'inclinaison verticale/verrouillage pour diriger l'écoulement d'air. Les grilles métalliques ont un revêtement polyester gris poudré et sont conformes à la norme OSHA 1910.212 (ouverture maxi. 1,3 cm [0,5 po]). Les ventilateurs sont homologués UL/cUL, norme 507. Tous les ventilateurs sont non oscillants, à l'exception des modèles 1VCF2 à 1VCF5, 13F046 et 13F047, qui balayent un arc de 45° ou 90°.

Le moteur à condensateur auxiliaire permanent est sous boîtier fermé. Les moteurs de 115 V sont fournis avec un interrupteur à chaîne et un cordon 3 fils de 3 mètres (10 pi) câblé à l'usine avec fiche moulée à broche de terre. Boîte de dérivation fournie pour le câblage des moteurs de 208 V, 277 V et triphasés. Tous les ventilateurs sont conçus pour une température ambiante maximale de 40 °C (104 °F).

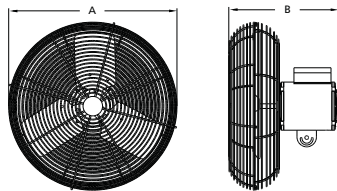


Figure 1 — Dimensions du non oscillant

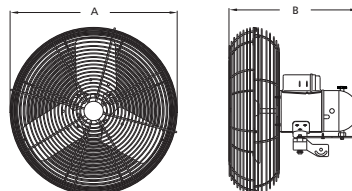


Figure 2 — Dimensions du oscillant

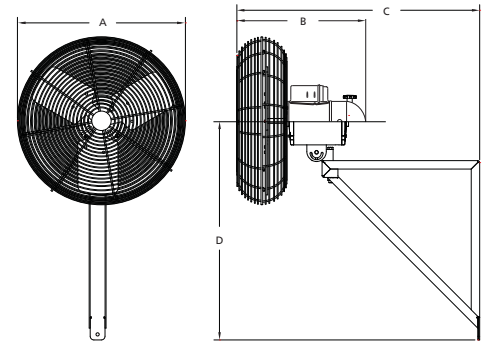


Figure 3 — Dimensions du 3PEG9

## Dimensions et caractéristiques

Modèle	Dia. pales	A	B	C	D	Tension (V)	Hz	Phases	Régulateur de vitesse	Pales	Accessoires en option
<b>NON OSCILLANTS (Voir Figure 1 et Figure 3)</b>											
13F044	40,6 cm	50,8 cm	36,2 cm	—	—	115	60	1	2	3	1ZCP2, 1ZCP4 à 1ZCP9, 3PEH3, 13F048
13F045 (*)	45,7	58,4	36,2	—	—	115	60	1	2	3	1ZCP2, 1ZCP4 à 1ZCP9, 3PEH3, 13F048
1VCE7 (*)	50,8	58,4	31,1	—	—	115	60	1	2	3	1ZCP2, 1ZCP4 à 1ZCP9, 3PEH3, 13F048
1VCE8 (*)	61,0	68,6	31,1	—	—	115	60	1	2	3	1ZCP2, 1ZCP4 à 1ZCP9, 3PEH3, 13F048
1VCE9 (*Δ)	76,2	83,8	36,2	—	—	115	60	1	2	3	1ZCP2, 1ZCP4 à 1ZCP9, 3PEH3, 13F049
3PEG9 (*Δ)	91,4	99,1	36,2	86,7	74,9	115	60	1	2	3	1ZCP9, 3PEH3, 13F049
<b>OSCILLANTS (Voir Figure 2 et Figure 3)</b>											
13F046	40,6 cm	50,8 cm	36,2 cm	—	—	115	60	1	2	3	1ZCP2, 1ZCP4 à 1ZCP9, 3PEH3, 13F048
13F047	45,7	58,4	36,2	—	—	115	60	1	2	3	1ZCP2, 1ZCP4 à 1ZCP9, 3PEH3, 13F048
1VCF2	50,8	58,4	41,3	—	—	115	60	1	2	3	1ZCP2, 1ZCP4 à 1ZCP9, 3PEH3, 13F048
1VCF3	61,0	68,6	41,3	—	—	115	60	1	2	3	1ZCP2, 1ZCP4 à 1ZCP9, 3PEH3, 13F048
1VCF4	76,2	83,8	48,3	—	—	115	60	1	2	3	1ZCP2, 1ZCP4 à 1ZCP8, 3PEH3, 13F049

(\*) Les moteurs des modèles non oscillants et 208 et 277 V sont à l'épreuve des intempéries pour une utilisation avec le nécessaire de brumisation.

(Δ) Supports de fixation forte charge fournis avec l'appareil.

## Accessoires en option

Description	N° de modèle
Socle pour sol régl. (base fermée) :	1ZCP2, 13F048, 13F049
Socle pour sol régl. (base ouverte) :	1ZCP4
Nécessaire roues de socle :	1ZCP5
Support de fixation (mur/poteau/plafond) :	1ZCP6
Support forte charge :	3PEH3
Support de fixation (suspension) :	1ZCP7
Support de fixation (poutre en I) :	1ZCP8
Nécessaire brumisation (Non oscillant et 208 et 277 V) :	1ZCP9

# Ventilateurs industriels de Dayton® - Non oscillants, oscillants, 208 et 277 V et triphasés

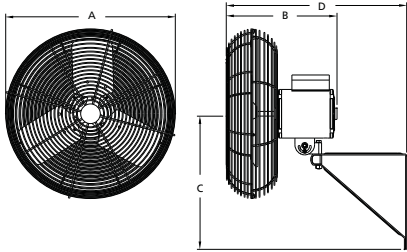


Figure 4 — Dimensions du 208 et du 277 V

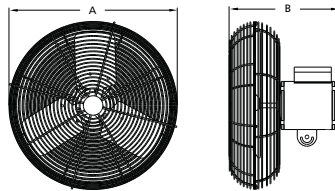


Figure 5 — Dimensions du triphasé

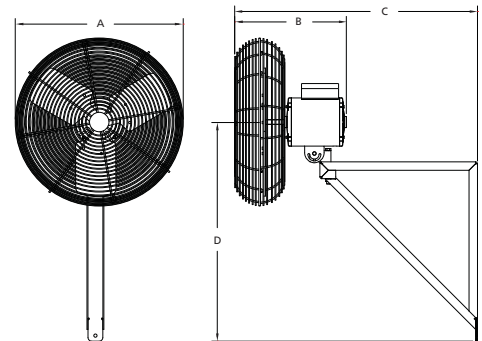


Figure 6 — Dimensions du 3PEH2

## Dimensions et caractéristiques (suite)

Modèle	Dia. pales	A	B	C	D	Tension (V)	Hz	Phases	Régulateur de vitesse	Pales	Accessoires en option
<b>208 ET 277 V (Voir Figure 4)</b>											
1VCG3 (*†)	60,1 cm	68,6 cm	35,2 cm	44,5 cm	59,5 cm	208	60	1	1	3	1ZCP2, 1ZCP4 à 1ZCP9, 3PEH3, 13F048
1VCG4 (*†)	60,1	68,6	35,2	44,5	59,5	277	60	1	1	3	1ZCP2, 1ZCP4 à 1ZCP9, 3PEH3, 13F048
1VCG5 (*†)	76,2	83,8	40,6	44,5	64,6	208	60	1	1	3	1ZCP2, 1ZCP4 à 1ZCP9, 3PEH3, 13F049
1VCG6 (*†)	76,2	83,8	40,6	44,5	64,6	277	60	1	1	3	1ZCP2, 1ZCP4 à 1ZCP9, 3PEH3, 13F049
<b>TRIPHASÉ (Voir Figure 5 et Figure 6)</b>											
1VCG7	60,1 cm	68,6 cm	35,2 cm	—	—	208-230/460	60	3	1	3	1ZCP2, 1ZCP4 à 1ZCP8, 3PEH3, 13F048
1VCG8	76,2	83,8	40,6	—	—	208-230/460	60	3	1	3	1ZCP2, 1ZCP4 à 1ZCP8, 3PEH3, 13F049
3PEH2 (Δ)	91,4	99,1	40,6	86,7	74,9	208-230/460	60	3	1	3	3PEH3, 13F049

(\*†) Les moteurs des modèles non oscillants et 208 et 277 V sont à l'épreuve des intempéries pour une utilisation avec le nécessaire de brumisation.

(†) Le dispositif de fixation pour mur/poteau/plafond est fourni avec cet appareil.

(Δ) Supports de fixation forte charge fournis avec l'appareil.

## Performances

Modèle	Dia. pales	Motor RPM	HP	CFM		Vitesse air à @ 20 pi. (pi/min)	Sones à 0,000 SP	Intensité d'exploitation (A)	Intensité pleine charge (A)
				Rapide	Lent				
<b>NON OSCILLANTS</b>									
13F044	40,6 cm	1625/1250	1/8	2000	1560	210/160	25	1,1/0,85	1,1
13F045	45,7	1075/750	1/4	4500	2900	360/310	26	1,7/1,6	1,9
1VCE7	50,8	1075/750	1/4	4700	3055	580/375	28	0,94/0,66	1,9
1VCE8	61,0	1075/750	1/3	6100	3800	570/465	24	3,38/2,29	4,2
1VCE9	76,2	1075/750	1/2	9704	8712	750/700	32	3,70/3,12	5,0
3PEG9	91,4	1075/750	1/2	12 500	8000	1000/930	43	3,75/3,54	5,0
<b>OSCILLANTS</b>									
13F044	40,6 cm	1075/750	1/4	2000	1320	210/140	24	1,5/1,9	3,5
13F045	45,7	1075/750	1/4	4500	2900	360/310	26	1,7/1,6	3,5
1VCF2	50,8	1075/750	1/4	4700	3055	580/375	28	2,25/0,51	3,5
1VCF3	61,0	1075/750	1/2	6400	4460	410/325	24	4,65/3,31	5,9
1VCF4	76,2	1075/750	1/2	9612	8674	710/650	32	4,06/2,61	5,9

# Modèles 1VCE7 à 1VCE9, 1VCF2 à 1VCF4, 1VCG3 à 1VCG8, 3PEG9, 3PEH1 et 3PEH2, 13F044 à 13F047

## Performances (suite)

Modèle	Dia. pales	Moteur tr/min	HP	CFM		Vitesse air à 20 pi. (pi/min)	Sones à 0,000 SP	Intensité d'exploitation (A)	Intensité pleine charge (A)
				Rapide	Lent				
<b>208 ET 277 V</b>									
1VCG3	61,0 cm	1075	1/2	6000	—	445	24	2,36	2,3
1VCG4	61,0	1075	1/2	6000	—	445	24	1,78	3,2
1VCG5	76,2	1075	1/2	9360	—	750	29	1,9	2,3
1VCG6	76,2	1075	1/2	9340	—	750	29	1,4	3,2
<b>TRIPHASÉ</b>									
1VCG7	61,0 cm	1075	1/2	5750	—	585	24	2,48-2,48/1,24	2,2-2,2/1,1
1VCG8	76,2	1075	1/2	9327	—	750	29	2,21-2,21/1,1	2,2-2,2/1,1
3PEH2	91,4	1075	1/2	12 500	—	1000	43	1,49-1,49/0,75	2,2-2,2/1,1

## Déballage

- Vérifier l'absence de tout dommage éventuellement causé par le transport.
- Les réclamations pour dommages dus au transport sont à adresser au transporteur.
- Vérifier que les boulons, vis, vis de calage, etc. ne se sont pas desserrés durant le transport. Resserrer le cas échéant.

## Informations générales sur la sécurité

**⚠ AVERTISSEMENT** *Pour réduire le risque d'incendie, de choc électrique ou de blessure corporelle, respecter ce qui suit :*

- Utiliser cet appareil exclusivement comme prévu par le fabricant. En cas de questions, communiquer avec le fabricant.
- Avant tout entretien ou nettoyage de l'appareil, couper l'alimentation sur le tableau de commande et verrouiller le dispositif de sectionnement pour empêcher toute mise sous tension accidentelle. Si le dispositif de sectionnement ne peut pas être verrouillé, attacher un moyen de mise en garde bien visible, tel qu'un panneau, au tableau de commande.

**⚠ AVERTISSEMENT** *Ne pas dépendre d'un interrupteur pour couper l'alimentation. Toujours débrancher le cordon d'alimentation ou*

*couper et verrouiller les moyens de sectionnement comme décrit.*

**⚠ AVERTISSEMENT** *Pour réduire le risque d'incendie, de choc électrique ou de blessure corporelle, respecter ce qui suit :*

- La pose et le câblage électrique doivent être effectués par des personnes qualifiées en conformité avec les codes et normes en vigueur, y compris pour la résistance au feu du bâtiment.
- Lors de la découpe ou du perçage de murs ou plafonds, ne pas endommager les câbles électriques et autres conduites masquées.

**⚠ DANGER** *Ne pas placer de parties du corps ni d'objets dans les ouvertures du ventilateur ou du moteur si l'appareil est raccordé à une source de courant.*

**⚠ AVERTISSEMENT** *Pour réduire le risque d'incendie ou de choc électrique, ne pas utiliser ce ventilateur avec un quelconque dispositif de régulation de vitesse à semi-conducteurs. Ne pas utiliser un adaptateur de trois broches à deux broches sur le cordon d'alimentation.*

**⚠ AVERTISSEMENT** *Pour réduire le risque de choc électrique, ne pas exposer à l'eau ou à la pluie.*

- Lire et respecter toutes les instructions et marques de mise en garde et s'assurer que la source d'alimentation est conforme aux exigences pour le matériel.

- Respecter tous les codes d'électricité et de sécurité en vigueur, ainsi que le National Electrical Code (NEC) et l'Occupational Safety and Health Act (OSHA) aux États-Unis, y compris pour la résistance au feu du bâtiment. Mettre le moteur à la terre conformément à l'Article 250 (mise à la terre) du NEC.
- Éviter d'utiliser des cordons de rallonge. Si c'est le cas, s'assurer que la rallonge est homologuée UL et de type, de section et de longueur appropriés. Ne jamais alimenter plus d'un ventilateur depuis un même cordon de rallonge.
- Ne pas plier le cordon d'alimentation ni le placer au contact d'huile, de graisse, de surfaces chaudes, d'objets coupants ou de produits chimiques. Changer immédiatement tout cordon usé ou endommagé.

**⚠ AVERTISSEMENT** *Ne pas utiliser de ventilateur d'usage général dans des atmosphères inflammables, explosives, chargées en vapeurs chimiques, humides ou pluvieuses. Utiliser des ventilateurs spéciaux conçus pour l'application considérée. Ne pas fixer de conduits à un ventilateur.*

- Dans les applications critiques, utiliser une alarme adaptée (contacteur d'air, sonde de température, etc.) en cas de mauvais fonctionnement du ventilateur.

# Ventilateurs industriels de Dayton® - Non oscillants, oscillants, 208 et 277 V et triphasés

## Pose

**⚠ AVERTISSEMENT** *La pose et le dépannage doivent impérativement être confiés à des personnes qualifiées.*

1. Tous les ventilateurs 115 V monophasés sont fournis avec un cordon 3 fils câblé à l'usine avec fiche moulée à broche de terre.
2. En l'absence de fiche, raccorder l'alimentation conformément au NEC et tous les codes locaux. Voir les schémas de câblage à la Figure 7.

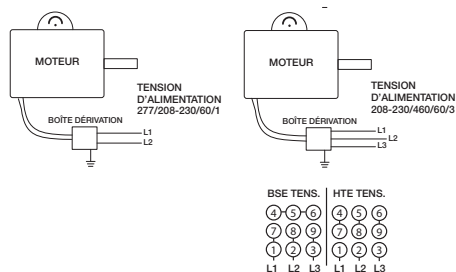


Figure 7 — Schéma de câblage typique

3. Pour poser le ventilateur, se reporter aux instructions fournies avec l'accessoire Dayton correspondant.

**REMARQUE :** Seuls les modèles 1VCG3 à 1VCG6, 3PEG9, 3PEH1 et 3PEH2 sont livrés avec un accessoire de fixation. Pour tous les autres modèles, un accessoire de fixation Dayton doit être acheté séparément.

**⚠ ATTENTION** *Pour réduire le risque de blessure, utiliser exclusivement avec des accessoires Dayton recommandés dans le mode d'emploi.*

**⚠ AVERTISSEMENT** *Utiliser exclusivement des prises de type GFCI.*

**⚠ AVERTISSEMENT** *Non destiné pour une utilisation à l'extérieur.*

## Fonctionnement

1. Le moteur 115 V à 2 vitesses se commande en tirant la chaîne : Off-Low-Off-High (Arrêt-Lent-Arrêt-Rapide).
2. Pour faire osciller le ventilateur, serrer le bouton de réglage au sommet du moteur à fond dans le sens des aiguilles d'une montre. Le balayage se règle par la fixation du bras d'excentrique : balayage 90°, attacher au trou fileté extérieur ; balayage 45°, attacher au trou fileté intérieur.

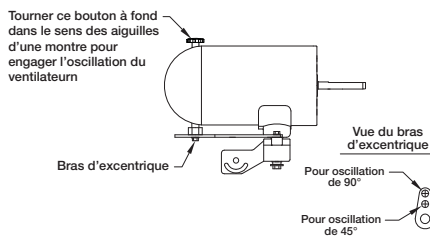


Figure 8 — Mode oscillant

3. Éviter toute obstruction de la tête de ventilateur.

## Entretien

**⚠ AVERTISSEMENT** *Pour réduire le risque de blessure corporelle, débrancher l'alimentation électrique avant l'entretien. Toujours débrancher le cordon d'alimentation.*

1. Avec un chiffon sec, nettoyer régulièrement les pales, la grille et le moteur en cas d'accumulation excessive de poussières et saletés. Laisser au moteur le temps pour refroidir car il peut être assez chaud pour causer des lésions.
2. Suivre les instructions du fabricant du moteur concernant sa lubrification.
3. Vérifier l'absence de bruits inhabituels durant la marche du ventilateur.
4. Contrôler régulièrement et resserrer tous les boulons.

**IMPORTANT :** Pour les réparations, utiliser exclusivement des pièces de rechange agréées par Dayton.

**⚠ AVERTISSEMENT** *Pour écarter les risques, tout cordon électrique endommagé doit être remplacé par un réparateur qualifié.*



# Pour les pièces de rechange, appeler le 1-800-323-0620

24 h/24 – 365 jours par an

Veillez fournir les renseignements suivants :

- Numéro de modèle
- Numéro de série (le cas échéant)
- Description et numéro de pièce indiqués sur la nomenclature des pièces

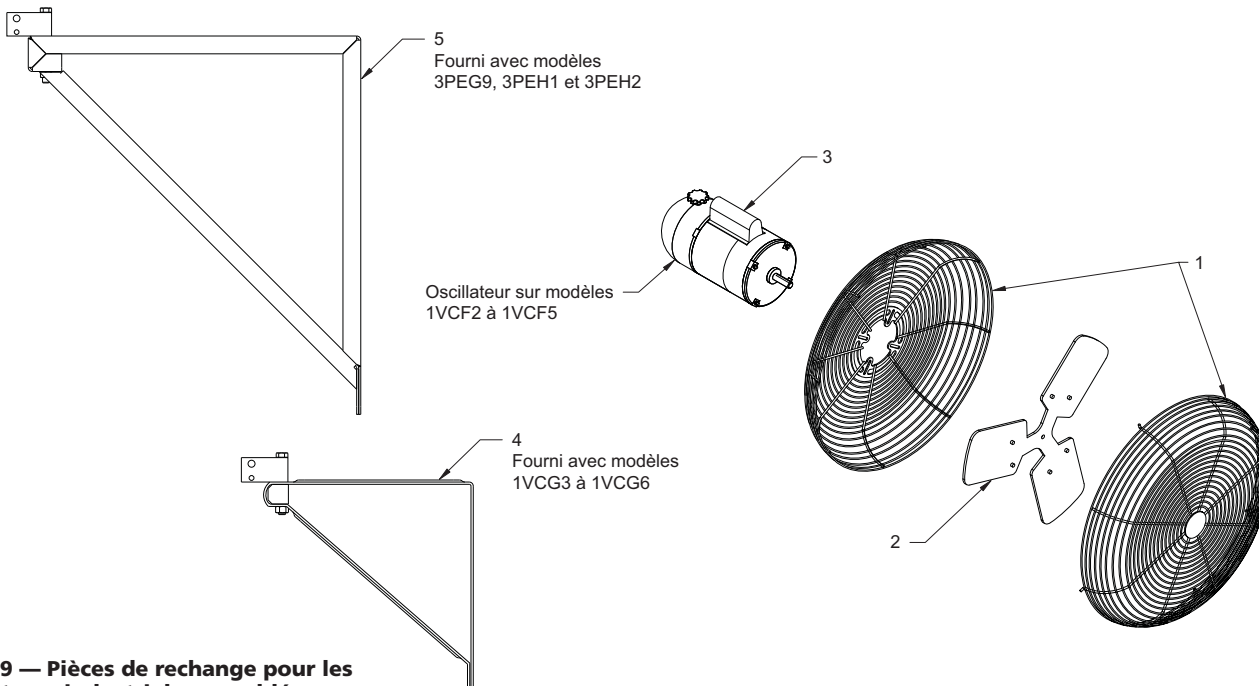


Figure 9 — Pièces de rechange pour les ventilateurs industriels assemblés

## Nomenclature des pièces de rechange pour les ventilateurs industriels assemblés (voir Figure 9)

Numéro de référence	Description	Numéro de pièce pour le modèle :										Qté
		1VCE7	1VCE8	1VCE9	1VCF2	1VCF3	1VCF4	1VCG3	1VCG4	1VCG5	1VCG6	
1	Grille complète	2ATB8	2ATB9	2ATC1	2ATB8	2ATB9	2ATC1	2ATB9	2ATB9	2ATC1	2ATC1	1
2	Hélice	2ATV7	2ATW2	2KWJ4	2ATV7	2ATW2	2KWJ4	2ATW2	2ATW2	2KWJ4	2KWJ4	1
3	Moteur	2ATC3	2ATC4	2ATW3	2ATX1	2ATX2	2ATX2	2ATW7	2ATW8	2ATW7	2ATW8	1
(*)	Interrupteur à chaîne	60L937	60L937	60L937	60L937	60L937	60L937	—	—	—	—	1
(*)	(Δ) Trousse de visserie oscillateur	—	—	—	60L499	60L499	60L499	—	—	—	—	1
(*)	Transmission de moteur d'oscillateur	—	—	—	60L500	60L500	60L500	—	—	—	—	1
(*)	(‡) Visserie d'assemblage	Visserie standard (disponible localement)										
4	Support forte charge	—	—	—	—	—	—	1ZCP6	1ZCP6	1ZCP6	1ZCP6	1
(*)	(†) Trousse visserie de fixation arceau	50H352	50H352	50H352	50H564	50H564	50H564	50H352	50H352	50H352	50H352	1

Numéro de référence	Description	Numéro de pièce pour le modèle :								Qté	
		1VCG7	1VCG8	3PEG9	3PEH1	3PEH2	13F044	13F045	13F046		13F047
1	Grille complète	2ATB9	2ATC1	2ATC2	2ATC2	2ATC2	2ATB6	2ATB7	2ATB6	2ATB7	1
2	Hélice	2ATW2	2KWJ4	2ATB5	2ATB5	2ATB5	52A110	51N721	52J330	51N721	1
3	Moteur	2ATW9	2ATW9	2ATW3	2ATX2	2ATW9	52A106	2ATC3	2ATX1	2ATX1	1
(*)	Interrupteur à chaîne	—	—	60L937	60L937	—	60L937	60L937	60L937	60L937	1
(*)	(Δ) Trousse de visserie oscillateur	—	—	—	60L499	—	—	—	60L499	60L499	1
(*)	Transmission de moteur d'oscillateur	—	—	—	60L500	—	—	—	60L500	60L500	1
(*)	(‡) Visserie d'assemblage	Visserie standard (disponible localement)									
5	Support forte charge	—	—	3PEH3	3PEH3	3PEH3	—	—	—	—	1
(*)	(†) Trousse visserie de fixation arceau	50H352	50H352	50H352	50H564	50H352	50H352	50H352	50H564	50H564	1

(\*) Non représenté.

(Δ) La trousse de visserie d'oscillateur comprend deux (2) boulons 1/4-20, deux (2) rondelles élastiques 1/4, deux (2) douilles, une (1) rondelle plate 1/4, un (1) bras tournant, une (1) goupille fendue et une (1) bielle.

(‡) Visserie d'assemblage pour fixer la grille arrière au moteur et l'hélice à l'arbre de moteur. Comprend une (1) vis de calage à tête carrée 5/16-24 x 1/2 et quatre (4) écrous-freins 10-32.

(†) La trousse de visserie de fixation d'arceau sert à attacher le ventilateur sur l'accessoire de fixation en option. Comprend une (1) vis à tête hexagonale 3/8-16 x 1, une (1) vis à tête hexagonale 1/4-20 x 1, une (1) rondelle plate 3/8, une (1) rondelle plate 5/16, un (1) écrou-frein 3/8-16 et un (1) écrou-frein 1/4-20.

# Ventilateurs industriels de Dayton® - Non oscillants, oscillants, 208 et 277 V et triphasés

## Dépannage

Symptôme	Cause(s) possible(s)	Action corrective
Le ventilateur ne fonctionne pas	1. Fusible grillé ou disjoncteur ouvert 2. Moteur ou interrupteur défectueux	1. Changer ou réparer 2. Changer ou réparer
Le ventilateur s'allume et s'éteint	1. Protection thermique  2. Câblage ou interrupteur de commande défectueux	1. Voir si l'écoulement d'air est obstrué, la tension trop haute ou basse ou la température d'arrivée d'air supérieure à 40 °C (104 °F) 2. Changer ou réparer
L'appareil n'oscille (balaye) pas	1. Bras de liaison non attaché 2. Engrenage défectueux	1. Serrer 2. Changer le moteur
Bruit excessif durant la marche	1. Hélice desserrée ou endommagée 2. Moteur mal fixé	1. Serrer ou changer 2. Serrer les écrous du moteur
Circulation d'air insuffisante	1. Grille très sale	1. Nettoyer les grilles

## GARANTIE LIMITÉE

**GARANTIE LIMITEE DE UN AN DE DAYTON.** LES MODÈLES VENTILATEURS INDUSTRIELS DAYTON® - NON OSCILLANTS, OSCILLANTS, 208 ET 277 V ET TRIPHASÉS COUVERTS DANS CE MANUEL SONT GARANTIS À L'UTILISATEUR D'ORIGINE PAR DAYTON ELECTRIC MFG. CO. (DAYTON), CONTRE TOUT DÉFAUT DE FABRICATION OU DE MATÉRIAUX, LORS D'UNE UTILISATION NORMALE, ET CELA PENDANT UN AN APRÈS LA DATE D'ACHAT. TOUTE PIÈCE, DONT LES MATÉRIAUX OU LA MAIN D'ŒUVRE SERONT JUGÉS DÉFECTUEUX, ET QUI SERA RENVOYÉE PORT PAYÉ, À UN CENTRE DE RÉPARATION AUTORISÉ PAR DAYTON, SERA, À TITRE DE SOLUTION EXCLUSIVE, SOIT RÉPARÉE, SOIT REMPLACÉE PAR DAYTON. POUR LE PROCÉDÉ DE RÉCLAMATION SOUS GARANTIE LIMITEE, REPORTEZ-VOUS À LA CLAUSE DE « DISPOSITION PROMPTE » CI-DESSOUS. CETTE GARANTIE LIMITEE DONNE AUX ACHETEURS DES DROITS LÉGAUX SPÉCIFIQUES QUI VARIENT DE JURIDICTION À JURIDICTION.

**LIMITES DE RESPONSABILITÉ.** LA RESPONSABILITÉ DE DAYTON, DANS LES LIMITES PERMISES PAR LA LOI, POUR LES DOMMAGES INDIRECTS OU FORTUITS EST EXPRESSEMENT DÉNIÉE. DANS TOUS LES CAS LA RESPONSABILITÉ DE DAYTON EST LIMITÉE ET NE DÉPASSERA PAS LA VALEUR DU PRIX D'ACHAT PAYÉ.

**DÉSISTEMENT DE GARANTIE.** DE DILIGENTS EFFORTS SONT FAITS POUR FOURNIR AVEC PRÉCISION LES INFORMATIONS ET ILLUSTRATIONS DES PRODUITS DÉCRITS DANS CETTE BROCHURE ; CEPENDANT, DE TELLES INFORMATIONS ET ILLUSTRATIONS SONT POUR LA SEULE RAISON D'IDENTIFICATION, ET N'EXPRIMENT NI N'IMPLIQUENT QUE LES PRODUITS SONT COMMERCIALISABLES, OU ADAPTABLES À UN BESOIN PARTICULIER, NI QUE CES PRODUITS SONT NÉCESSAIREMENT CONFORMES AUX ILLUSTRATIONS OU DESCRIPTIONS. SAUF POUR CE QUI SUIV, AUCUNE GARANTIE OU AFFIRMATION DE FAIT, ÉNONCÉE OU IMPLICITE, AUTRE QUE CE QUI EST ÉNONCÉ DANS LA « GARANTIE LIMITEE » CI-DESSUS N'EST FAITE OU AUTORISÉE PAR DAYTON.

**Désistement sur les conseils techniques et les recommandations.** Peu importe les pratiques ou négociations antérieures ou les usages commerciaux, les ventes n'incluent pas l'offre de conseils techniques ou d'assistance ou encore de conception de système. Dayton n'a aucune obligation ou responsabilité quant aux recommandations non autorisées, aux opinions et aux suggestions relatives au choix, à l'installation ou à l'utilisation des produits.

**Conformité du produit.** De nombreuses juridictions ont des codes et règlements qui gouvernent les ventes, constructions, installations et/ou utilisations de produits pour certains usages qui peuvent varier par rapport à ceux d'une zone voisine. Bien que Dayton essaie de s'assurer que ses produits s'accordent avec ces codes, Dayton ne peut garantir cet accord, et ne peut être jugée responsable pour la façon dont le produit est installé ou utilisé. Avant l'achat et l'usage d'un produit, revoir les applications de ce produit, ainsi que tous les codes et règlements nationaux et locaux applicables, et s'assurer que le produit, son installation et son usage sont en accord avec eux.

Certains aspects de désistement ne sont pas applicables aux produits pour consommateur ; ex : (a) certaines juridictions ne permettent pas l'exclusion ou la limitation des dommages indirects ou fortuits et donc la limitation ou exclusion ci-dessus peut ne pas s'appliquer dans le cas présent ; (b) également, certaines juridictions n'autorisent pas de limitations de durée de la garantie implicite, en conséquence, la limitation ci-dessus peut ne pas s'appliquer dans le cas présent ; et (c) par force de loi, pendant la période de cette Garantie Limitée, toutes garanties impliquées de commerciabilité ou d'adaptabilité à un besoin particulier applicables aux produits de consommateurs achetés par des consommateurs, peuvent ne pas être exclues ni autrement désistées.

**Disposition prompt.** Un effort de bonne foi sera fait pour corriger ou ajuster rapidement tout produit prouvé défectueux pendant la période de la garantie limitée. Pour tout produit considéré défectueux pendant la période de garantie limitée, contacter tout d'abord le concessionnaire où l'appareil a été acheté. Le concessionnaire doit donner des instructions supplémentaires. S'il est impossible de résoudre le problème de façon satisfaisante, écrire à Dayton à l'adresse ci-dessous, en indiquant le nom et l'adresse du concessionnaire, la date et le numéro de la facture du concessionnaire, et en décrivant la nature du défaut. Le titre et le risque de perte passent à l'acheteur au moment de la livraison par le transporteur. Si le produit a été endommagé pendant le transport, une réclamation doit être faite auprès du transporteur.

Fabriqué pour Dayton Electric Mfg. Co. 100 Grainger Parkway, Lake Forest, IL 60045-5201 États-Unis



