



# Haws®

# model 7778B

## AXION MSR™ Corrosion Resistant Wall Mount Eye/Face Wash

### FEATURES & BENEFITS

#### QUALITY CONTROL

Eye/face wash and valve assembly is pre-built and fully water/pressure tested to ensure no leaks and proper function which ultimately reduces installation time and gives the end contractor an added peace of mind. Unit also ships with pre-assembled 16 gauge Type 304 Stainless Steel wall bracket to assist with the installation process.

#### VALVES

Type 316 Stainless Steel ball valve is designed to make the flushing of fluid occur with the simple push of a stainless steel flag, and is equipped with a stainless steel ball and stem to provide a superior protection against corrosion and breakage.

#### STRAINERS/FILTERS

Type 304 Stainless Steel in-line 50 x 50 mesh water strainer supplies added protection against corrosion and prevents debris from reaching the eye/face wash so the 8330 stays functioning at its best. Strainer is easily serviceable. Stainless steel dust cover protects eye/face wash head as well as bowl up until the last second before use further optimizing operation.

#### SAFETY

8" x 10-3/4" (20.3 x 27.3 cm) universal emergency sign make the unit easily detected in an emergency. Test card to record weekly checks helps maintain the unit's best working quality.

#### EYE/FACE WASH

AXION MSR-™ eye/face wash head (patent pending) uses an inverted directional laminar flow to sweep contaminants away from the vulnerable nasal cavity.



### SPECIFICATIONS

Model 7778B wall-mounted eye/face wash shall include a stainless steel 11" (27.9 cm) round bowl, an AXION MSR™ eye/face wash head with inverted directional laminar flow which achieves zero vertical velocity supplied by an integral flow control, and stainless steel ball valve equipped with stainless steel ball and stem. Unit shall also include stainless steel wall bracket, stainless steel dust cover, universal sign, 1/2" IPS inlet, and 1-1/4" IPS waste.

### APPLICATIONS

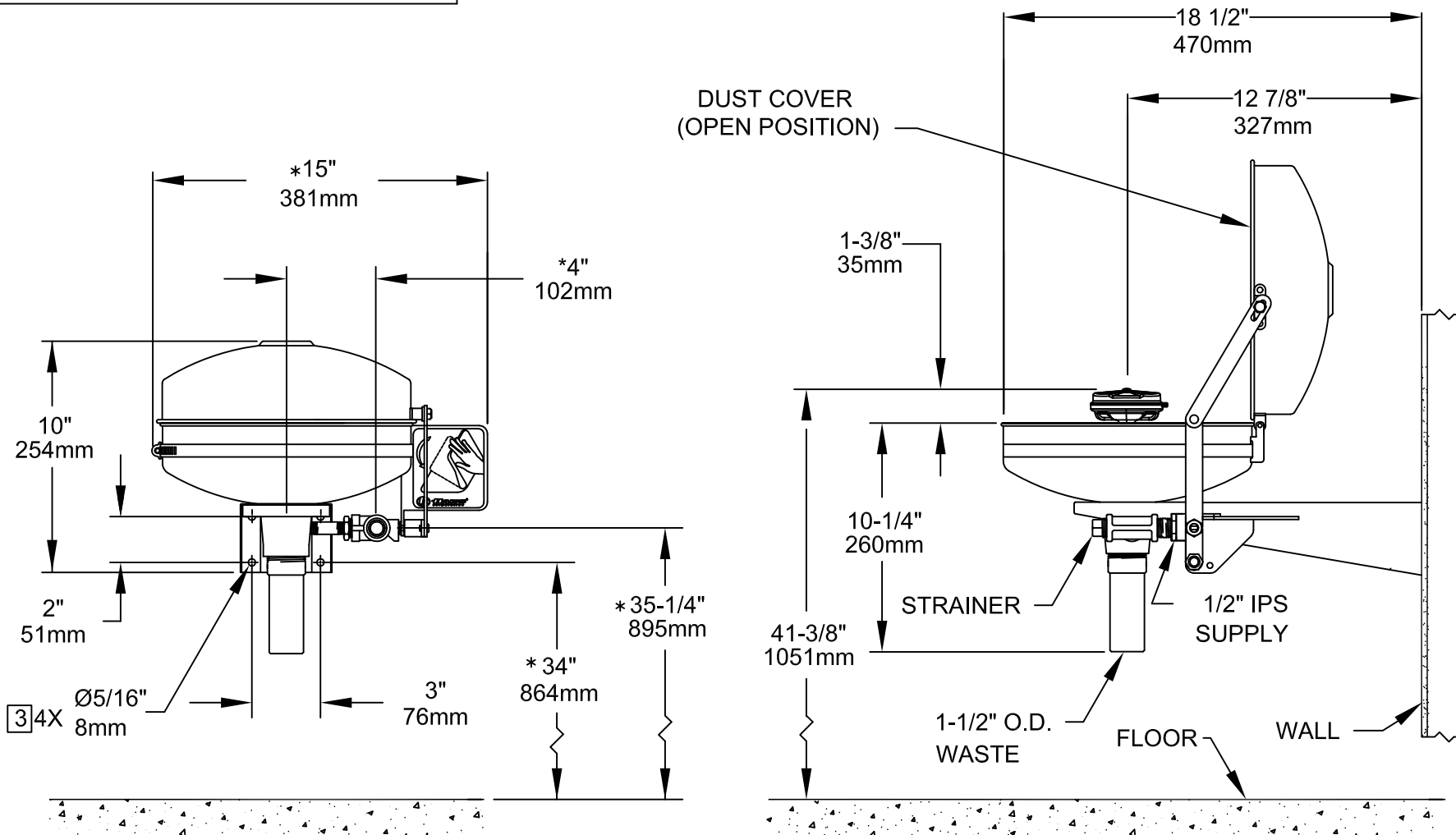
In an environment where materials need to withstand the greatest corrosion, where eyes and face of any person may be exposed to these injurious or corrosive materials, suitable facilities for quick drenching or flushing of the eyes and face shall be provided within the work area for immediate emergency use. Emergency eye/face wash facilities shall be in unobstructed and accessible locations that require no more than 10 seconds for the injured person to reach. Model 7778B is certified by CSA to meet the ANSI Z358.1 Standard for Emergency Eyewash and Shower Equipment.

### OPTIONS

- ❑ Test Tag: SP170 is a green waterproof test card with space for date and initials of inspector. Used to record weekly testing of emergency equipment.
- ❑ Thermostatic Mixing Valve: Model 9201EFE AXION® Emergency Tempering Valve thermostatically mixes hot and cold water to provide a safe fluid supply for a single emergency eye/face wash, with a flow rate of 12 gpm (38.8 L).
- ❑ Thermostatic Mixing Valve: Model 9201EW AXION® Emergency Tempering Valve thermostatically mixes hot and cold water to provide a safe fluid supply for a single emergency eye/face wash, with a flow rate of 10 gpm (38.8 L).
- ❑ Thermostatic Mixing Valve: Model TWBS.EWE Lead-free AXION® Emergency Tempering Valve thermostatically mixes hot and cold water to provide a safe fluid supply for emergency eyewash equipment, with a flow rate of 12 gpm (45.4 L).

To see all options for this model, visit [www.hawsc.com](http://www.hawsc.com)





NOTES:

- TO COMPLY WITH ANSI Z358.1-2009 FOR EMERGENCY EYEWASH OR EYE/FACE WASH AND SHOWER EQUIPMENT:
  - UNIT SHALL BE INSTALLED IN ACCORDANCE WITH MANUFACTURER'S INSTRUCTIONS AND ACCEPTABLE PLUMBING PRACTICES.
  - EYEWASH OR EYE/FACE WASH SHALL BE POSITIONED WITH NOZZLES NOT LESS THEN 83.8 CM (33 IN.) AND NO GREATER THAN 114.3 CM (45 IN.) FROM SURFACE ON WHICH USER STANDS AND 15.3 CM (6 IN.) MINIMUM FROM WALL OR NEAREST OBSTRUCTION.
- DIMENSIONS MAY VARY ±1/2" [12.7mm].
- 3X MOUNTING HARDWARE SUPPLIED BY OTHERS.

		1455 KLEPPE LANE SPARKS, NEVADA 89431 (775) 359-4712 FAX (775) 359-7424 E-MAIL: HAWS@HAWS.CO.COM WEBSITE: WWW.HAWS.CO.COM	
		ECN NO. REVISED PER BY: ECN: 4639 IR	MODEL(S) 7778B
DRAWN: C.J.L.	DATE: 09/91	CHK'D:	DRAWING NO.: 09406A00
APPROVED:	DATE:	SCALE: 1/7	DRAWING TYPE: INSTALLATION
		SIZE: A	SHEET: 1 OF 1