



Haws®

AXION MSR™ Freeze Protected Shower and Eye/Face Wash

model 8317CTFP

FEATURES & BENEFITS

CONSTRUCTION

1-1/4" Schedule 40 Stainless Steel pipe stanchion along with powder-coated cast-iron 9" (22.9 cm) diameter floor flange provide an unsurpassed durability in a long lasting product.

CONSTRUCTION

3/4" (1.9 cm) insulation and ABS plastic jacket prevent freezing down to temperature levels as low as -30° F (-34.4° C) to maintain optimal functioning conditions.

QUALITY CONTROL

Entire unit is pre-built and pressure tested to ensure a leak free installation.

VALVES

Automatic thermal actuator bleed valve opens when internal water temperature drops below 35° F (1.7° C) and will not close until temperature reaches 42° F (5.6° C) so the unit is protected against freezing. Brass eye/face wash and shower ball valves are equipped with stainless steel ball and stem.

TEMPERATURE CONTROL

120V thermostatically controlled heat traced cable provides the energy needed to keep the combination shower and eye/face wash at an optimal temperature.

SHOWER HEAD

AXION MSR™ ABS plastic drench showerhead uses a hydrodynamic design to give equal distribution of water throughout the entire footprint of flow.

EYE/FACE WASH

AXION MSR™ eye/face wash head (patent pending) uses an inverted directional laminar flow to sweep contaminants away from the vulnerable nasal cavity.



SPECIFICATIONS

Model 8317CTFP freeze protected 120 VAC cable heated combination shower and eye/face wash shall include the AXION MSR™ hydrodynamic designed green ABS plastic 10-5/8" (26.9 cm) showerhead with integral self-regulating flow control, an AXION MSR eye/face wash head shall feature inverted directional laminar flow which achieves zero vertical velocity supplied by an integral flow control, chrome-plated brass shower and eyewash ball valves equipped with stainless steel ball and stem, separate ball valve activated hose spray, and automatic thermal actuator freeze protection bleed valve. Unit shall also include thermostatically controlled electric heat traced cable protected by 3/4" (1.9 cm) insulation and an ABS plastic green jacket that prevents freezing down to ambient temperatures of -30° F, powder-coated cast-iron 9" (22.9 cm) diameter floor flange, universal sign, 1-1/4" IPS supply, and rated Class 1, Div 2, Group B, C & D. (Class I, DIV I is available as a special option)

OPTIONS

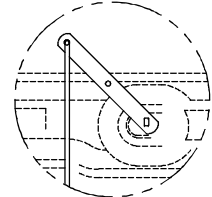
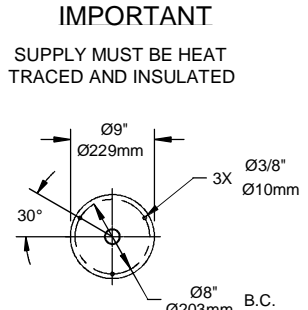
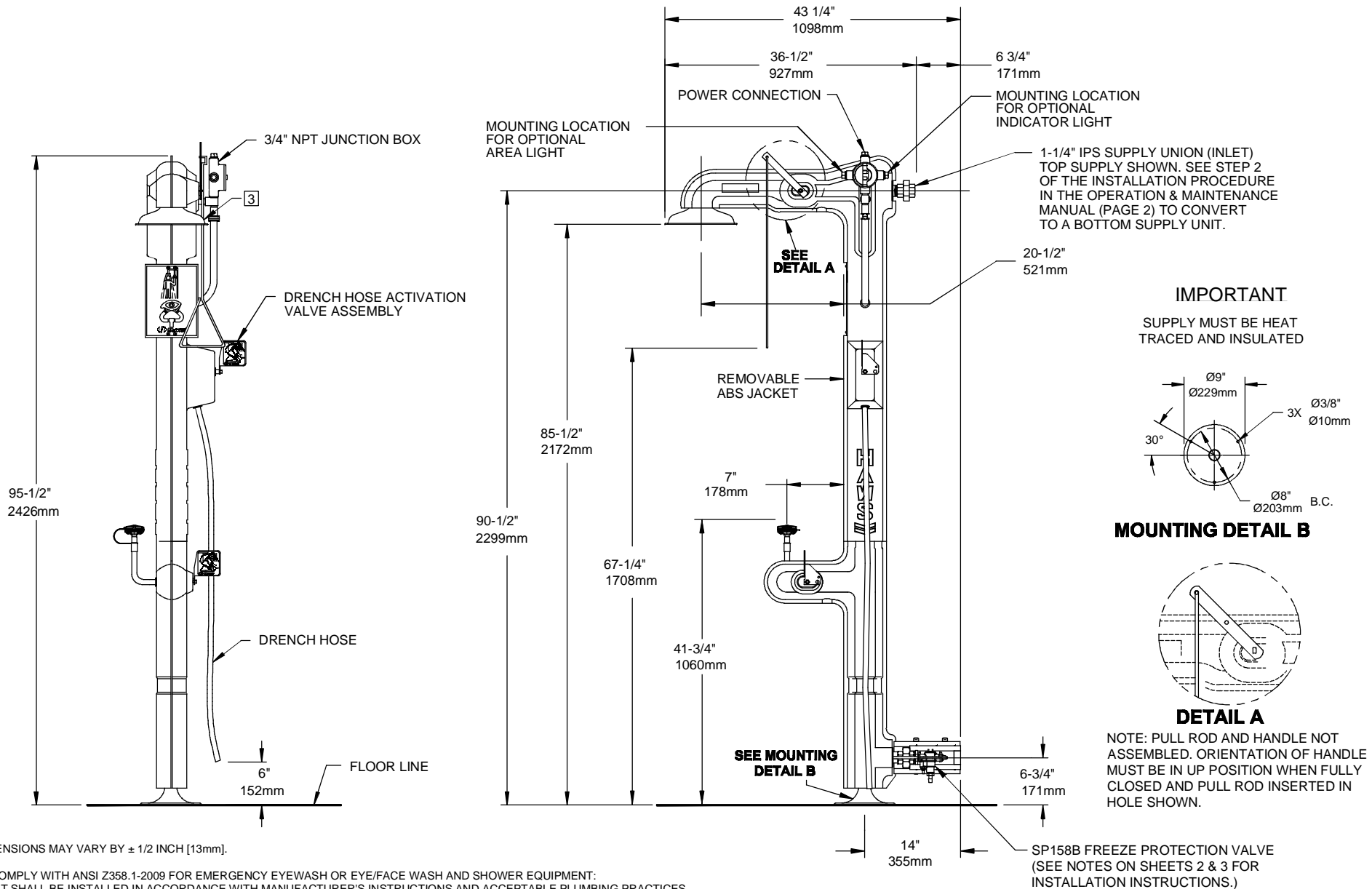
- ❑ Test Tag: SP170 is a green waterproof test card with space for date and initials of inspector. Used to record weekly testing of emergency equipment.
- ❑ Large Shower/Eyewash Sign: Model SP178LG large vertical universal combination emergency shower and eyewash sign. Size: 18" x 24" (45.7 x 61 cm).
- ❑ AXION MSR™ Showerhead: Model SP829SS, AXION MSR™ stainless steel drench showerhead with integral 20 gpm (75.7 L) flow control.
- ❑ Thermostatic Mixing Valve: Model 9201E AXION® Emergency Tempering Valve thermostatically mixes hot and cold water to provide a safe fluid supply for emergency showers and eyewash equipment, with a flow rate of 31 gpm (117.3 L).

To see all options for this model, visit www.hawsc.com

APPLICATIONS

Where the eyes, face, or body of any person may be exposed to injurious or corrosive materials, suitable facilities for quick drenching or flushing of the eyes, face, and body shall be provided within the work area for immediate emergency use. Unit is ideal for areas where temperature may fluctuate down to freezing levels as low as -30° F (-34.44° C) Emergency eye/face wash facilities and deluge showers shall be in unobstructed and accessible locations that require no more than 10 seconds for the injured person to reach. Model 8317CTFP is certified by CSA to meet the ANSI Z358.1 Standard for Emergency Eyewash and Shower Equipment. Model is CSA electrical certified, TYPE 4. (Nema 4 equivalent)





NOTES:

1. DIMENSIONS MAY VARY BY ± 1/2 INCH [13mm].
2. TO COMPLY WITH ANSI Z358.1-2009 FOR EMERGENCY EYEWASH OR EYE/FACE WASH AND SHOWER EQUIPMENT:
 - UNIT SHALL BE INSTALLED IN ACCORDANCE WITH MANUFACTURER'S INSTRUCTIONS AND ACCEPTABLE PLUMBING PRACTICES.
 - EYEWASH OR EYE/FACE WASH SHALL BE POSITIONED WITH NOZZLES NOT LESS THEN 83.8 CM (33 IN.) AND NO GREATER THAN 114.3 CM (45 IN.) FROM SURFACE ON WHICH USER STANDS AND 15.3 CM (6 IN.) MINIMUM FROM WALL OR NEAREST OBSTRUCTION.
 - SHOWER SHALL BE POSITIONED SO THAT SHOWER HEAD IS NOT LESS THAN 208.3 CM (82 IN.) NOR MORE THAN 243.8 CM (96 IN.) FROM SURFACE ON WHICH USER STANDS.
 - SHOWER SPRAY PATTERN SHALL HAVE A MINIMUM DIAMETER OF 50.8 CM (20 IN.) AT 152.4 CM (60 IN.) ABOVE SURFACE ON WHICH USER STANDS, AND CENTER OF SPRAY PATTERN SHALL BE LOCATED AT LEAST 40.6 CM (16 IN.) FROM ANY OBSTRUCTION.

3. DO NOT USE REGULAR PIPE SEALANT. IF NECESSARY USE DOW CORNING 832 SEALANT PLACING 5 SMALL BEADS ON THE MALE THREADS, JUST ABOVE THE FIRST THREAD.

(NOTES CONTINUED ON SHEET 2 OF 4.)

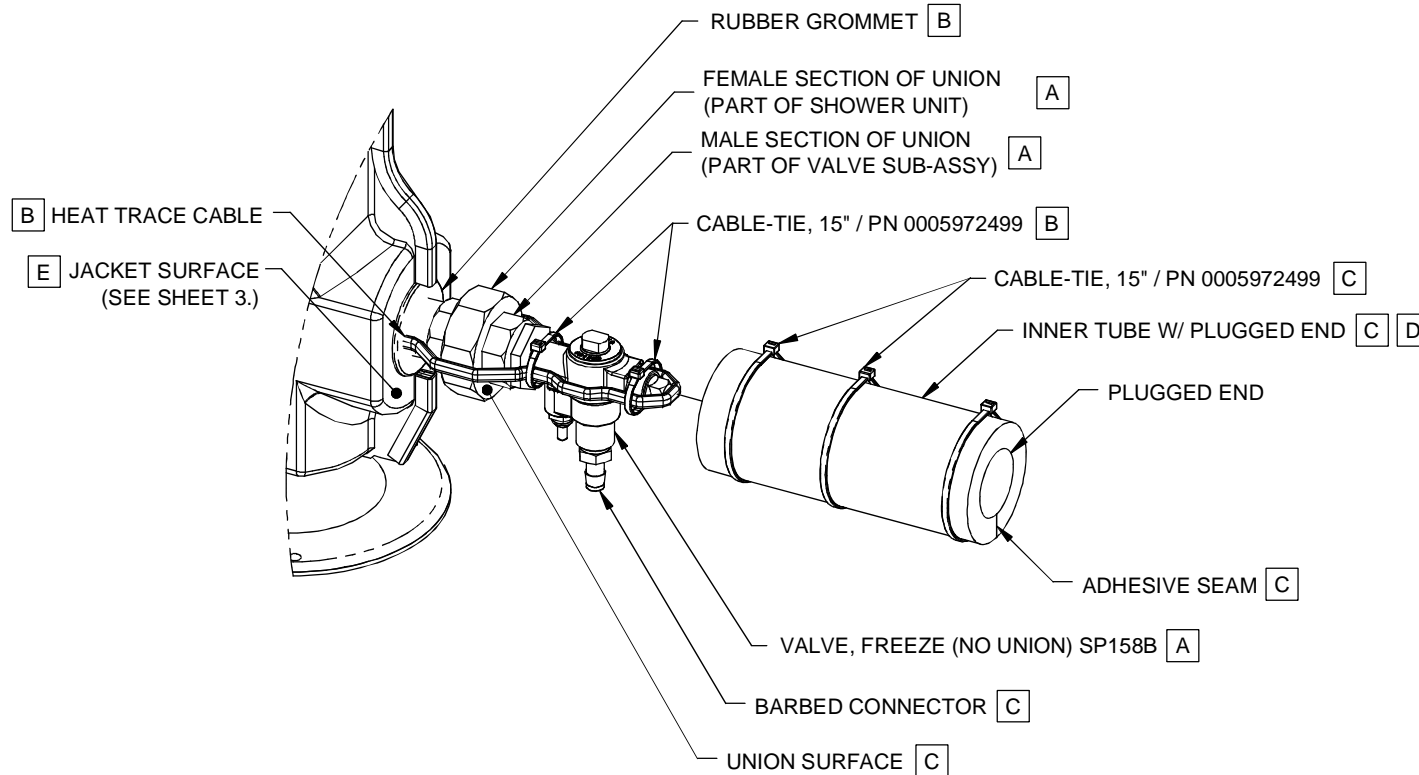
| | | | |
|-----------------------------|--|---|---|
| | | 1455 KLEPPE LANE SPARKS, NEVADA 89431 (775) 359-4712 FAX (775) 359-7424 E-MAIL: HAWS@HAWS.CO.COM WEBSITE: WWW.HAWS.CO.COM | |
| | | ECN NO. 4632 DRAWN: RTM APPROVED: | REVISED PER: ECN: 4888 DATE: 03/29/05 DATE: |
| PART NUMBER 0002081781.D | | REV 15201A00 16 | |
| SCALE: 1/20 | | DRAWING TYPE: INSTALLATION | |
| SIZE: A | | SHEET 1 OF 4 | |

NOTES: (CONTINUED FROM SHEET 1 OF 4)


4. FREEZE PROTECTION VALVE INSTALLATION INSTRUCTIONS:

- A** INSTALL VALVE SUB-ASSEMBLY INTO FEMALE SECTION OF UNION AND TIGHTEN WATER-TIGHT.
- B** FORM HEAT TRACE CABLE AROUND VALVE AND PLUG, APPLY 2X CABLE-TIES TO HEAT TRACE CABLE, AS SHOWN, ENSURING THAT HEAT TRACE CABLE IS PRESSED FIRMLY AGAINST SIDES OF VALVE (PUSH ANY LOOSE HEAT TRACE CABLE BACK INSIDE JACKET THROUGH RUBBER GROMMET). TRIM EXCESS CABLE-TIE STRAPPING.
- C** SLIDE INNER TUBE W/ PLUGGED END OVER VALVE WITH ADHESIVE SEAM FACING BOTTOM AND NON-PLUGGED END OF TUBE BUTTED UP AGAINST UNION SURFACE. REMOVE 2X ADHESIVE TAPE FROM SEAM AND SQUEEZE ADHESIVE SEAMS TOGETHER AROUND VALVE. APPLY 2X CABLE-TIES TO TUBE, IN APPROXIMATE LOCATIONS SHOWN. TRIM EXCESS CABLE-TIE STRAPPING.

(NOTES CONTINUED ON SHEET 3 OF 4)



SP158B VALVE SHOWN CONNECTED TO BOTTOM UNION FOR REFERENCE ONLY. VALVE CAN BE INSTALLED AT TOP OR BOTTOM.

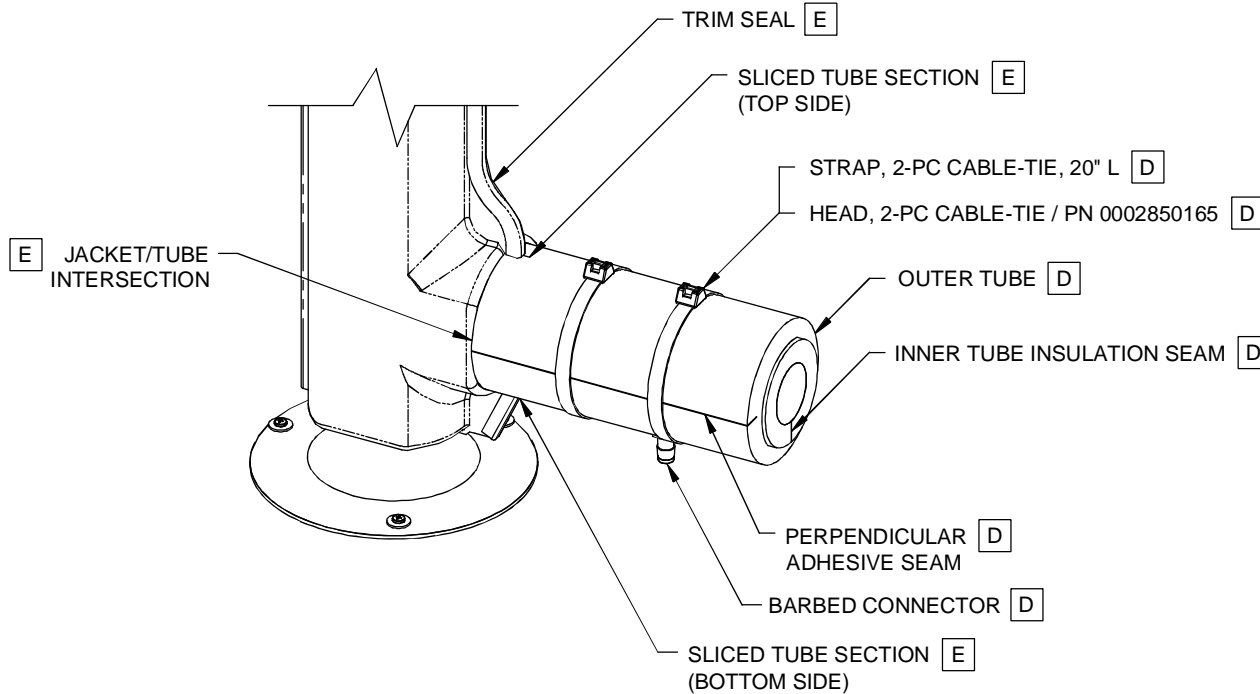
| | | | |
|---|--|---|---|
|  | | 1455 KLEPPE LANE SPARKS, NEVADA 89431 (775) 359-4712 FAX (755) 359-7424 E-MAIL: HAWS@HAWSCO.COM WEBSITE: WWW.HAWSCO.COM | |
| | | ECN NO. 4632 DRAWN: VWC APPROVED: | REVISED PER: HM DATE: 12/2/12 DATE: |
| SCALE: NA | | DRAWING TYPE: INSTALLATION | SIZE: A SHEET 2 OF 4 |

NOTES: (CONTINUED FROM SHEET 2 OF 4)


5. FREEZE PROTECTION VALVE INSTALLATION INSTRUCTIONS (CONTINUED):

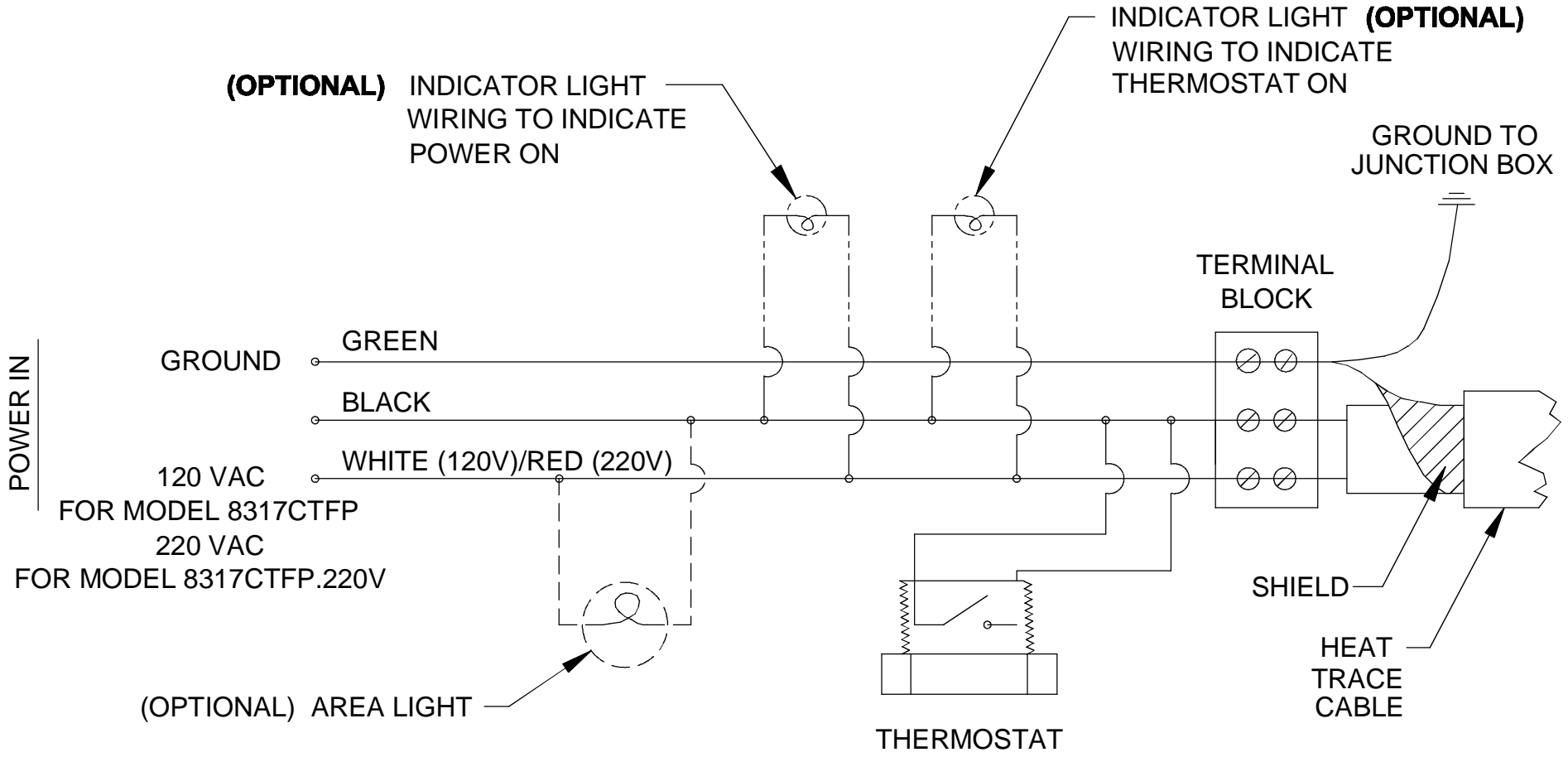
D WRAP OUTER TUBE OVER INNER TUBE ENCAPSULATED VALVE WITH ADHESIVE SEAM ORIENTED PERPENDICULAR TO SEAM OF INNER TUBE. PUSH OUTER TUBE UP AGAINST JACKET SURFACE. WHEN TUBE IS MOUNTED FIRMLY AGAINST JACKET SURFACE, SQUEEZE TUBE AT BARBED CONNECTOR SUCH THAT BARBED NIPPLE PUSHES THROUGH OUTER TUBE WALL. (PUSHING CONNECTOR THROUGH WALL WILL EXTRUDE A CYLINDRICAL PLUG OF TUBING TO BREAK FREE. DISCARD PLUG.) PUSH TUBE DOWN EVEN FURTHER SO THAT HOLE IN TUBE STRETCHES AROUND HEXAGONAL BOSS OF CONNECTOR. SQUEEZE OUTER TUBE TIGHT UNTIL ADHESIVE SEAMS ARE CLOSE ENOUGH TO SEAL. REMOVE PROTECTIVE TAPE AND SEAL SEAMS.

E TO ENSURE PROPER INSULATION OF UNION; THERE MUST BE NO SPACE BETWEEN OUTER TUBE AND JACKET SURFACE (SEE SHEET 2 FOR SURFACE CALLOUT). THEREFORE, SLICE TWO PLACES, TOP SIDE AND BOTTOM SIDE, COMPLETELY THROUGH OUTER TUBE TO A LENGTH EQUAL TO DEPTH OF TRIM SEAL. FORCE SLICED TUBE AROUND TRIM SEAL AND PUSH TUBE TIGHTLY AGAINST JACKET, AS SHOWN. APPLY 2X CABLE-TIE HEAD, AND 2X CABLE-TIE STRAP, TO TUBE, IN APPROXIMATE LOCATIONS SHOWN. TRIM EXCESS STRAPPING.




SP158B VALVE SHOWN CONNECTED TO BOTTOM UNION FOR REFERENCE ONLY. VALVE CAN BE INSTALLED AT TOP OR BOTTOM.

| | | | | | |
|---|--|----------------------------|--|---|---|
|  | | Haws [®] | | 1455 KLEPPE LANE SPARKS, NEVADA 89431 (775) 359-4712 FAX (755) 359-7424 E-MAIL: HAWS@HAWS.CO.COM WEBSITE: WWW.HAWS.CO.COM | |
| | | | | ECN NO. 4632 ECN: 4888 DRAWN: VWC APPROVED: | REVISED PER: HM DATE: 12/2/12 CHK D.: |
| SCALE: NA | | DRAWING TYPE: INSTALLATION | | SIZE: A SHEET 3 OF 4 | |



ELECTRICAL SCHEMATIC

(8317CTFP ONLY SUPPORTS TWO OPTIONS AT A TIME)

| | | | |
|---|--|---|--|
|  | | 1455 KLEPPE LANE SPARKS, NEVADA 89431 (775) 359-4712 FAX (755) 359-7424 E-MAIL: HAWS@HAWSCO.COM WEBSITE: WWW.HAWSCO.COM | |
| | | ECN NO. 4832 DRAWN: RTM APPROVED: | REVISED PER: HM DATE: 03/29/05 DATE: |
| SCALE: NA | | DRAWING TYPE: INSTALLATION | |
| SIZE: A | | SHEET 4 OF 4 | |