



model 8317

AXION MSR™ Emergency Shower and Eye/Face Wash

FEATURES & BENEFITS

CONSTRUCTION

1-1/4" IPS Schedule 40 hot-dipped galvanized steel pipe and fittings along with powder-coated cast-iron 9" (22.9 cm) diameter floor flange provide corrosion resistance in a long lasting product.

QUALITY CONTROL

Eye/face wash and valve assembly are pre-built and fully water/pressure tested to ensure no leaks and proper function which ultimately reduces installation time.

VALVES

Eye/face wash and shower ball valves are designed to make the flushing of fluid remains occur with the simple pull of a lever or push of a stainless steel flag.

SHOWER HEAD

AXION MSR™ ABS plastic drench showerhead uses a hydrodynamic design to give equal distribution of water throughout the entire footprint of flow.

SAFETY

8" x 10-3/4" (20.3 x 27.3 cm) universal combination emergency sign and 21" (53.3 cm) self-adhesive high visibility stripe in Safety Green and bright yellow make the unit easily detected in an emergency. Test card to record weekly checks helps maintain the unit's best working quality.

EYE/FACE WASH

AXION MSR™ eye/face wash head (patent pending) uses an inverted directional laminar flow to sweep contaminants away from the vulnerable nasal cavity.



SPECIFICATIONS

Model 8317 combination shower and eye/face wash shall include the AXION MSR™ hydrodynamic designed green ABS plastic 10-5/8" showerhead with integral self-regulating flow control, an AXION MSR eye/face wash head shall feature inverted directional laminar flow which achieves zero vertical velocity supplied by an integral flow control, chrome-plated brass in-line 50 x 50 mesh water strainer, and chrome-plated brass stay-open shower and eyewash ball valves equipped with stainless steel ball and stem. Unit shall also include powder-coated cast iron 9" diameter floor flange, universal sign, self-adhesive high visibility safety green and bright yellow stripes, and 1-1/4" IPS supply.

OPTIONS

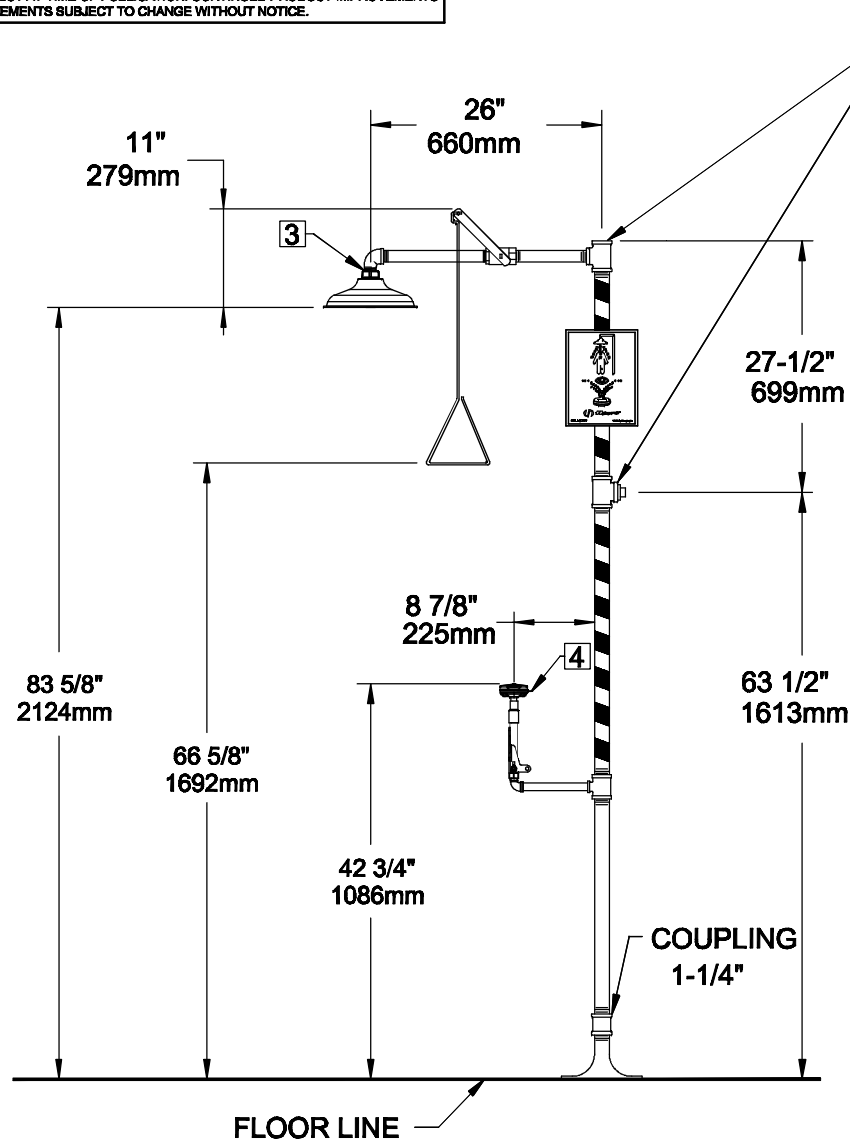
- ❑ Test Tag: SP170 is a green waterproof test card with space for date and initials of inspector. Used to record weekly testing of emergency equipment.
- ❑ Large Shower/Eyewash Sign: Model SP178LG large vertical universal combination emergency shower and eyewash sign. Size: 18" x 24" (45.7 x 61 cm).
- ❑ Emergency Body Spray Kit: Model 8901RFK, body spray unit with ABS plastic head, stay open squeeze lever valve, 8 foot (243.8 cm) hose, and installation kit.
- ❑ AXION MSR™ Showerhead: Model SP829SS, AXION MSR™ stainless steel drench showerhead with integral 20 gpm (75.7 L) flow control.

To see all options for this model, visit www.hawsc.com

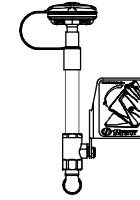
APPLICATIONS

Where the eyes, face, or body of any person may be exposed to injurious or corrosive materials, suitable facilities for quick drenching or flushing of the eyes, face, and body shall be provided within the work area for immediate emergency use. Emergency eye/face wash facilities and deluge showers shall be in unobstructed and accessible locations that require no more than 10 seconds for the injured person to reach. Model 8317 is certified by CSA to meet the ANSI Z358.1 Standard for Emergency Eyewash and Shower Equipment.

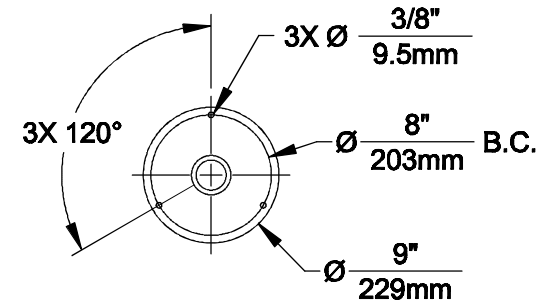




SUPPLY
1-1/4" IPS



EYE/FACE WASH DETAIL



MOUNTING DETAIL

NOTES:

1. DIMENSIONS MAY VARY BY ± 1/2 INCH [13mm].
2. TO COMPLY WITH ANSI Z358.1-2009 FOR EMERGENCY EYEWASH OR EYE/FACE WASH AND SHOWER EQUIPMENT:
 - UNIT SHALL BE INSTALLED IN ACCORDANCE WITH MANUFACTURER'S INSTRUCTIONS AND ACCEPTABLE PLUMBING PRACTICES.
 - EYEWASH OR EYE/FACE WASH SHALL BE POSITIONED WITH NOZZLES NOT LESS THEN 83.8 CM (33 IN.) AND NO GREATER THAN 114.3 CM (45 IN.) FROM SURFACE ON WHICH USER STANDS AND 15.3 CM (6 IN.) MINIMUM FROM WALL OR NEAREST OBSTRUCTION.
 - SHOWER SHALL BE POSITIONED SO THAT SHOWER HEAD IS NOT LESS THAN 208.3 CM (82 IN.) NOR MORE THAN 243.8 CM (96 IN.) FROM SURFACE ON WHICH USER STANDS.
 - SHOWER SPRAY PATTERN SHALL HAVE A MINIMUM DIAMETER OF 50.8 CM (20 IN.) AT 152.4 CM (60 IN.) ABOVE SURFACE ON WHICH USER STANDS, AND CENTER OF SPRAY PATTERN SHALL BE LOCATED AT LEAST 40.6 CM (16 IN.) FROM ANY OBSTRUCTION.
- 3 DO NOT USE REGULAR PIPE SEALANT. IF NECESSARY USE DOW CORNING 832 SEALANT PLACING 5 SMALL BEADS ON THE MALE THREADS, JUST ABOVE THE FIRST THREAD.

4 ORIENT TAB ON EYE/FACEWASH TOWARDS BACK OF SHOWER.

		1455 KLEPPE LANE SPARKS, NEVADA 89431 (775) 369-4712 FAX (775) 369-7424 E-MAIL: HAWS@HAWS.CO.COM WEBSITE: WWW.HAWS.CO.COM	
		ECN NO. REVISED PER BY: ECN: 4780 HM	MODEL(S) 8317
DRAWN: C.H.	DATE: 05/91	CHKD.:	DRAWING NO. REV 09553A00 19
APPROVED:	DATE:	SHOWER & EYE/FACE WASH COMBINATION	SCALE: 1/22 DRAWING TYPE: INSTALLATION SIZE: A SHEET 1 OF 1