

FEATURES & BENEFITS

VALVE

Valve is designed so full continuous flow occurs with the simple squeeze of a lever providing an easy start to the irrigation process.

SAFETY

8" x 10-3/4" (20.3 x 27.3 cm) universal emergency sign make the unit easily detected in an emergency. Test card to record weekly checks helps maintain the unit's best working quality.

MOUNTING

Wall-mounted design with wall hook allows for easy locating as well as a space efficient piece of emergency equipment.

HOSE

The 8' (243.8 cm) swivel hose delivers a wide coverage area and is pressure rated at 250 psi (17.2 bar) to further optimize durability.

FLOW CONTROL

Rubber 6.25 gpm (23.7 L) flow insert automatically controls the water flow rate to produce a full continuous flow of water for the irrigation process.



SPECIFICATIONS

Model 8901B wall-mounted body spray shall include a green ABS plastic head with integral flip-top dust cover, chrome plated brass stay-open squeeze lever valve with integral flow control, 8 foot (243.8 cm) 250 psi (17.2 bar) green rubber hose with chrome-plated swivel fitting at one end, wall-mounting bracket, universal sign, and 1/2" IPS inlet. In order to comply with state codes the use of a vacuum breaker is required with all hand held body spray units (Haws offers model SP212)

OPTIONS

- Test Tag: SP170 is a green waterproof test card with space for date and initials of inspector. Used to record weekly testing of emergency equipment.
- Vacuum Breaker: Model SP212 is a chrome-plated brass vacuum breaker.
- Emergency Alarm System : Model 9001.5, 1/2" 120 VAC emergency alarm and light system. Buzzer and flashing light are activated by a 1/2" IPS double pole, double throw flow switch.
- Thermostatic Mixing Valve: Model 9201EFE AXION[®] Emergency Tempering Valve thermostatically mixes hot and cold water to provide a safe fluid supply for a single emergency eye/face wash, with a flow rate of 12 gpm (38.8 L).

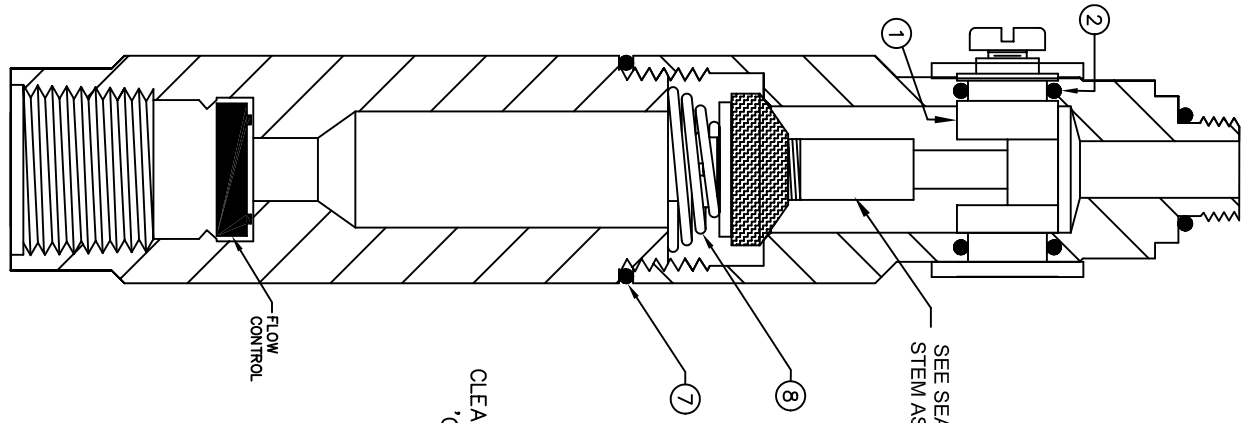
To see all options for this model, visit www.hawesco.com

APPLICATIONS

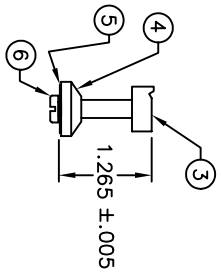
Perfect for the environment where safety is of the utmost importance and an extended coverage area may be needed. Per ANSI, "Hand held drench hoses provide support for emergency shower and eyewash units, but shall not replace them."

NOTES:

1. IN ORDER TO COMPLY WITH STATE CODES, THE USE OF A VACUUM BREAKER IS REQUIRED WITH ALL HAND HELD EYE/FACE WASH AND BODY SPRAY UNITS (HAW'S OFFERS MODEL SP212).



SEE SEAT & OPERATOR STEM ASSEMBLY DETAIL

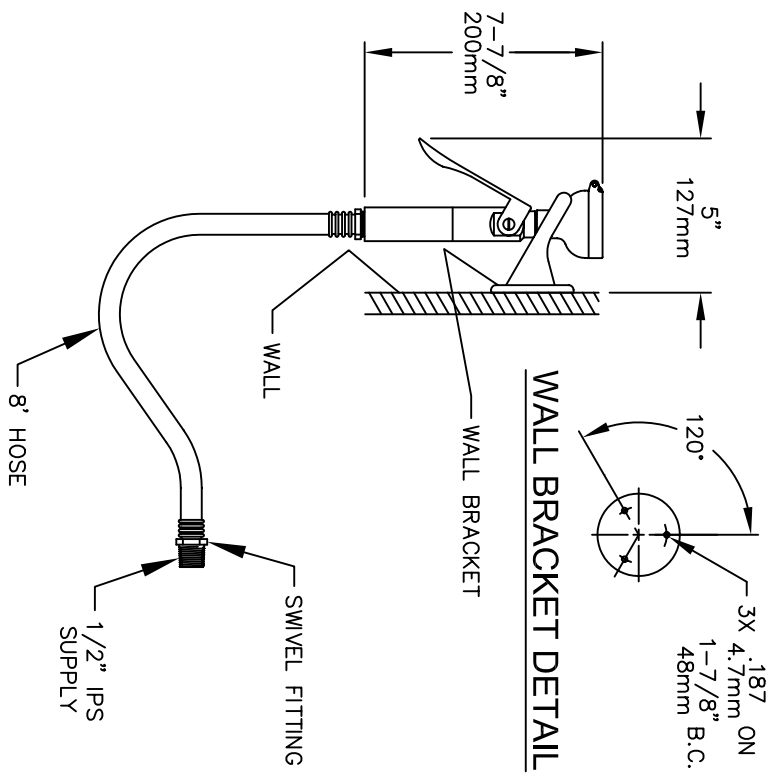


SEAT & OPERATOR STEM ASSEMBLY DETAIL

CLEAN VALVE SEAT AND WASHER THOROUGHLY, LUBRICATE 'O' RING WITH 'O' RING LUBE BEFORE REASSEMBLING.

ITEM NO.	QUANTITY	DESCRIPTION
①	1	CAM OPERATOR
②	2	'O' RING FOR CAM
③	1	OPERATOR STEM
④	1	SEAT WASHER
⑤	1	HOLDER WASHER
⑥	1	SCREW
⑦	1	'O' RING
⑧	1	SPRING

VALVE REPAIR DETAIL
MODEL VRK SP248
OPTIONAL



WALL BRACKET DETAIL



1455 KLEPPE LANE
 SPARKS, NEVADA 89431
 (775) 359-4712 FAX (775) 359-7424
 E-MAIL: HAW'S@HAWSCCO.COM
 WEBSITE: WWW.HAWSCCO.COM

EQN NO. 1	REVISED FOR	MODEL(S):	DATE: 05/20/91	DATE: 05/20/91	DATE: 05/20/91	DATE: 05/20/91	DATE: 05/20/91	DATE: 05/20/91	DATE: 05/20/91
CH	CH	CH	CH	CH	CH	CH	CH	CH	CH
8901B EYE/FACE WASH BODY SPRAY			8901B EYE/FACE WASH BODY SPRAY						
INFO FAX DOC # 289012			INFO FAX DOC # 289012						
INSTALLATION/FABRICATION			INSTALLATION/FABRICATION						
SIZE: A			SIZE: A						
SHEET: 1 OF 1			SHEET: 1 OF 1						