



model 7611

AXION MSR™ Sink Mount Eye/Face Wash

FEATURES & BENEFITS

VALVE

Units swing forward to activate design produces a full continuous flow of water and provides an easy start to the irrigation process.

SAFETY

8" x 10-3/4" (20.3 x 27.3 cm) universal emergency sign make the unit easily detected in an emergency. Test card to record weekly checks helps maintain the unit's best working quality.

MOUNTING

Unit mounts on either side of the sink allowing for a secure fit in any location.

EYE/FACE WASH

AXION MSR-™ eye/face wash head (patent pending) uses an inverted directional laminar flow to sweep contaminants away from the vulnerable nasal cavity.



OPTIONS

- ❑ Test Tag: SP170 is a green waterproof test card with space for date and initials of inspector. Used to record weekly testing of emergency equipment.
- ❑ Emergency Alarm System : Model 9001.5, 1/2" 120 VAC emergency alarm and light system. Buzzer and flashing light are activated by a 1/2" IPS double pole, double throw flow switch.
- ❑ Thermostatic Mixing Valve: Model 9201EFE AXION® Emergency Tempering Valve thermostatically mixes hot and cold water to provide a safe fluid supply for a single emergency eye/face wash, with a flow rate of 12 gpm (38.8 L).
- ❑ Thermostatic Mixing Valve: Model 9201EW AXION® Emergency Tempering Valve thermostatically mixes hot and cold water to provide a safe fluid supply for a single emergency eye/face wash, with a flow rate of 10 gpm (38.8 L).

To see all options for this model, visit www.hawesco.com

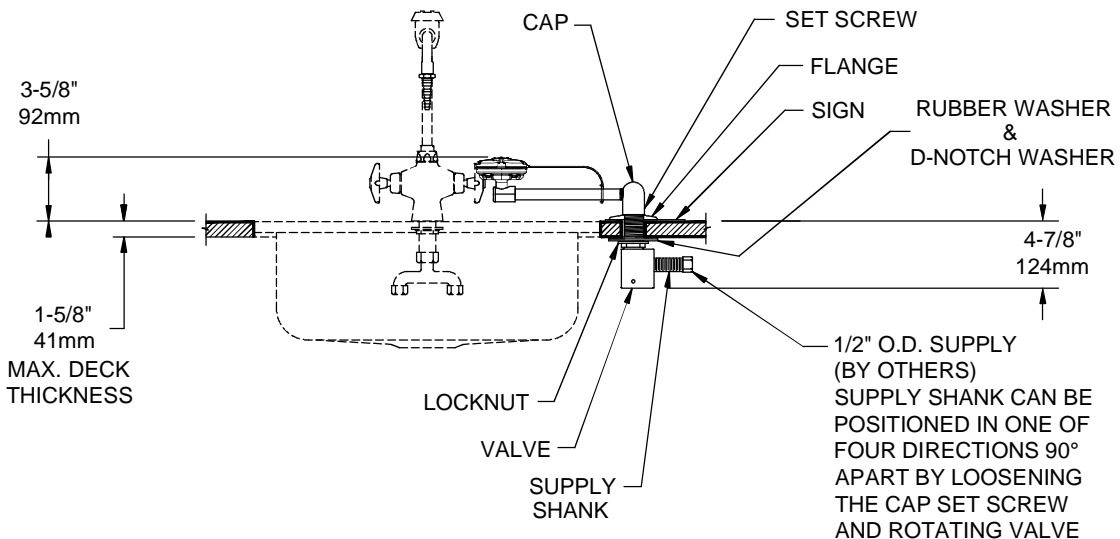
SPECIFICATIONS

Model 7611 counter top mounted eye/face wash shall include an AXION MSR™ eye/face wash head shall feature inverted directional laminar flow which achieves zero vertical velocity supplied by an integral flow control, polished chrome-plated brass single action swing-out valve body, universal sign, and 1/2" O.D. (1.3 cm) slip joint inlet.

APPLICATIONS

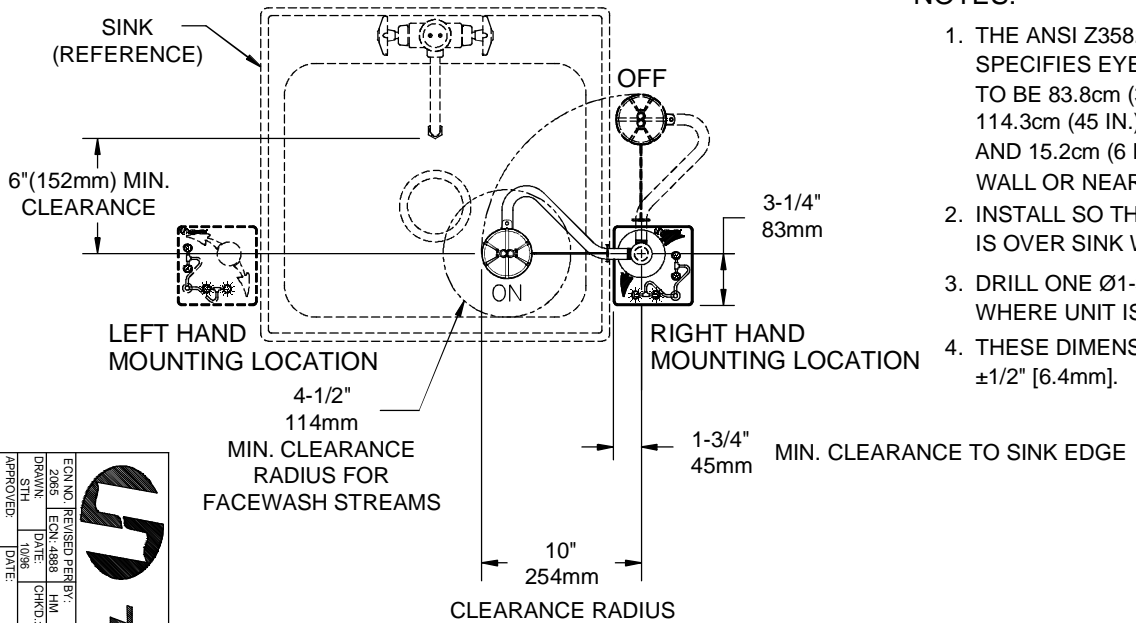
Where safety is of the utmost importance and the eyes of any person may be exposed to injurious or corrosive materials, suitable facilities for quick flushing and cleansing of the eyes be provided within the work area for immediate emergency use. When installed properly, the stable construction, counter top design of the 7611 is space efficient and durable. Model is certified by CSA to meet the ANSI Z358.1 Standard for Emergency Eyewash and Shower Equipment.



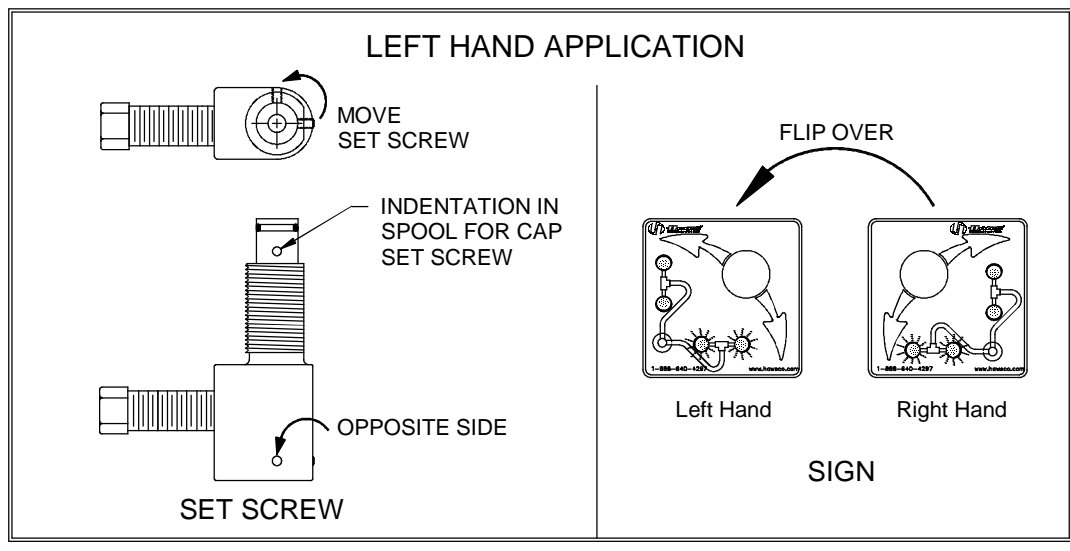


NOTES:

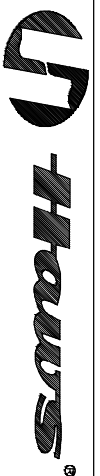
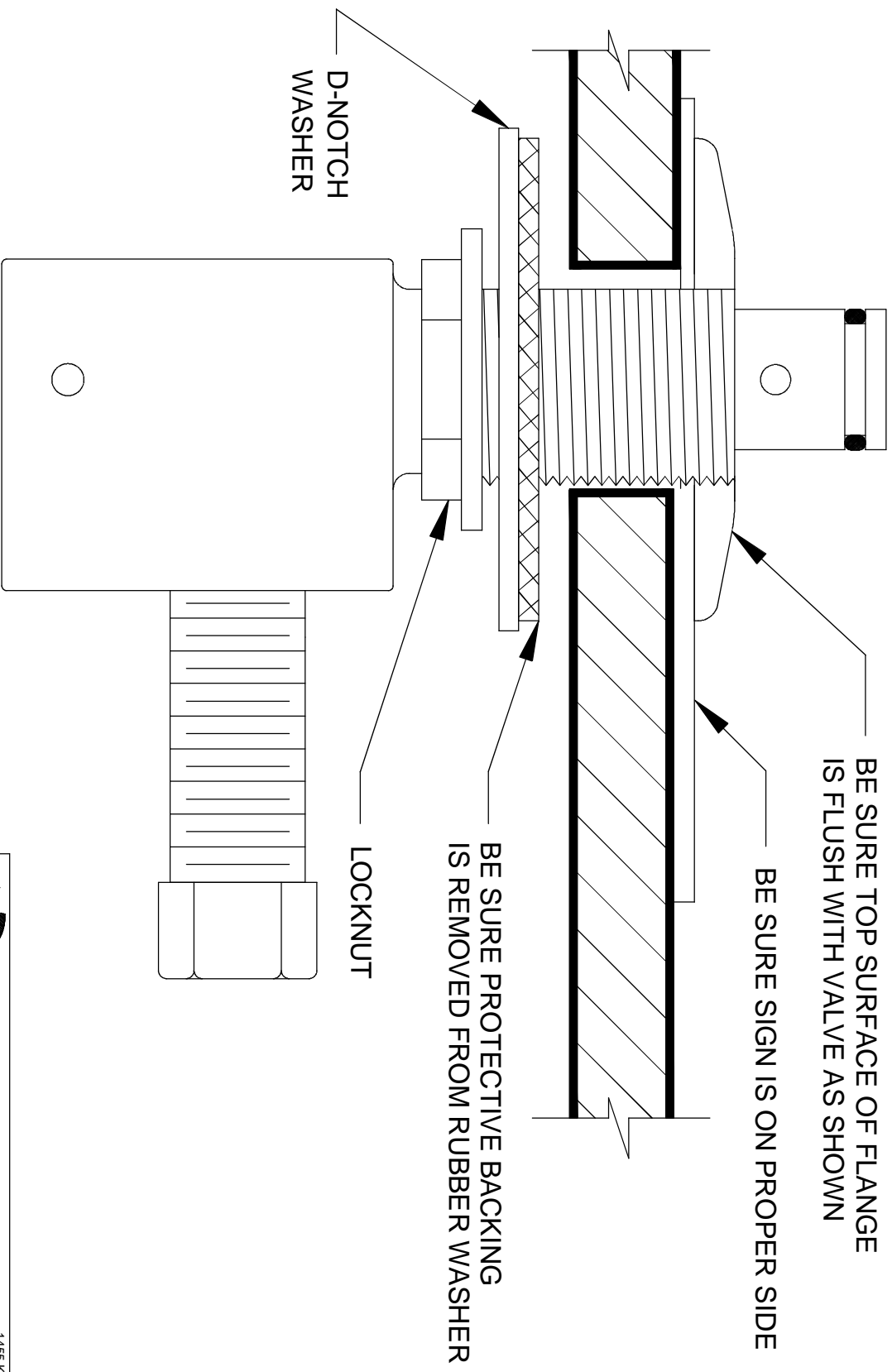
1. THE ANSI Z358.1-2009 STANDARD SPECIFIES EYEWASH NOZZLE HEIGHTS TO BE 83.8cm (33 IN.) TO 114.3cm (45 IN.) ABOVE THE FLOOR AND 15.2cm (6 IN.) MINIMUM FROM WALL OR NEAREST OBSTRUCTION.
2. INSTALL SO THAT EYEWASH HEAD IS OVER SINK WHEN ACTIVATED.
3. DRILL ONE Ø1-3/8" [35mm] HOLE WHERE UNIT IS TO BE INSTALLED.
4. THESE DIMENSIONS MAY VARY ±1/2" [6.4mm].



LEFT HAND APPLICATION



Haws		7611	
ECN: NO. 2065	REVISION PER BY: HM	MODEL(S)	7611
DATE: 10/96	DATE: 10/96	DECK MTD SWING AWAY EW	
APPROVED: [Signature]	DATE: 10/96	SCALE: 1:12	DRAWING TYPE: INSTALLATION
1455 KLEPPE LANE SPARKS, NEVADA 89431 (775) 359-4712 FAX (775) 359-7424 E-MAIL: HAWS@HAWSCO.COM WEBSITE: WWW.HAWSCO.COM		PART NUMBER: 0002080063 D	DRAWING NO: 12621A00 7



1455 KLEPPE LANE
 SPARKS, NEVADA 89431
 (775) 359-4712 FAX (775) 359-7424
 E-MAIL: HAWS@HAWSCO.COM
 WEBSITE: WWW.HAWSCO.COM

ECN NO. REUSED PER BY:	HM	MODEL(S)	
DRAWN:	2096	DATE:	10/96
STH	CHKD:		
APPROVED:	DATE:		
SCALE:	1:2	DRAWING TYPE:	INSTALLATION
SIZE:	A	SHEET:	2 OF 2
PART NUMBER		0002080063.D	
DRAWING NO.		12621A00	
REV		7	