

Please read and save these instructions. Read through this owner's manual carefully before using product. Protect yourself and others by observing all safety information, warnings, and cautions. Failure to comply with instructions could result in personal injury and/or damage to product or property. Please retain instructions for future reference.

WESTWARD® TROLLEY

Description

This Westward heavy-duty trolley has a durable coating and finish, sturdy construction, and heavy load capacity to extend product life. Heavy-duty full extension ball bearing slides ensuring smooth functionality of all drawers. Each drawer can load 80lbs(35kgs)/100lbs(45kgs)/130lbs(59kgs)/260 lbs(118kgs). The drawer with 26"(660 MM) width can load 80 lbs(35kgs)/ the drawer with 42" (1066MM)width can load 100 lbs(45kgs)/ the drawer with 57"(1448MM) width can load 130 lbs(59kgs)/ the drawer with 72"(1829MM) width can load 260 lbs (118kgs).

Ball bearing slides have a quick release design that gives great flexibility when reconfiguring the drawers. The quick lock and auto return features of the chest are for added safety to prevent unwanted, accidental opening of drawers while in transit. The trolley includes an internal locking system for added security. This trolley is ideal for professional mechanics, and garage owners interested in storing and organizing tools and parts.



Unpacking

When unpacking unit, please ensure the unit is upright. Avoid using sharp objects to open the unit. After unpacking unit, inspect carefully for any damage that may have occurred during transit. Check for loose, missing, or damaged parts. Shipping damage claim must be filed with carrier.

Specifications and Dimensions

Model	Type	Casters	No. of Drawers	Dimensions (Imperial/Metric)		
				Width	Depth	Height
32H852,32H853,32H854	Heavy Duty	5"X 2" TPR casters	6	42"(1066MM)	18.9"(480MM)	39.8"(1011MM)
32H855,32H856,32H857	Heavy Duty	5"X 2" TPR casters	11	42"(1066MM)	18.9"(480MM)	39.8"(1011MM)
32H858,32H859,32H860	Heavy Duty	6"X 2" PU casters	12	57"(1448MM)	24"(610MM)	40.6"(1031MM)
32H861,32H862,32H863	Heavy Duty	6"X 2" PU casters	16	72.2"(1834MM)	24"(610MM)	40.5"(1029MM)
32H885,32H886,32H887	Heavy Duty	5"X 2" PP casters	3	26.7"(678MM)	18"(457MM)	33.3"(846MM)
32H888,32H889,32H890	Heavy Duty	5"X 2" PP casters	7	26.7"(678MM)	18"(457MM)	39.4"(1000MM)
32H891,32H892,32H893	Heavy Duty	5"X 2" TPR casters	13	42"(1066MM)	18.9"(480MM)	39.8"(1011MM)
32H894,32H895,32H896	Heavy Duty	5"X 2" PP casters	5	26.7"(678MM)	18"(457MM)	33.3"(846MM)

General Safety Information

▲ CAUTION

Please ensure all drawers must be closed and locked completely before moving the trolley.
Handle and swivel casters must be attached on the same side of the product.
Keep the product on level surfaces. The product may become unstable and tip if stored or moved on an un-level surface, which may cause personal injury or product damage.

▲ WARNING

Do not alter the product in any manner. Do not step or climb on the cabinet.
Do not open more than one drawer at the same time. The cabinet may become unstable and tip.
Please ensure the cabinet is locked prior to moving.

Maintenance

Lubricate the lock with graphite annually. Lubricate the ball bearing slides with grease twice annually. The casters do not require lubrication.



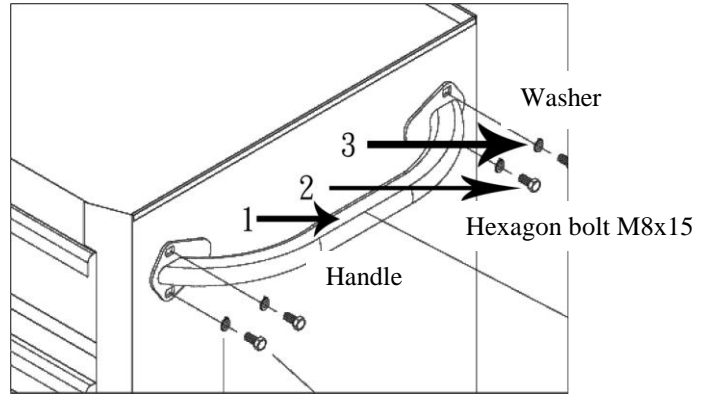
TROLLEY

ASSEMBLY

Side handle

After unpacking unit, inspect carefully for parts. The side handle is composed of the handle, washers, and screws. Please assemble the handle as figure shown. The handle should be on the same side as the brake casters.

1. Insert the hexagon bolts ② (M8X15 mm) through the washers ③ into the hole of the handle. Attach the side handle to the appropriate side of the unit.
2. Tighten all bolts using a wrench securely.



WARRANTY

LIMITED ONE-YEAR WARRANTY

Should this product fail to perform satisfactorily due to a defect or poor workmanship within ONE YEAR from the date of purchase, return it to the place of purchase and it will be replaced, free of charge. Incidental or consequential damages are excluded from this warranty.



TROLLEY

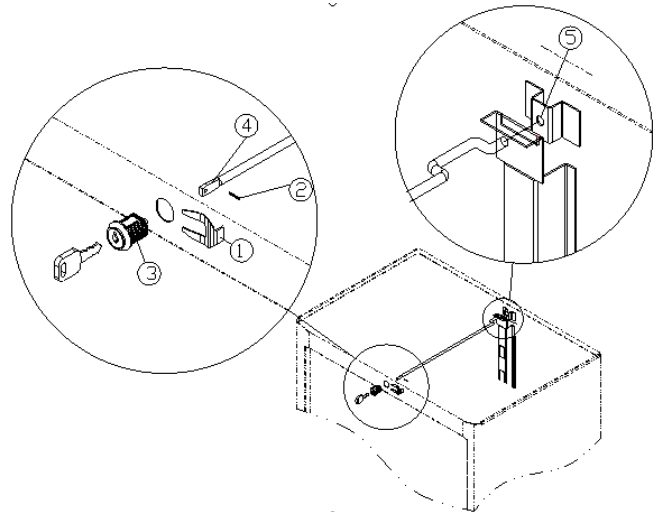
Replace the lock parts

To release lock set:

1. Remove the spring clip ① using hand tool like pinchers.
2. Pull out the whole central lock including bolt ②, lock ③, central locking bar ④.
3. Separate the central locking bar ④ from lock ③, back hole ⑤.

To reinstall lock set:

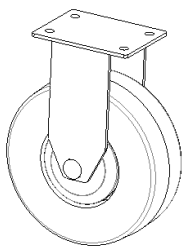
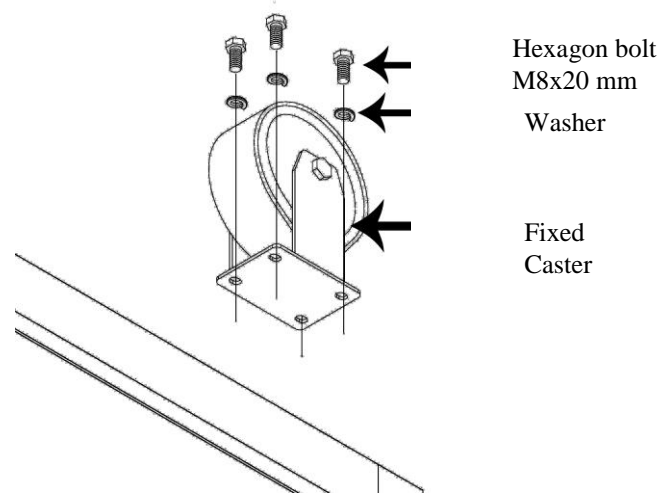
1. Insert central locking bar ④ into back hole ⑤.
2. Assemble lock ③, central locking bar ④, bolt ② in sequence.
3. Insert spring clip ① on the lock.
4. Tighten the bolt ②.



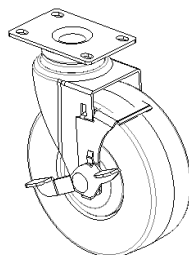
Assemble casters

After unpacking unit, The cabinet need to be placed upside down to install the casters. Place the swivel casters with brake on the same side as the handle, place fixed casters across the other side as without the side handle. Assemble casters as figure shown.

1. Place the cabinet wheels up on a flat surface.
Protect the paint by placing the packaging down first.
2. Insert the bolts through the spring washers, then attach the casters to the mounting plate. Mount both swivel casters on the same side of cabinet as the side handle.
3. Tighten all bolts using a wrench.



Fixed
caster



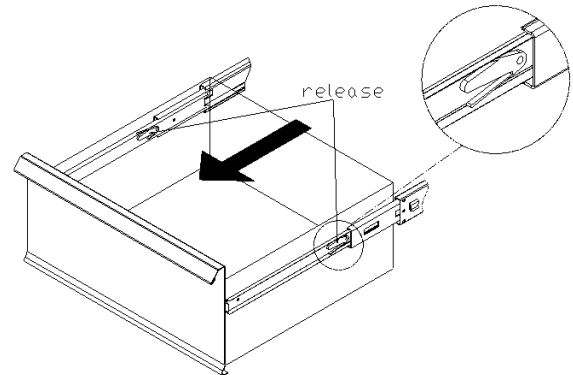
Swivel caster
with brake



TROLLEY

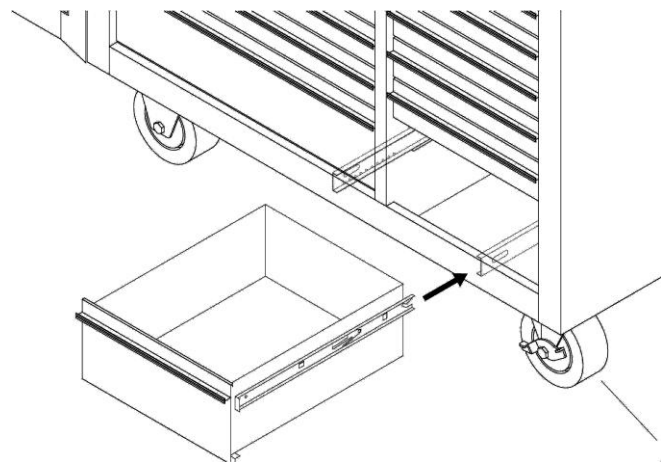
To remove the drawer:

1. To remove the drawer, release the retaining clips by pushing the lever up on one side and down on the other side simultaneously.
2. Pull the drawer out.



To install the drawer:

Place drawer on the slide rail and push into unit. The user will not need to release or move the retaining clips.



For Repair Parts, call 1-800-323-0620

24 hours a day – 365 days a year

Repair Parts List

Reference Number	Description	Part Number	Qty.
1	Brake caster for 32H894-896.32H888-890.32H885-887	TTPPB26G	1 pair
2	Fix caster for 32H894-896.32H888-890.32H885-887	TTPPF26G	1 pair
3	Brake caster for 32H852 - 857.32H891- 893	TTTTPRB42G	1 pair
4	Fix caster for 32H852 - 857.32H891-893	TTTTPRF42G	1 pair
5	Brake caster for 32H858-860. 32H861-863	TTPUB5772G	1 pair
6	Fix caster for 32H858-860. 32H861-863	TTPUF5772G	1 pair
7	Key for 32H852-866. 32H885-899	MGC03XXX	1 pair
8	Lock set for 32H852-866. 32H885-899	TTLK003G	1 pc
9.	Key for 32H885-887	MGC02XXX	1 pair
10.	Lock set for 32H885-887	TTLK002G	1 pc

(Please refer to the number on your key/lock for the last three digits.)

