



Item	Part Number	Description
A	<b>AP450-048</b>	10" Dia. Stainless Steel Shower Head
B	<b>320-08E</b>	1" IPS Stainless Steel Elbow

Shower Valve Assembly		
C	<b>AP620-335H</b>	1" IPS Stainless Steel Stay-Open Ball Valve, Single Activation. Furnished with stainless steel actuating arm.

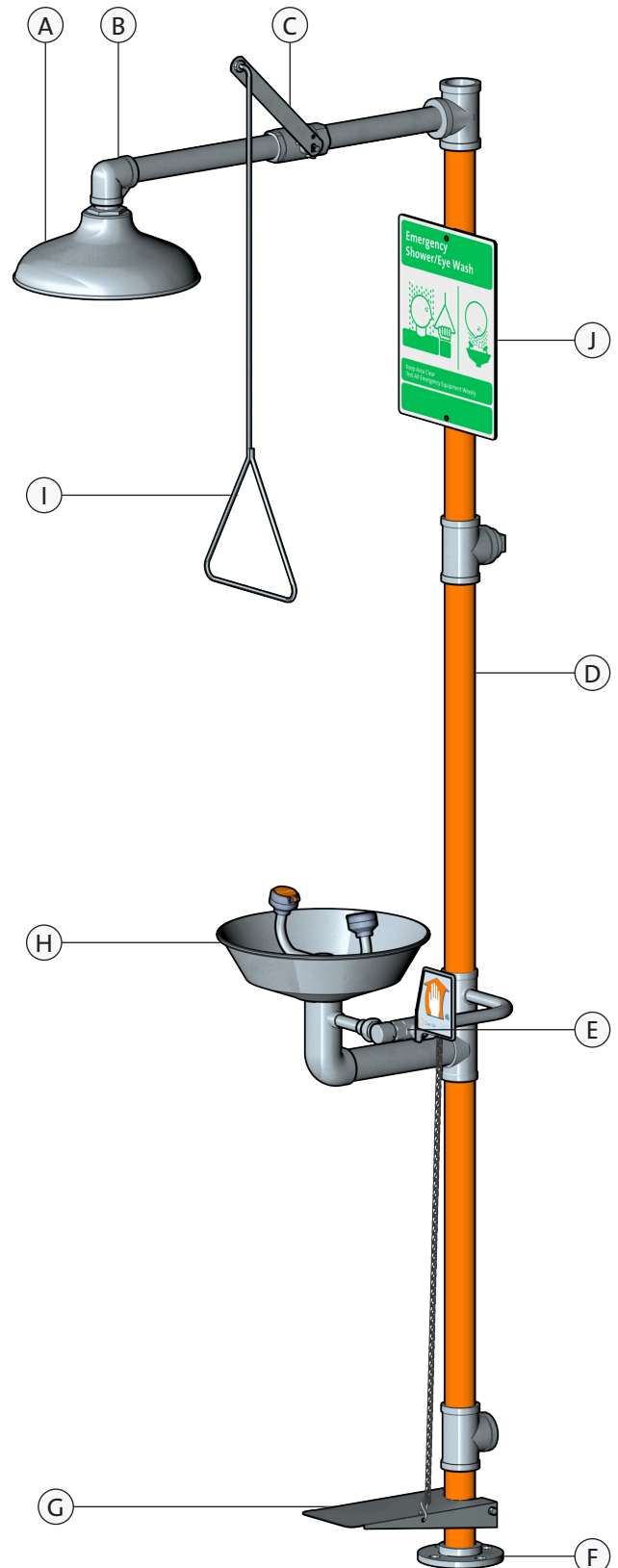
Pipe Packs		
D	<b>AP520-100</b>	Stainless Steel Pipe Pack for Units with Eyewash Bowl
	<b>AP520-170</b>	Stainless Steel Pipe Pack for Barrier-Free Units
	<b>AP530-100</b>	Orange Pipe Covers

Eyewash Valve Assemblies		
E	<b>AP620-101H</b>	1/2" IPS Stainless Steel Ball Valve with Stainless Steel Flag Handle
	<b>AP620-101H-HFC</b>	1/2" IPS Stainless Steel Ball Valve with Stainless Steel Flag Handle for Units with Hand/Foot Control

F	<b>320-10F</b>	Stainless Steel Floor Flange, 1 1/4" NPT Female Connection
G	<b>AP050-010SS</b>	Stainless Steel Foot Treadle and Return Spring with Aluminum Clevis Pin
H	<b>See Page 2</b>	Eyewash and Eye/Face Wash Assemblies

Shower Pull Rods		
I	<b>AP050-079</b>	29" Stainless Steel Pull Rod
	<b>AP050-080</b>	47 1/2" Stainless Steel Pull Rod

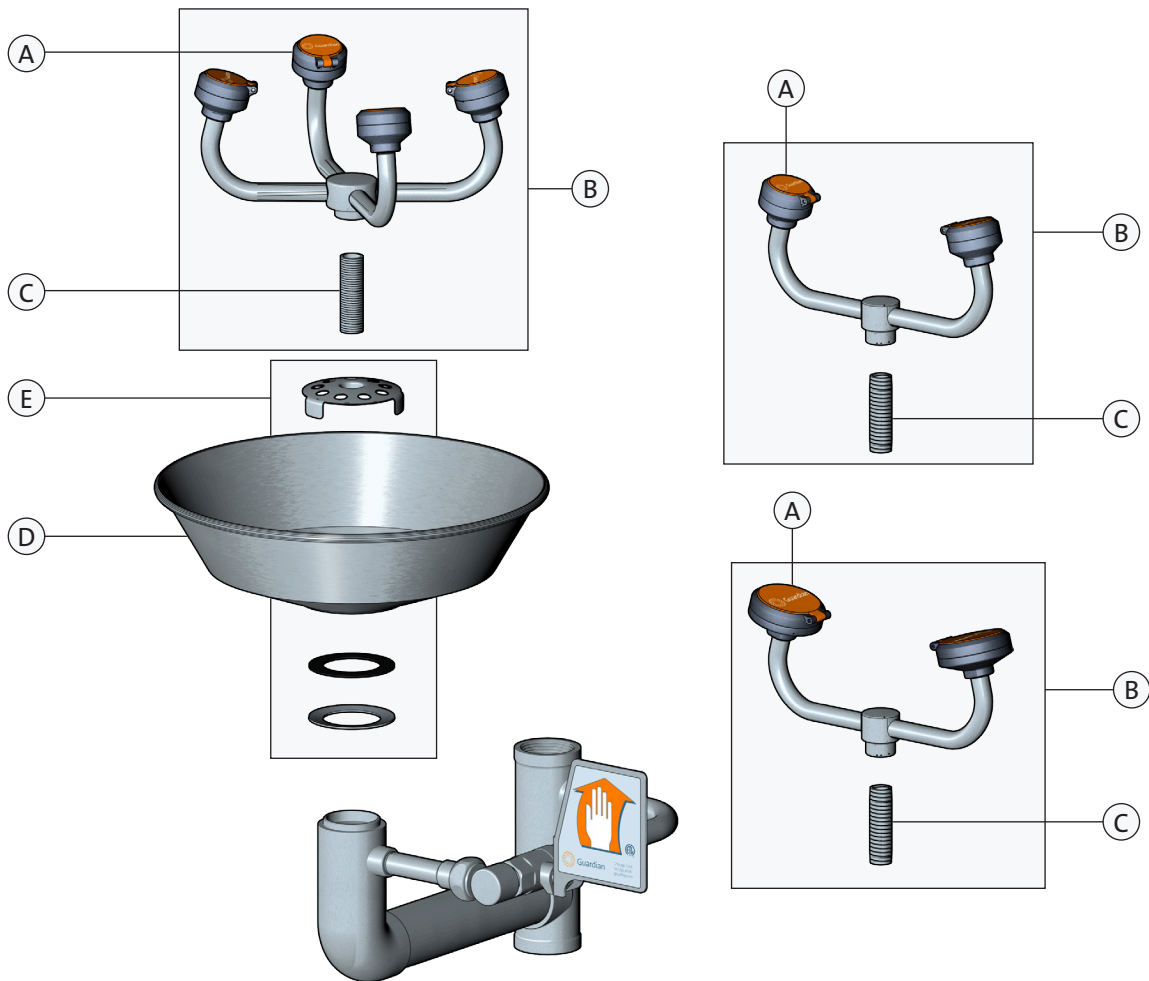
Sign		
J	<b>AP250-008G</b>	Emergency Safety Station Sign





Item	Part Number	Description
<b>Spray Head Dust Covers</b>		
A	<b>470-001</b>	GS-Plus™ Spray Head Assy.
	<b>470-021</b>	FS-Plus™ Spray Head Assy.
<b>Outlet Assemblies</b>		
B	<b>AP470-100SS-R</b>	(2) GS-Plus™ Spray Heads with Stainless Steel Fittings
	<b>AP470-110SS-R</b>	(2) FS-Plus™ Spray Heads with Stainless Steel Fittings
	<b>AP470-120SS-R</b>	(4) GS-Plus™ Spray Heads with Stainless Steel Fittings
	<b>AP470-127SS-R</b>	(4) GS-Plus™ Spray Heads with Stainless Steel Fittings for Barrier-Free Units
C	<b>SI130-02-04</b>	3/8" IPS X 2-1/4" Stainless Steel Shank

Item	Part Number	Description
<b>Bowls</b>		
D	<b>100-008R</b>	Stainless Steel Bowl
	<b>100-014R</b>	Stainless Steel Bowl for Barrier-Free Units
	<b>100-008X</b>	Stainless Steel Bowl with Neck
	<b>100-014X</b>	Stainless Steel Bowl with Neck for Barrier-Free Units
<b>Drain Plate Assemblies</b>		
E	<b>AP150-012A</b>	Drain Plate Assembly for Plastic Bowls
	<b>AP150-012B</b>	Drain Plate Assembly for Stainless Bowls
<i>Note: Includes Drain Plate, Cupped Washer, And Gasket</i>		





### Each spray head features:

- Tough polypropylene plastic construction
- Highly visible integrated nylon dust cover
- Easily accessible 1.8 GPM (GS-Plus™) or 3.2 GPM (FS-Plus™) flow controls.
- Dense (60 pore per inch) polyurethane filter
- Unique design provides a consistently soft, full spray of water across a range of working pressures from 30 to 100 PSI

Item	Part Number	Description
A	<b>AP470-001</b>	GS-Plus™ Spray Head (assembled)
B	<b>AP470-002R</b>	Dust Cover and Cap Assembly
C	<b>470-004R</b>	60 PPI Polyurethane Filter
D	<b>470-005R</b>	1.8 GPM Flow Control
E	<b>AP470-021</b>	FS-Plus™ Spray Head (assembled)
F	<b>AP470-022R</b>	Dust Cover and Cap Assembly
G	<b>470-024R</b>	60 PPI Polyurethane Filter
H	<b>470-025R</b>	3.2 GPM Flow Control

