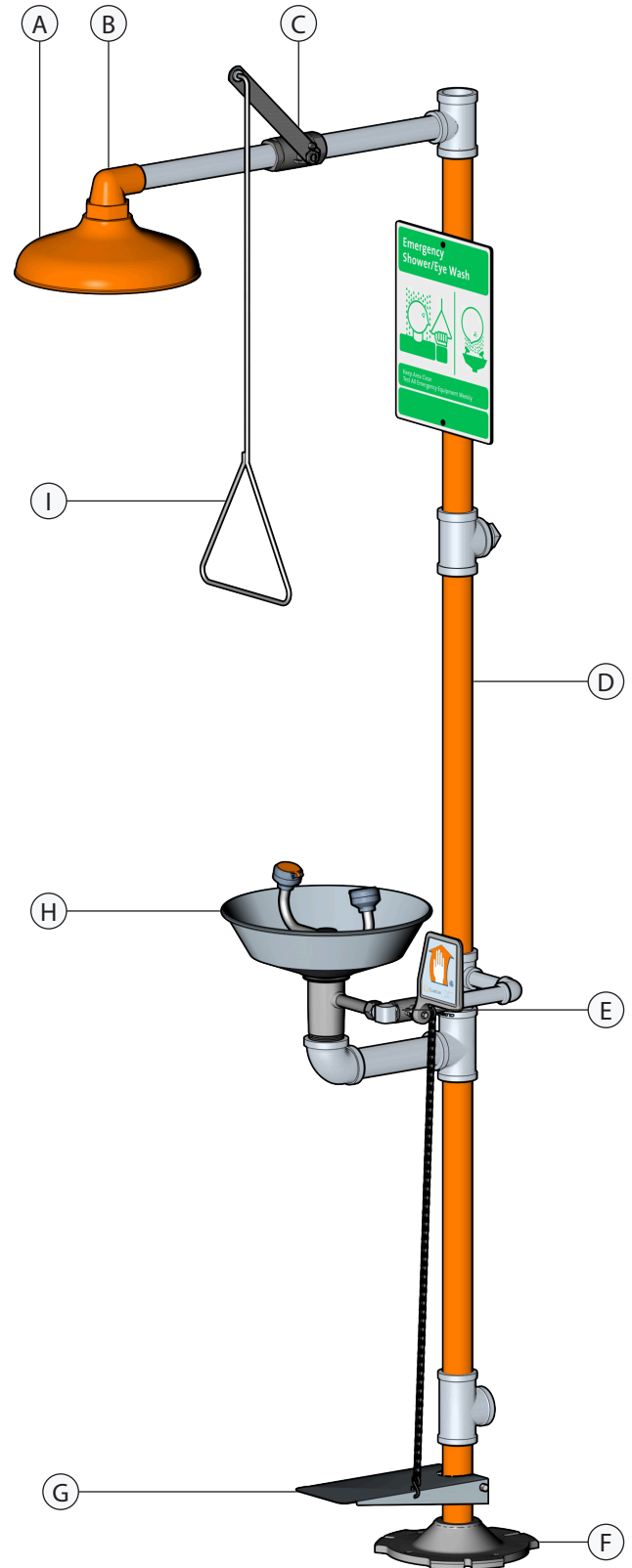




Item	Part Number	Description
Shower Heads		
A	AP450-032ORG	Orange ABS Plastic Shower Head
	AP450-032GRN	Green ABS Plastic Shower Head
	AP450-032YEL	Yellow ABS Plastic Shower Head
	AP450-048	10" Dia. Stainless Steel Shower Head
Shower Head Elbows		
B	330-12-08RSE-OR	Orange ABS Plastic Elbow
	330-12-08RSE-GR	Green ABS Plastic Elbow
	330-12-08RSE-YE	Yellow ABS Plastic Elbow
	300-08SE	1" IPS Galvanized Steel Street Elbow
Shower Valve Assembly		
C	AP600-335H	1" IPS Chrome Plated Brass Stay-Open Ball Valve, Single Activation. Furnished with stainless steel actuating arm.
Galvanized Pipe Packs		
D	AP500-100	Galvanized Steel Pipe Pack for Units with Eyewash Bowl
	AP500-170	Galvanized Steel Pipe Pack for Barrier-Free Units
	AP530-100	Orange Pipe Covers
Eyewash Valve Assemblies		
E	AP600-101H	1/2" IPS Chrome Plated Brass Ball Valve with Power Coated Aluminum Flag Handle
	AP600-101H-HFC	1/2" IPS Chrome Plated Brass Ball Valve with Power Coated Aluminum Flag Handle for Units with Hand/Foot Control
F	150-032	Powder Coated Cast Aluminum Floor Flange, 1-1/4" NPT Female Connection
G	AP050-010	Stainless Steel Foot Treadle and Return Spring with Aluminum Clevis Pin
H	See Page 2	Eyewash and Eye/Face Wash Assemblies
Shower Pull Rods		
I	AP050-079	29" Stainless Steel Pull Rod
	AP050-080	47 1/2" Stainless Steel Pull Rod





Item	Part Number	Description
------	-------------	-------------

Spray Head Dust Covers		
A	AP470-001	GS-Plus™ Spray Head Assy.
	AP470-021	FS-Plus™ Spray Head Assy.

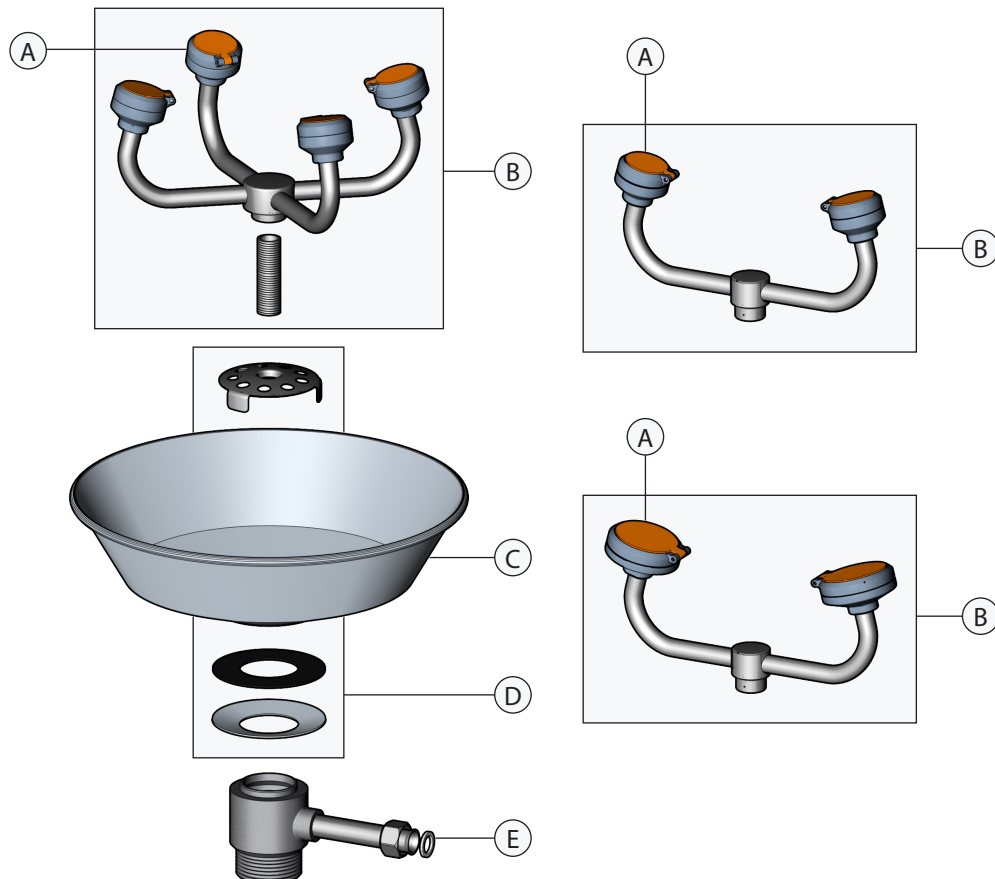
Outlet Assemblies		
B	AP470-100R	(2) GS-Plus™ Spray Heads with Chrome Plated Brass Fittings
	AP470-110R	(2) FS-Plus™ Spray Heads with Chrome Plated Brass Fittings
	AP470-120R	(4) GS-Plus™ Spray Heads with Chrome Plated Brass Fittings
	AP470-127R	(4) GS-Plus™ Spray Heads with Chrome Plated Brass Fittings for Barrier-Free Units
	BI136-02-04	3/8" IPS X 2-1/4" Brass Shank

Item	Part Number	Description
------	-------------	-------------

Bowls		
C	100-009ORG-R	Orange ABS Plastic Bowl
	100-009GRN-R	Green ABS Plastic Bowl
	100-009YEL-R	Yellow ABS Plastic Bowl
	100-008R	Stainless Steel Bowl
	100-014R	Stainless Steel Bowl for Barrier-Free Units

Drain Plate Assemblies		
D	AP150-012A	Drain Plate Assembly for Plastic Bowls
	AP150-012B	Drain Plate Assembly for Stainless Bowls
<i>Note: Includes Drain Plate, Cupped Washer, And Gasket</i>		

Waste Receptor		
E	150-066-1R	Waste Receptor with Flared Nipple Coupling and Gasket, 1 1/2" NPT Male Outlet





Each spray head features:

- Tough polypropylene plastic construction
- Highly visible integrated nylon dust cover
- Easily accessible 1.8 GPM (GS-Plus™) or 3.2 GPM (FS-Plus™) flow controls.
- Dense (60 pore per inch) polyurethane filter
- Unique design provides a consistently soft, full spray of water across a range of working pressures from 30 to 100 PSI

Item	Part Number	Description
A	AP470-001	GS-Plus™ Spray Head (assembled)
B	AP470-002R	Dust Cover and Cap Assembly
C	470-004R	60 PPI Polyurethane Filter
D	470-005R	1.8 GPM Flow Control
E	AP470-021	FS-Plus™ Spray Head (assembled)
F	AP470-022R	Dust Cover and Cap Assembly
G	470-024R	60 PPI Polyurethane Filter
H	470-025R	3.2 GPM Flow Control

