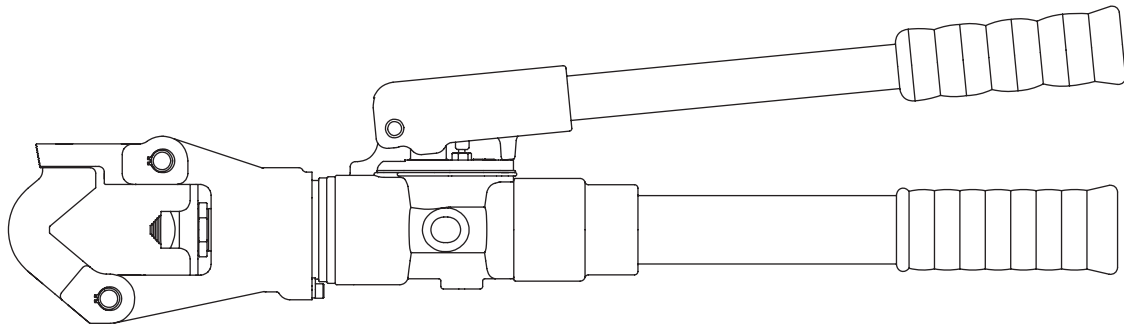


# INSTRUCTION MANUAL



Español..... 11  
Français..... 21

## HK12ID Dieless Crimping Tool



**Read and understand** all of the instructions and safety information in this manual before operating or servicing this tool.

Register this product at [www.greenlee.com](http://www.greenlee.com)

## Table of Contents

Description .....	2
Safety .....	2
Purpose of this Manual .....	2
Important Safety Information .....	3-4
Identification .....	5
Specifications .....	5
Operation.....	6-7
Preparation .....	6
Crimping .....	6-7
cUL and UL Classified Crimps.....	7
Connector Table.....	7
Maintenance.....	8-9
Schedule .....	8
Periodic Pressure Relief Valve Check.....	8-9
Verify Crimping Distance .....	9
Español.....	11-19
Français.....	21-29
Illustration and Parts List.....	30-31

## Description

The HK12ID Hydraulic Crimping Tool is a hand-held, self-contained, dieless crimping tool intended to crimp aluminum and copper connectors onto electrical cable.

## Safety

Safety is essential in the use and maintenance of Greenlee tools and equipment. This instruction manual and any markings on the tool provide information for avoiding hazards and unsafe practices related to the use of this tool. Observe all of the safety information provided.

## Purpose of this Manual

This manual is intended to familiarize all personnel with the safe operation and maintenance procedures for the following Greenlee tool:

HK12ID Dieless Crimping Tool

Keep this manual available to all personnel.

Replacement manuals are available upon request at no charge at [www.greenlee.com](http://www.greenlee.com).

All specifications are nominal and may change as design improvements occur. Greenlee Textron Inc. shall not be liable for damages resulting from misapplication or misuse of its products. Blackburn is a registered trademark of Thomas & Betts.

# ***KEEP THIS MANUAL***

## IMPORTANT SAFETY INFORMATION



### SAFETY ALERT SYMBOL

This symbol is used to call your attention to hazards or unsafe practices which could result in an injury or property damage. The signal word, defined below, indicates the severity of the hazard. The message after the signal word provides information for preventing or avoiding the hazard.

#### ⚠️ DANGER

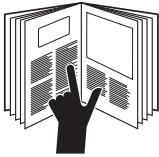
Immediate hazards which, if not avoided, **WILL** result in severe injury or death.

#### ⚠️ WARNING

Hazards which, if not avoided, **COULD** result in severe injury or death.

#### ⚠️ CAUTION

Hazards or unsafe practices which, if not avoided, **MAY** result in injury or property damage.



#### ⚠️ WARNING

Read and understand all of the instructions and safety information in this manual before operating or servicing this tool.

Failure to observe this warning could result in severe injury or death.

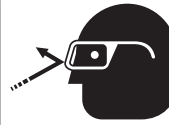


#### ⚠️ WARNING

Electric shock hazard:

This tool is not insulated. When using this unit on or near energized electrical lines, use proper personal protective equipment.

Failure to observe this warning could result in severe injury or death.



#### ⚠️ WARNING

Wear eye protection when operating or servicing this tool.

Failure to wear eye protection could result in serious eye injury from flying debris or hydraulic oil.




#### ⚠️ WARNING

Skin injection hazard:

- Do not use hands to check for leaks.
- Depressurize the hydraulic system before servicing.

Oil under pressure easily punctures skin, causing serious injury, gangrene, or death. If you are injured by escaping oil, seek medical attention immediately.

**IMPORTANT SAFETY INFORMATION**

	<b>⚠ WARNING</b>
	Pinch points: Keep hands away from the crimping tool head when crimping. Failure to observe this warning could result in severe injury or death.

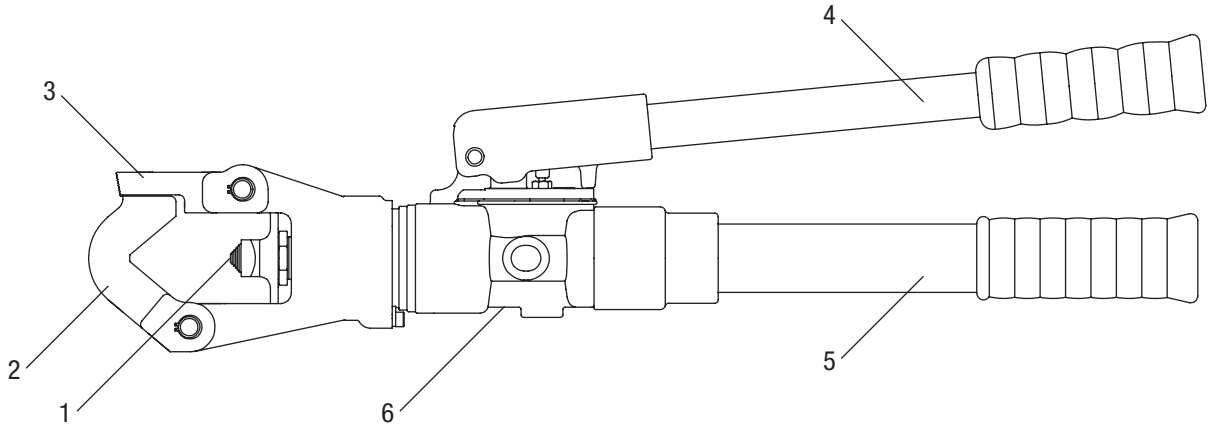
<b>⚠ WARNING</b>
An incomplete crimp can cause a fire. <ul style="list-style-type: none"><li>• Use proper connector and cable combinations. Improper combinations can result in an incomplete crimp.</li><li>• The handle load will drop suddenly to indicate a completed crimp. If the handle load does not drop suddenly, the crimp is not complete.</li></ul> Failure to observe these warnings could result in severe injury or death.

<b>⚠ WARNING</b>
Inspect tool before use. Replace any worn or damaged parts. A damaged or improperly assembled tool can break and strike nearby personnel. Failure to observe this warning could result in severe injury or death.

<b>⚠ CAUTION</b>
<ul style="list-style-type: none"><li>• This tool is intended for two-handed operation. Maintain a firm grip on both handles during operation. Using this tool in any other manner can result in injury or property damage.</li><li>• Do not operate the tool without a connector in place. Damage to the ram or crimping tool head can result.</li><li>• Do not perform any service or maintenance other than as described in this manual. Injury or damage to the tool may result.</li></ul> Failure to observe these precautions may result in injury and property damage.

*Note: Keep all decals clean and legible, and replace when necessary.*

**Identification**



**HK12ID**

- 1. Indenter
- 2. Crimping Head
- 3. Latch (for opening head)
- 4. Handle
- 5. Handle with Reservoir
- 6. Serial Number (located on main body beneath rubber cover)

**Specifications**

**Crimping Tool**

Length .....	656.8 mm (25.9")
Height.....	150 mm (5.9")
Mass/Weight .....	6.9 kg (15.2 lb)


**Crimping Capacities**

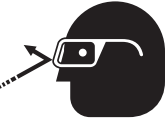
**Crimping Range**


Aluminum.....	6 AWG to 1000 kcmil
Copper.....	4 AWG to 1000 kcmil


## Operation

<b>⚠ WARNING</b>
<p>Inspect tool before use. Replace any worn or damaged parts. A damaged or improperly assembled tool can break and strike nearby personnel.</p> <p>Failure to observe this warning could result in severe injury or death.</p>

	<b>⚠ WARNING</b>
	<p>Electric shock hazard:</p> <p>This tool is not insulated. When using this unit on or near energized electrical lines, use proper personal protective equipment.</p> <p>Failure to observe this warning could result in severe injury or death.</p>

	<b>⚠ WARNING</b>
	<p>Wear eye protection when operating or servicing this tool.</p> <p>Failure to wear eye protection could result in serious eye injury from flying debris or hydraulic oil.</p>

	<b>⚠ WARNING</b>
	<p>Skin injection hazard:</p> <ul style="list-style-type: none"> <li>Do not use hands to check for leaks.</li> <li>Depressurize the hydraulic system before servicing.</li> </ul> <p>Oil under pressure easily punctures skin, causing serious injury, gangrene, or death. If you are injured by escaping oil, seek medical attention immediately.</p>

	<b>⚠ WARNING</b>
	<p>Pinch points:</p> <p>Keep hands away from the crimping tool head when crimping.</p> <p>Failure to observe this warning could result in severe injury or death.</p>

<b>⚠ WARNING</b>
<p>An incomplete crimp can cause a fire.</p> <ul style="list-style-type: none"> <li>Use proper connector and cable combinations. Improper combinations can result in an incomplete crimp.</li> <li>The handle load will drop suddenly to indicate a completed crimp. If the handle load does not drop suddenly, the crimp is not complete.</li> </ul> <p>Failure to observe these warnings could result in severe injury or death.</p>

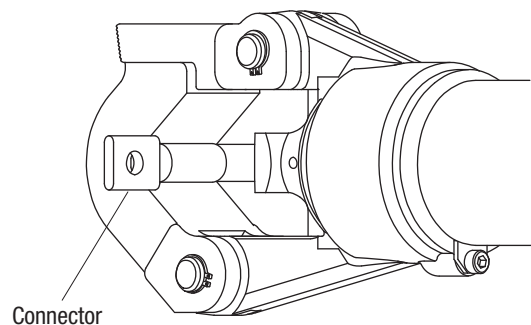
<b>IMPORTANT</b>
<p>For a cUL or UL classified crimp, refer to the Connector Table in this instruction manual.</p>

### Preparation

- Select a proper size and type of connector to correspond with the wire or cable.
  - Strip the cable to an appropriate length. Follow the connector manufacturer's instructions.
- Note: Apply an oxide inhibitor, if required. Refer to the connector manufacturer's instructions.*

### Crimping

- Insert the cable fully into the connector.
- Place the connector into the V of the crimping head, as shown below.



- If open, close the crimping head. Make sure the head and latch are fully engaged.

## Operation (cont'd)

### Crimping (cont'd)

4. For a UL or cUL classified crimp, complete the number of crimps specified in the Connector Table below.
5. For a single crimp, position the connector so the crimp will be located at the center of the barrel. For a double crimp, position the connector so two crimps will be evenly spaced between the connector marks.
6. Pump the handle to advance the indenter. Continue to pump the handle until the pressure relief valve activates.
7. Retract the indenter by twisting the pump handle clockwise in the open position and closing the handle to activate the release valve. Continue to hold the pump handle closed to completely retract the indenter.
8. Lift the latch to open the crimping head and remove the connector.
9. After completing the last crimp on an aluminum connector, wipe off the excess oxide inhibitor.

*Note: Pressure relief is indicated by an audible "pop". The handle load will also drop suddenly to indicate a complete crimp.*

*Note: if it is necessary to retract the indenter before a crimp cycle is complete, raise the pump handle, twist clockwise, and close the handle to activate the release valve and retract the indenter.*

### cUL and UL Classified Crimps

Crimps made with the Greenlee HK12ID Dieless Crimping Tool are cUL and UL classified on standard concentric, compressed, or compact stranded copper and aluminum cable with the connectors listed here. Refer to the Connector Table for the brand names and model numbers of appropriate connectors and the number of crimps required.



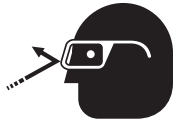
### Connector Table

Copper Connector Type		Anderson	Blackburn®	Burndy	ILSCO	Panduit	T & B	Penn-Union	Tyco (AMP)
Copper Splices		VHSS VHS	CSP CU	YS-L YS	CT CTL	SCSS SCS SCL, SCH	54506 to 54528 54806 to 54828	BCU BBCU	—
Copper Lugs		VHCS VHCL	CTL CTL-L LCN	YA, YA-L, YA-2L YA-2LN, YA-2N YA-L-TC, YA-L-2TC YA-2TC, YAZ YAZ-2N, YAZ-2TC	CLN, CLW, CSW CRA, CRB, CRC CRA-L, CRB-L CRA-2L CRB-2L CRC-2L	LCAS LCA LCB LCD, LCC LCAN	54106 to 54128 54206 to 54228 54906BE to 54928BE 54854BE to 54882BE	BLU BBLU	1099898-2 to 1-1099898-5, 1099899-2 to 1-1099899-9, 1099939-1 to 1-1099939-5
Number of Crimps*	Copper Cable Size: 4 AWG to 1000 kcmil	1	1	1	1	1	1	1	1

Aluminum Connector Type		Anderson	Blackburn®	Burndy	ILSCO	Panduit	T & B	Penn-Union
Dual-Rated Aluminum Splices		VACS	ASP	YS-A	AS	SA	60507 to 60584	PIK BCUA
Dual-Rated Aluminum Lugs		VACL	ATL	YA-A YA-A-TN	ACL, ACN 2ACL, 2ACN	LAA LAB	60106 to 60184 60230 to 60284	BLUA
Number of Crimps*	Cable Size: 6 AWG to 500 kcmil	1	1	1	1	1	1	1
	Cable Size: 600 kcmil to 800 kcmil	2	1	1	1	2	1	1
	Cable Size: 1000 kcmil	2	2	2	2	2	2	2

\* When crimping with the HK12ID crimping tool, use the number of crimps listed in this table instead of the number provided with the connector.

## Maintenance


	<b>⚠ WARNING</b>
	<p>Wear eye protection when operating or servicing this tool.</p> <p>Failure to wear eye protection could result in serious eye injury from flying debris or hydraulic oil.</p>

## Schedule

### Each Operating Day

*Before use:*

1. Inspect indenter and head for wear or damage such as cracks, gouges, or chips.
2. Inspect the tool for damage or leaks. If damage is detected, return the tool to a Greenlee Authorized Service Center for inspection.

	<b>⚠ WARNING</b>
	<p>Skin injection hazard:</p> <ul style="list-style-type: none"> <li>• Do not use hands to check for leaks.</li> <li>• Depressurize the hydraulic system before servicing.</li> </ul> <p>Oil under pressure easily punctures skin, causing serious injury, gangrene, or death. If you are injured by escaping oil, seek medical attention immediately.</p>

*After use:*

1. Wipe all tool surfaces clean with a damp cloth and mild detergent.
2. Place tool in the carrying case. Store in a cool, dry place.


### Monthly

1. Thoroughly clean all surfaces.
2. Check the oil level.
3. Oil the pin joints and metal surfaces that slide.

### Annually or After 10,000 Cycles

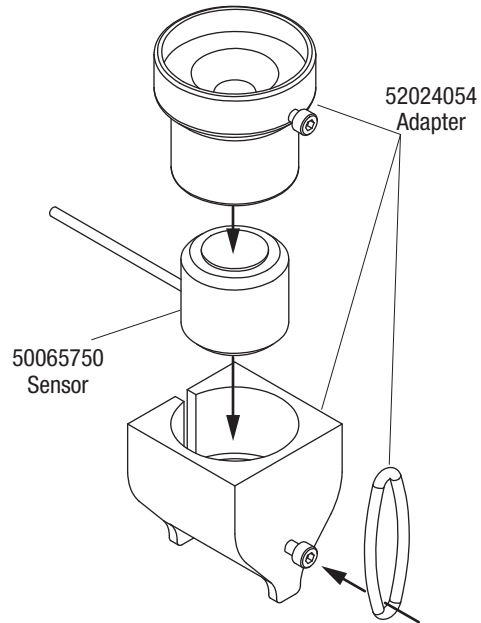
1. Change the hydraulic oil.
2. Return the tool to a Greenlee Authorized Service Center for inspection.

## Periodic Pressure Relief Valve Check

	<b>⚠ WARNING</b>
	<p>Pinch points:</p> <p>Keep hands away from the crimping tool head when crimping.</p> <p>Failure to observe this warning could result in severe injury or death.</p>

The crimping tool's relief valve may require occasional adjustment. To determine whether this adjustment is necessary, periodically test the crimping tool with a Greenlee 50013408 test meter, 50065750 sensor, and 52024054 adapter (purchased separately).

1. Install the Greenlee 50065750 sensor into the 52024054 adapter, as shown below.

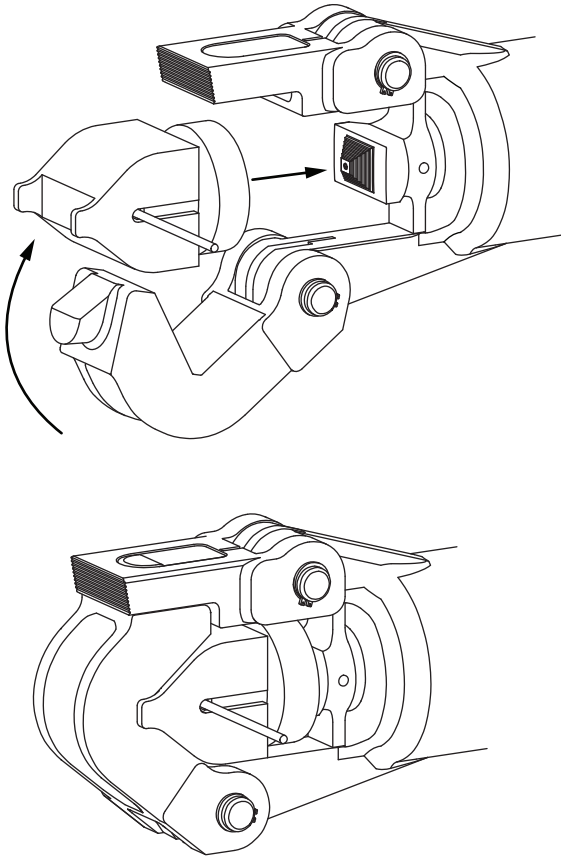




## Maintenance (cont'd)

### Periodic Pressure Relief Valve Check (cont'd)

- Lift the latch to open the crimping head and install the adapter between the indenter and crimp head. Position the round end of the adapter against the indenter and close the crimp head against the V-surfaces on the adapter, as shown below. Check that the head and latch are fully engaged.



- Connect the sensor cable to the test meter and calibrate the sensor per operating instructions provided with the 50013408 test meter.
- Pump the handle to advance the indenter until the pressure relief valve activates. The display on the test meter should show a force of 107.8 to 110.8 kN (24,250 to 24,925 lb). If the force reading is outside this range, send the crimping tool to an authorized service center for adjustment.

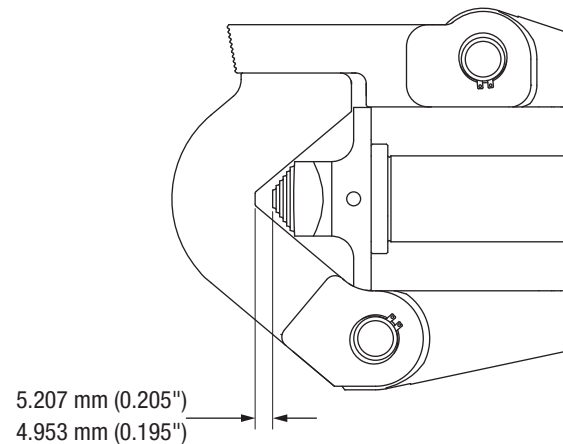
## IMPORTANT

Relief valve adjustments must be done by an authorized service center.

### Verify Crimping Distance

The crimping distance on this tool is set at the factory to a precise dimension to insure a certified crimp. The crimping distance may require resetting if the indenter, crimping head, or other components are replaced on the tool. Follow the procedure below to verify and reset the crimping distance.

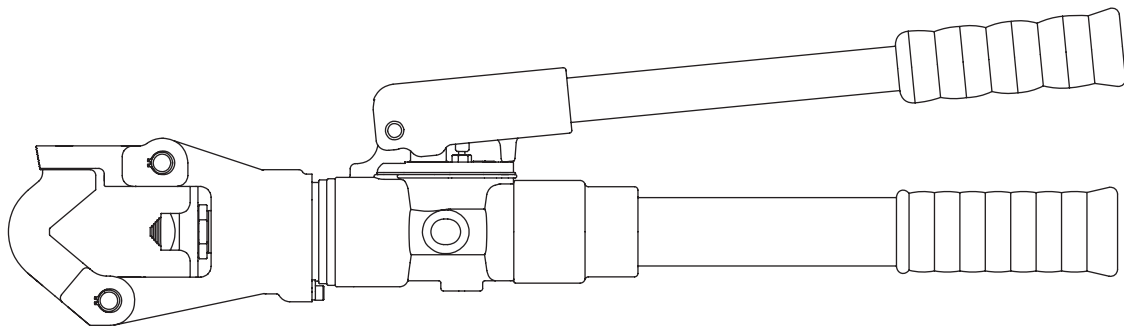
- Close the crimping head and check that latch and head are fully engaged.
- Pump the handle to advance the indenter. Continue to pump the handle until the indenter is a full stroke and the handle force is noticeably greater.
- Measure the distance between the bottom of the indenter and the head as shown below. The distance should measure 4.953 mm to 5.207 mm (0.195" to 0.205"). If the distance is outside this range, remove the set screw (72) and indenter (40).
  - To increase distance, remove a spacer (41, 42).
  - To decrease distance, add a spacer (41, 42).



- Install the indenter (40) and secure set screw (72).



# MANUAL DE INSTRUCCIONES



## Engarzador sin casquillo HK12ID



**Lea y entienda** todas las instrucciones y la información sobre seguridad que aparecen en este manual, antes de manejar esta herramienta o darle mantenimiento.

Registre este producto en [www.greenlee.com](http://www.greenlee.com)

## Índice

Descripción .....	12
Acerca de la seguridad.....	12
Propósito de este manual .....	12
Importante información sobre seguridad .....	13-14
Identificación .....	15
Especificaciones .....	15
Operación.....	16-17
Preparación.....	16
Engarzado.....	16-17
Engarzados con clasificaciones cUL y UL .....	17
Tabla de conectores .....	17
Mantenimiento.....	18-19
Calendario.....	18
Verificación periódica de la válvula de alivio de presión.....	18-19
Verificación de la distancia de engarzado .....	19
Ilustración y lista de piezas .....	30-31

## Descripción

El Engarzador hidráulico HK12ID es un engarzador sin casquillo, portátil, enterizo, diseñado para engarzar conectores de aluminio y cobre en cables eléctricos.

## Acerca de la seguridad

Es fundamental observar métodos seguros al utilizar y dar mantenimiento a las herramientas y equipo Greenlee. Este manual de instrucciones y las marcas que ostenta la herramienta le ofrecen la información necesaria para evitar riesgos y hábitos pocos seguros relacionados con su uso. Siga toda la información sobre seguridad que se proporciona.

## Propósito de este manual

Este manual tiene como propósito familiarizar a todo el personal con los procedimientos de operación y mantenimiento seguros para la siguiente herramienta Greenlee:

Engarzador sin casquillo HK12ID

Mantenga este manual al alcance de todo el personal.

Puede obtener copias adicionales de manera gratuita, previa solicitud en [www.greenlee.com](http://www.greenlee.com).

Todas las especificaciones son nominales y pueden cambiar cuando se realicen mejoras en el diseño. Greenlee Textron Inc. no será responsable por daños que resulten de la aplicación o uso indebidos de sus productos.

Blackburn es una marca comercial registrada de Thomas & Betts.

## CONSERVE ESTE MANUAL

## IMPORTANTE INFORMACIÓN SOBRE SEGURIDAD



### SÍMBOLO DE ALERTA SOBRE SEGURIDAD

Este símbolo se utiliza para indicar un riesgo o práctica poco segura que podría ocasionar lesiones o daños materiales. Cada uno de los siguientes términos denota la gravedad del riesgo. El mensaje que sigue a cada uno de los términos brinda información para prevenir o evitar un peligro.

#### ⚠ PELIGRO

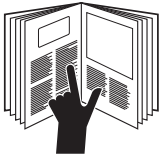
Peligros inmediatos que, de no evitarse, OCASIONARÁN graves lesiones o incluso la muerte.

#### ⚠ ADVERTENCIA

Peligros que, de no evitarse, PODRÍAN OCASIONAR graves lesiones o incluso la muerte.

#### ⚠ ATENCIÓN

Peligro o prácticas peligrosas que, de no evitarse, PUEDEN OCASIONAR lesiones o daños materiales.



#### ⚠ ADVERTENCIA

Lea y entienda todas las instrucciones y la información sobre seguridad que aparecen en este manual, antes de manejar esta herramienta o darle mantenimiento.

De no observarse esta advertencia podrían sufrirse graves lesiones o incluso la muerte.

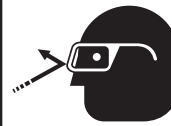


#### ⚠ ADVERTENCIA

Peligro de electrocución:

Esta herramienta no está aislada. Al utilizar esta unidad cerca de líneas eléctricas energizadas, utilice únicamente equipo de protección personal adecuado.

De no observarse esta advertencia podrían sufrirse graves lesiones o incluso la muerte.



#### ⚠ ADVERTENCIA

Al manejar esta herramienta utilice protectores para ojos.

De no utilizar protectores para ojos podría sufrir graves lesiones oculares ocasionadas si el aceite para aparatos hidráulicos, o restos de materiales llegan a saltar.




#### ⚠ ADVERTENCIA

Peligro de inyección cutánea:

- No use las manos para localizar fugas.
- Purgue la presión en el sistema hidráulico antes de darle mantenimiento.

El aceite bajo presión punza la piel fácilmente provocando graves lesiones, gangrena o la muerte. Si se lesiona debido a una fuga de aceite, solicite atención médica de inmediato.

## **IMPORTANTE INFORMACIÓN SOBRE SEGURIDAD**

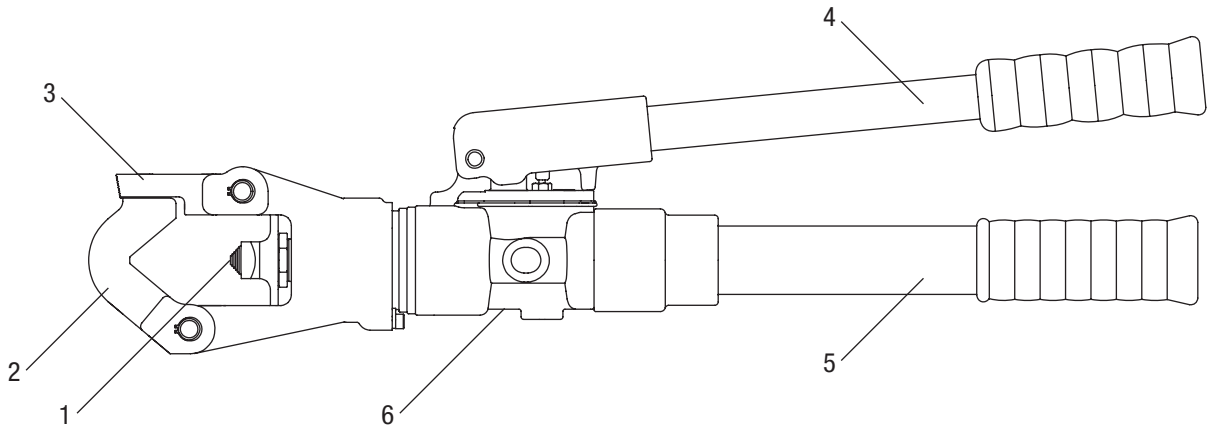
	<b>⚠ADVERTENCIA</b>
	<p>Puntos de indentación: Mantenga las manos alejadas del cabezal del engarzador cuando realice engarzados.</p> <p>De no observarse esta advertencia podrían sufrirse graves lesiones o incluso la muerte.</p>

<b>⚠ADVERTENCIA</b>
<p>Un engarzado incompleto puede ocasionar un incendio.</p> <ul style="list-style-type: none"><li>• Utilice combinaciones apropiadas de conectores y cables. Las combinaciones inapropiadas pueden ocasionar un engarzado incompleto.</li><li>• La tensión del mango descenderá súbitamente para indicar que se ha obtenido un engarzado completo. Si la tensión del mango no desciende súbitamente, no se obtendrá un engarzado completo.</li></ul> <p>De no observarse estas advertencias podrían sufrirse lesiones graves o incluso la muerte.</p>

<b>⚠ADVERTENCIA</b>
<p>Revise la herramienta antes de utilizarla. Reemplace cualquier pieza desgastada o dañada. Una herramienta dañada o colocada de manera incorrecta tendrá un funcionamiento errático y puede lesionar al personal que se encuentre en el área.</p> <p>De no observarse esta advertencia podrían sufrirse graves lesiones o incluso la muerte.</p>

<b>⚠ATENCIÓN</b>
<ul style="list-style-type: none"><li>• Esta herramienta ha sido diseñada para manejarse con las dos manos. Sujete firmemente ambos mangos mientras la herramienta está en funcionamiento. Utilizarla de otra forma podría ocasionar lesiones o daños a la propiedad.</li><li>• No utilice el engarzador sin los casquillos colocados perfectamente en su lugar; de lo contrario, se puede averiar el martinete o la cabeza engarzadora.</li><li>• No lleve a cabo ningún tipo de servicio o mantenimiento diferente al descrito en este manual; de lo contrario, podrían producirse lesiones o daños a la herramienta.</li></ul> <p>De no observarse estas precauciones podrían sufrirse lesiones o daños materiales.</p>

*Aviso: Mantenga las etiquetas de advertencia limpias y legibles.*

**Identificación****HK12ID**

1. Muescador
2. Cabezal de engarzado
3. Gancho (para abrir el cabezal)
4. Mango
5. Mango con depósito
6. Número de serie (ubicado en el cuerpo principal debajo de la cubierta de caucho)

**Especificaciones**

## Engarzador

Longitud ..... 656,8 mm (25,9 pulg.)

Altura ..... 150 mm (5,9 pulg.)

Masa/Peso ..... 6,9 kg (15,2 lb.)

## Capacidades de engarzado


## Margen de engarzado

Aluminio ..... 6 AWG a 1000 kcmil

Cobre ..... 4 AWG a 1000 kcmil

## Operación

<b>⚠ADVERTENCIA</b>
<p>Revise la herramienta antes de utilizarla. Reemplace cualquier pieza desgastada o dañada. Una herramienta dañada o colocada de manera incorrecta tendrá un funcionamiento errático y puede lesionar al personal que se encuentre en el área.</p> <p>De no observarse esta advertencia podrían sufrirse graves lesiones o incluso la muerte.</p>


	<b>⚠ADVERTENCIA</b>
	<p>Puntos de indentación:</p> <p>Mantenga las manos alejadas del cabezal del engarzador cuando realice engarzados.</p> <p>De no observarse esta advertencia podrían sufrirse graves lesiones o incluso la muerte.</p>

	<b>⚠ADVERTENCIA</b>
	<p>Peligro de electrocución:</p> <p>Esta herramienta no está aislada. Al utilizar esta unidad cerca de líneas eléctricas energizadas, utilice únicamente equipo de protección personal adecuado.</p> <p>De no observarse esta advertencia podrían sufrirse graves lesiones o incluso la muerte.</p>

<b>⚠ADVERTENCIA</b>
<p>Un engarzado incompleto puede ocasionar un incendio.</p> <ul style="list-style-type: none"> <li>• Utilice combinaciones apropiadas de conectores y cables. Las combinaciones inapropiadas pueden ocasionar un engarzado incompleto.</li> <li>• La tensión del mango descenderá súbitamente para indicar que se ha obtenido un engarzado completo. Si la tensión del mango no desciende súbitamente, no se obtendrá un engarzado completo.</li> </ul> <p>De no observarse estas advertencias podrían sufrirse lesiones graves o incluso la muerte.</p>

	<b>⚠ADVERTENCIA</b>
	<p>Al manejar esta herramienta utilice protectores para ojos.</p> <p>De no utilizar protectores para ojos podría sufrir graves lesiones oculares ocasionadas si el aceite para aparatos hidráulicos, o restos de materiales llegan a saltar.</p>

<b>IMPORTANTE</b>
<p>Para obtener un engarzado con clasificación cUL o UL, consulte la Tabla de conectores en este manual de instrucciones.</p>

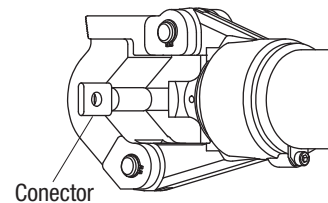
	<b>⚠ADVERTENCIA</b>
	<p>Peligro de inyección cutánea:</p> <ul style="list-style-type: none"> <li>• No use las manos para localizar fugas.</li> <li>• Purgue la presión en el sistema hidráulico antes de darle mantenimiento.</li> </ul> <p>El aceite bajo presión punza la piel fácilmente provocando graves lesiones, gangrena o la muerte. Si se lesiona debido a una fuga de aceite, solicite atención médica de inmediato.</p>

### Preparación

1. Seleccione un conector de tamaño y tipo adecuado que corresponda con el alambre o cable.
  2. Desforre el cable a una longitud apropiada. Observe las instrucciones del fabricante del conector.
- Aviso: Aplique un inhibidor de óxido, de ser necesario. Consulte las instrucciones del fabricante del conector.*

### Engarzado

1. Inserte el cable completamente en el conector.
2. Coloque el conector en la superficie en forma de V del cabezal de engarzado, según se muestra abajo.





## Operación (continuación)

### Engarzado (continuación)

3. Si está abierto, cierre el cabezal de engarzado. Asegúrese que el cabezal y el gancho estén completamente enganchados.
4. Para obtener un engarzado con clasificación UL o cUL, complete la cantidad de engarzados que se especifica en la Tabla de conectores abajo.
5. Para un engarzado sencillo, coloque el conector de manera que el engarce quede ubicado en el centro del cilindro. Para un engarzado doble, coloque el conector de manera que los dos engarces queden separados uniformemente entre las marcas en el conector.
6. Accione el mango para avanzar el muescador. Continúe accionando el mango hasta que la válvula de alivio de presión se active.
7. Retire el muescador girando el mango de presión hacia la derecha en posición abierta y cerrando el mango para activar la válvula de alivio. Continúe manteniendo el mango de presión cerrado para retirar completamente el muescador.
8. Levante el gancho para abrir el cabezal de engarzado y retire el conector.
9. Luego de finalizar el último engarzado en un conector de aluminio, limpie el exceso de inhibidor de óxido.

*Aviso: Un chasquido audible indicará que se ha logrado un alivio de presión. La tensión del mango descenderá súbitamente para indicar que se ha obtenido un engarzado completo.*

7. Retire el muescador girando el mango de presión hacia la derecha en posición abierta y cerrando el mango para activar la válvula de alivio. Continúe manteniendo el mango de presión cerrado para retirar completamente el muescador.
8. Levante el gancho para abrir el cabezal de engarzado y retire el conector.
9. Luego de finalizar el último engarzado en un conector de aluminio, limpie el exceso de inhibidor de óxido.

*Aviso: Si es necesario retirar el muescador antes de que finalice un ciclo de engarzado, levante el mango de presión, gírelo hacia la derecha, y cierre el mango para activar la válvula de alivio y retirar el muescador.*

## Engarzados con clasificaciones cUL y UL

Los engarzados que se realizan con el Engarzador sin casquillo HK12ID de Greenlee tienen clasificación cUL y UL en cables estándar de aluminio y cobre trenzados concéntricos, prensados o compactos con los conectores aquí listados. Consulte la Tabla de conectores para obtener los nombres de marca y los números de modelo de los conectores adecuados y la cantidad de engarzados necesarios.



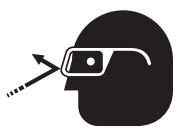
### Tabla de conectores

Tipo de conector de cobre		Anderson	Blackburn®	Burndy	ILSCO	Panduit	T & B	Penn-Union	Tyco (AMP)
Empalmes de cobre		VHSS VHS	CSP CU	YS-L YS	CT CTL	SCSS SCS SCL, SCH	54506 a 54528 54806 a 54828	BCU BBCU	—
Lengüetas de conexión de cobre		VHCS VHCL	CTL CTL-L LCN	YA, YA-L, YA-2L YA-2LN, YA-2N YA-L-TC, YA-L-2TC YA-2TC, YAZ YAZ-2N, YAZ-2TC	CLN, CLW, CSW CRA, CRB, CRC CRA-L, CRB-L CRA-2L CRB-2L CRC-2L	LCAS LCA LCB LCD, LCC LCAN	54106 a 54128 54206 a 54228 54906BE a 54928BE 54854BE a 54882BE	BLU BBLU	1099898-2 a 1-1099898-5, 1099899-2 a 1-1099899-9, 1099939-1 a 1-1099939-5
<b>Cantidad de engarzados*</b>	Calibre del cable de cobre: 4 AWG a 1000 kcmil	1	1	1	1	1	1	1	1

Tipo de conector de aluminio		Anderson	Blackburn®	Burndy	ILSCO	Panduit	T & B	Penn-Union
Empalmes de aluminio con doble clasificación		VACS	ASP	YS-A	AS	SA	60507 a 60584	PIK BCUA
Lengüetas de conexión de aluminio con doble clasificación		VACL	ATL	YA-A YA-A-TN	ACL, ACN 2ACL, 2ACN	LAA LAB	60106 a 60184 60230 a 60284	BLUA
<b>Cantidad de engarzados*</b>	Calibre del cable: 6 AWG a 500 kcmil	1	1	1	1	1	1	1
	Calibre del cable: 600 kcmil a 800 kcmil	2	1	1	1	2	1	1
	Calibre del cable: 1000 kcmil	2	2	2	2	2	2	2

\* Cuando realice engarzados con el engarzador HK12ID, utilice la cantidad de engarzados indicada en la tabla en lugar de la cantidad sugerida con el conector.

## Mantenimiento


	<b>⚠ADVERTENCIA</b>
	<p>Al manejar esta herramienta utilice protectores para ojos.</p> <p>De no utilizar protectores para ojos podría sufrir graves lesiones oculares ocasionadas si el aceite para aparatos hidráulicos, o restos de materiales llegaran a saltar.</p>

## Calendario

### Diariamente

*Antes de usar:*

1. Revise si el muescador y el cabezal muestran signos de desgaste o daño tales como grietas, mellas o desportilladuras.
2. Revise si la herramienta muestra signos de daño o fugas. Si se detecta algún daño, devuelva la herramienta a un Centro de Servicio Autorizado Greenlee para que la revisen.

	<b>⚠ADVERTENCIA</b>
	<p>Peligro de inyección cutánea:</p> <ul style="list-style-type: none"> <li>• No use las manos para localizar fugas.</li> <li>• Purgue la presión en el sistema hidráulico antes de darle mantenimiento.</li> </ul> <p>El aceite bajo presión punza la piel fácilmente provocando graves lesiones, gangrena o la muerte. Si se lesiona debido a una fuga de aceite, solicite atención médica de inmediato.</p>

*Luego de usar:*

1. Limpie todas las superficies de la herramienta con un paño húmedo y detergente suave.
2. Guarde la herramienta en el estuche. Almacénela en un lugar frío y seco.


### Mensualmente

1. Limpie completamente todas las superficies.
2. Revise el nivel del aceite.
3. Lubrique las articulaciones de pivote y las superficies metálicas deslizantes.

### Anualmente o luego de 10.000 ciclos

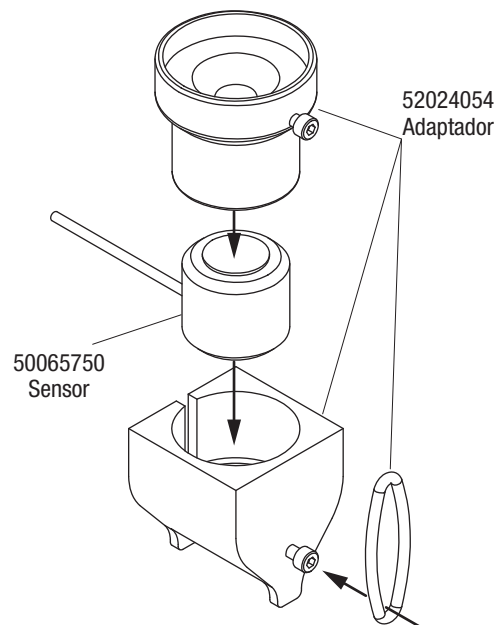
1. Cambie el aceite para herramientas hidráulicas.
2. Devuelva la herramienta a un Centro de Servicio Autorizado Greenlee para que la revisen.

### Verificación periódica de la válvula de alivio de presión

	<b>⚠ADVERTENCIA</b>
	<p>Puntos de indentación:</p> <p>Mantenga las manos alejadas del cabezal del engarzador cuando realice engarzados.</p> <p>De no observarse esta advertencia podrían sufrirse graves lesiones o incluso la muerte.</p>

La válvula de alivio del engarzador podría requerir ajuste ocasional. Para determinar si el ajuste es necesario, verifique periódicamente el engarzador con un verificador 50013408, sensor 50065750 y adaptador 52024054 Greenlee (vendidos por separado).

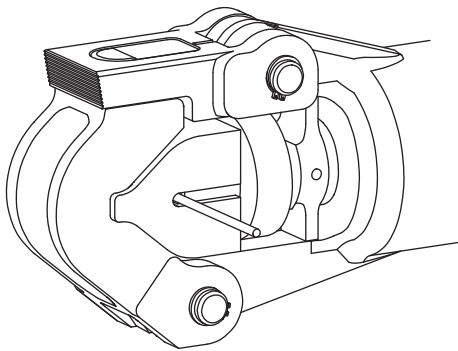
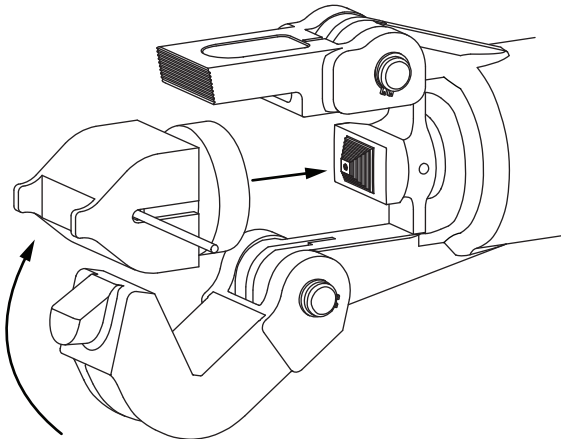
1. Instale el sensor 50065750 Greenlee en el adaptador 52024054, según se muestra abajo.



## Mantenimiento (continuación)

### Verificación periódica de la válvula de alivio de presión (continuación)

- Levante el gancho para abrir el cabezal de engarzado e instale el adaptador entre el muescador y el cabezal de engarzado. Coloque el extremo redondo del adaptador contra el muescador y cierre el cabezal de engarzado contra las superficies en forma de V del adaptador, según se muestra abajo. Verifique que el cabezal y el gancho estén completamente enganchados.



- Conecte el cable del sensor al verificador y calibre el sensor según se indica en las instrucciones de operación incluidas con el verificador 50013408.
- Active el mango para avanzar el muescador hasta que la válvula de alivio de presión se active. La pantalla en el verificador deberá indicar una fuerza de 107,8 a 110,8 kN (24.250 a 24.925 lb). Si la lectura de fuerza se encuentra fuera de este margen, envíe el engarzador a un centro de servicio autorizado para que lo ajusten.

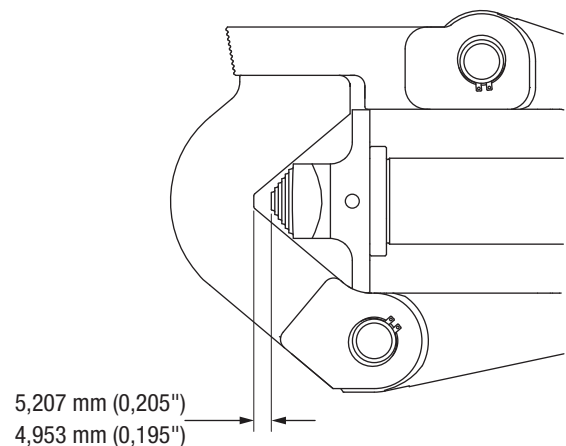
## IMPORTANTE

Los ajustes de la válvula de alivio deberán llevarse a cabo en un centro de servicio autorizado.

### Verificación de la distancia de engarzado

La distancia de engarzado en esta herramienta se ajusta en la fábrica a una dimensión precisa para garantizar un engarzado que cumpla con las clasificaciones pertinentes. Podría ser necesario reajustar la distancia de engarzado si el muescador, el cabezal de engarzado u otros componentes son reemplazados en la herramienta. Observe el procedimiento a continuación para verificar y reajustar la distancia de engarzado.

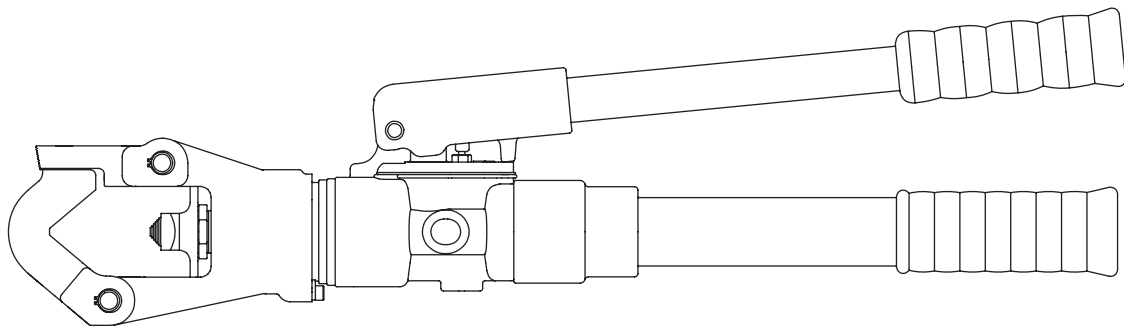
- Cierre el cabezal de engarzado y asegúrese que el gancho y el cabezal estén completamente enganchados.
- Accione el mango para avanzar el muescador. Continúe accionando el mango hasta que el muescador alcance el recorrido máximo y la fuerza del mango sea apreciablemente mayor.
- Mida la distancia entre la parte inferior del muescador y el cabezal según se muestra abajo. La distancia debe medir 4,953 mm a 5,207 mm (0,195 pulg. a 0,205 pulg.). Si la distancia se encuentra fuera de este margen, retire el tornillo de fijación (72) y el muescador (40).
  - Para aumentar la distancia, retire un espaciador (41, 42).
  - Para disminuir la distancia, agregue un espaciador (41, 42).



- Instale el muescador (40) y apriete el tornillo de fijación (72).



# MANUEL D'INSTRUCTIONS



## Outil de sertissage sans matrice HK12ID



Nous vous conseillons de **lire attentivement** et de **bien comprendre** les instructions suivantes avant d'utiliser ou de procéder à l'entretien de cet outil.

Enregistrez votre produit en ligne, [www.greenlee.com](http://www.greenlee.com)

## Table des matières

Description .....	22
Consignes de sécurité.....	22
Dessein de ce manuel .....	22
Consignes de sécurité importantes.....	23–24
Identification .....	25
Spécifications .....	25
Utilisation.....	26–27
Préparation .....	26
Sertissage .....	26–27
Sertissages homologués cUL et UL .....	27
Tableau des connecteurs.....	27
Entretien .....	28–29
Calendrier .....	28
Vérification périodique du clapet de suppression .....	28–29
Vérification de la distance de sertissage .....	29
Illustration et liste des pièces .....	30–31

## Description

L'outil de sertissage hydraulique HK12ID, portatif et autonome, est conçu pour sertir sans matrice des connecteurs en aluminium et en cuivre sur des câbles électriques.

## Consignes de sécurité

Lors de l'utilisation et de l'entretien des outils et de l'équipement de Greenlee, votre sécurité est une priorité. En suivant les instructions de ce manuel et celles inscrites sur l'outil, vous pourrez éliminer les risques et les dangers liés à son utilisation. Veuillez respecter toutes les consignes de sécurité.

## Dessein de ce manuel

Ce manuel est conçu pour que le personnel puisse se familiariser avec les procédures de fonctionnement et d'entretien en toute sécurité l'outil Greenlee suivant :

Outil de sertissage sans matrice HK12ID

Mettez ce manuel à la disposition de tous les employés.

Vous pouvez obtenir des exemplaires gratuits sur simple demande en visitant le [www.greenlee.com](http://www.greenlee.com).

Toutes les spécifications sont nominales et peuvent changer avec l'amélioration de la conception. Greenlee Textron Inc. ne peut être tenue responsable des dommages résultant d'une application inappropriée ou d'un mauvais usage de ses produits.

Blackburn est une marque de commerce enregistrée de Thomas & Betts.

# **CONSERVEZ CE MANUEL**

## CONSIGNES DE SÉCURITÉ IMPORTANTES



### SYMBOLE D'AVERTISSEMENT

Ce symbole vous met en garde contre les risques et les manipulations dangereuses pouvant entraîner des blessures ou l'endommagement du matériel. Les mots indicateurs ci-dessous définissent la gravité du danger, et sont suivis d'informations vous permettant de reconnaître le danger et de l'éviter.

### ⚠ DANGER

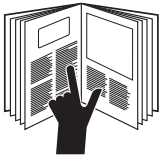
Danger immédiat qui, s'il n'est pas pris en considération, ENTRAÎNERA des blessures graves, voire mortelles.

### ⚠ AVERTISSEMENT

Danger qui, s'il n'est pas pris en considération, POURRAIT entraîner des blessures graves, voire mortelles.

### ⚠ ATTENTION

Dangers ou manipulations dangereuses qui, s'ils ne sont pas pris en considération, POURRAIENT EVENTUELLEMENT entraîner des blessures graves, voire mortelles.



### ⚠ AVERTISSEMENT

Nous vous conseillons de lire attentivement et de bien comprendre les instructions suivantes avant d'utiliser ou de procéder à l'entretien de cet outil.

L'inobservation de cette consigne pourrait entraîner des blessures graves, voire mortelles.

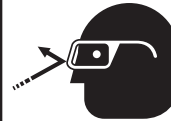


### ⚠ AVERTISSEMENT

Risque d'électrocution :

Cet outil n'est pas isolé. Utilisez de l'équipement protecteur adéquat lorsque vous vous servez de cet outil sur ou à proximité de lignes électriques sous tension.

L'inobservation de cette consigne pourrait entraîner des blessures graves, voire mortelles.



### ⚠ AVERTISSEMENT

Nous vous conseillons de porter des lunettes de protection lors de l'utilisation ou de l'entretien de cet outil.

Le fait de ne pas porter des lunettes de protection pourrait entraîner des blessures oculaires graves causées par la projection de débris ou d'huile hydraulique.




### ⚠ AVERTISSEMENT

Risque d'injection sous-cutanée :

- N'utilisez jamais vos mains pour déterminer l'emplacement d'une fuite.
- Veillez à dépressuriser le système hydraulique avant d'en effectuer l'entretien.

Un jet d'huile sous pression peut facilement percer la peau et entraîner de graves blessures, la gangrène, voire la mort. Si vous êtes blessé par un jet d'huile, consultez immédiatement un docteur.

## **CONSIGNES DE SÉCURITÉ IMPORTANTES**

	<b>⚠️ AVERTISSEMENT</b>
	<p>Points de pincement :</p> <p>Garder les mains à bonne distance de la tête de l'outil de sertissage pendant son utilisation.</p> <p>L'inobservation de cette consigne pourrait entraîner des blessures graves, voire mortelles.</p>

<b>⚠️ ATTENTION</b>
<ul style="list-style-type: none"><li>• Cet outil est conçu pour être utilisé avec deux mains. Maintenez fermement les deux poignées pendant l'utilisation. L'utilisation de cet outil de toute autre façon peut entraîner des blessures ou des dommages matériels.</li><li>• N'utilisez pas l'outil sans qu'un connecteur soit en place. Sinon, le vérin ou la tête de l'outil pourraient subir des dommages.</li><li>• N'exécutez aucun type d'entretien ou de service qui diffère de ceux décrits dans ce manuel. Des risques de blessures ou de dommages existent.</li></ul> <p>L'inobservation de ces précautions est susceptible d'entraîner des blessures ou des dégâts matériels.</p>

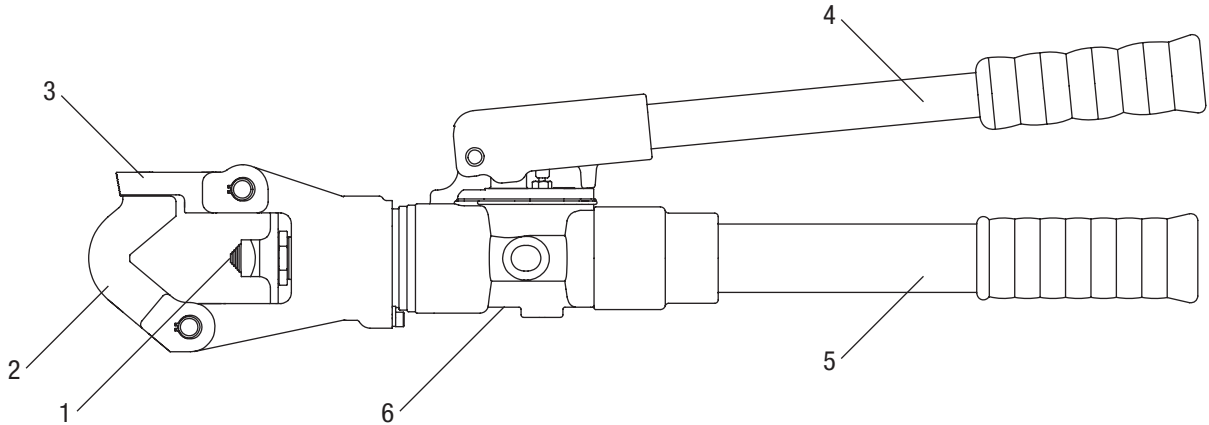
*Remarque : Conservez toutes les décalcomanies propres et lisibles et remplacez-les au besoin.*

<b>⚠️ AVERTISSEMENT</b>
<p>Un sertissage incomplet peut être une cause d'incendie.</p> <ul style="list-style-type: none"><li>• Utiliser la combinaison correcte de connecteur et de câble. Des combinaisons incorrectes peuvent avoir pour résultat un sertissage incomplet.</li><li>• Une pression de poignée qui se réduit subitement indique un sertissage terminé. Si la pression de poignée ne se réduit pas subitement, le sertissage est incomplet.</li></ul> <p>L'inobservation de ces avertissements pourrait entraîner des blessures graves, voire mortelles.</p>

<b>⚠️ AVERTISSEMENT</b>
<p>Vérifiez l'outil avant de l'utiliser. Remplacez les pièces usées ou endommagées. Un outil endommagé ou monté incorrectement peut se briser et blesser des personnes se tenant à proximité.</p> <p>L'inobservation de cette consigne pourrait entraîner des blessures graves, voire mortelles.</p>



**Identification**



**HK12ID**

- 1. Pénétrateur
- 2. Tête de sertissage
- 3. Verrou (pour ouvrir la tête)
- 4. Poignée
- 5. Poignée avec réservoir
- 6. Numéro de série (situé sur le boîtier principal, sous l'enveloppe protectrice en caoutchouc)

**Spécifications**

Outil de sertissage

Longueur ..... 656,8 mm (25,9 po)

Hauteur..... 150 mm (5,9 po)

Masse/poids.....6,9 kg (15,2 lb)

Capacités de sertissage


Plage de sertissage

Aluminium .....6 AWG à 1000 kcmil


Cuivre.....4 AWG à 1000 kcmil


## Utilisation

<b>⚠️ AVERTISSEMENT</b>
<p>Vérifiez l'outil avant de l'utiliser. Remplacez les pièces usées ou endommagées. Un outil endommagé ou monté incorrectement peut se briser et blesser des personnes se tenant à proximité.</p> <p>L'inobservation de cette consigne pourrait entraîner des blessures graves, voire mortelles.</p>

<b>⚠️ AVERTISSEMENT</b>
 <p>Risque d'électrocution :</p> <p>Cet outil n'est pas isolé. Utilisez de l'équipement protecteur adéquat lorsque vous vous servez de cet outil sur ou à proximité de lignes électriques sous tension.</p> <p>L'inobservation de cette consigne pourrait entraîner des blessures graves, voire mortelles.</p>

<b>⚠️ AVERTISSEMENT</b>
 <p>Nous vous conseillons de porter des lunettes de protection lors de l'utilisation ou de l'entretien de cet outil.</p> <p>Le fait de ne pas porter des lunettes de protection pourrait entraîner des blessures oculaires graves causées par la projection de débris ou d'huile hydraulique.</p>

<b>⚠️ AVERTISSEMENT</b>
 <p>Risque d'injection sous-cutanée :</p> <ul style="list-style-type: none"> <li>N'utilisez jamais vos mains pour déterminer l'emplacement d'une fuite.</li> <li>Veillez à dépressuriser le système hydraulique avant d'en effectuer l'entretien.</li> </ul> <p>Un jet d'huile sous pression peut facilement percer la peau et entraîner de graves blessures, la gangrène, voire la mort. Si vous êtes blessé par un jet d'huile, consultez immédiatement un docteur.</p>

<b>⚠️ AVERTISSEMENT</b>
 <p>Points de pincement :</p> <p>Garder les mains à bonne distance de la tête de l'outil de sertissage pendant son utilisation.</p> <p>L'inobservation de cette consigne pourrait entraîner des blessures graves, voire mortelles.</p>

<b>⚠️ AVERTISSEMENT</b>
<p>Un sertissage incomplet peut être une cause d'incendie.</p> <ul style="list-style-type: none"> <li>Utiliser la combinaison correcte de connecteur et de câble. Des combinaisons incorrectes peuvent avoir pour résultat un sertissage incomplet.</li> <li>Une pression de poignée qui se réduit subitement indique un sertissage terminé. Si la pression de poignée ne se réduit pas subitement, le sertissage est incomplet.</li> </ul> <p>L'inobservation de ces avertissements pourrait entraîner des blessures graves, voire mortelles.</p>

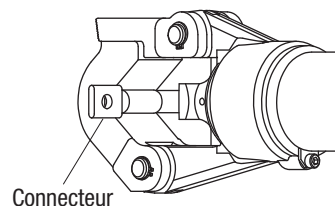
<b>IMPORTANT</b>
<p>Pour un sertissage homologué cUL ou UL, se reporter au tableau des connecteurs dans ce manuel d'instructions.</p>

## Préparation

- Sélectionner un connecteur dont la taille et le type correspondent au fil ou câble.
  - Dénuder le câble sur la longueur appropriée. Suivre les instructions du fabricant du connecteur.
- Remarque : Appliquer si nécessaire un inhibiteur d'oxyde. Se reporter aux instructions du fabricant du connecteur.*

## Sertissage

- Insérer le câble complètement dans le connecteur.
- Placer le connecteur dans le V de la tête de sertissage, comme illustré ci-dessous.



## Utilisation (suite)

### Sertissage (suite)

3. Si la tête de sertissage est ouverte, la fermer. Vérifier que la tête et le verrou ou sont entièrement engagés.
4. Dans le cas d'un sertissage homologué cUL ou UL, effectuer le nombre de sertissages spécifiés dans le tableau des connecteurs ci-dessous.
5. Pour effectuer un sertissage unique, placer le connecteur de manière à sertir au centre du cylindre. Pour effectuer un double sertissage, placer le connecteur pour que les deux sertissages soient à une distance égale des marques du connecteur.
6. Pomper la poignée pour faire avancer le pénétrateur. Continuer à pomper jusqu'à ce que le clapet de surpression de la poignée s'ouvre.
7. Relâcher le pénétrateur en tournant la poignée comportant la pompe dans le sens horaire jusqu'à la position ouverte et en fermant la poignée pour ouvrir le clapet de surpression. Continuer à maintenir fermée la poignée de la pompe afin d'extraire complètement le pénétrateur.
8. Soulever le verrou pour ouvrir la tête de sertissage et enlever le connecteur.
9. Après avoir terminé le dernier sertissage sur un connecteur en aluminium, essuyer l'excès d'inhibiteur d'oxyde.

*Remarque : Le relâchement de pression est indiqué par un petit son « d'éclatement » audible. Une réduction subite de pression sur la poignée indique également un sertissage terminé.*

*Remarque : S'il s'avère nécessaire de retirer le pénétrateur avant d'avoir terminé le cycle de sertissage, soulever la poignée de la pompe, tourner dans le sens horaire et fermer la poignée pour activer le clapet de surpression et retirer le pénétrateur.*

### Sertissages homologués cUL et UL

Les sertissages effectués par un outil de sertissage sans matrice HK12ID de Greenlee sont homologués pour les câbles coaxiaux standard, comprimés, en cuivre torsadé compact et en aluminium avec les connecteurs figurant dans la liste. Se reporter au tableau des connecteurs pour connaître les marques et les numéros de modèles des connecteurs appropriés et le nombre de sertissages requis.



### Tableau des connecteurs

Type de connecteur en cuivre		Anderson	Blackburn®	Burndy	ILSCO	Panduit	T & B	Penn-Union	Tyco (AMP)
Épaisseurs en cuivre		VHSS VHS	CSP CU	YS-L YS	CT CTL	SCSS SCS SCL, SCH	54506 à 54528 54806 à 54828	BCU BBCU	—
Cosses en cuivre		VHCS VHCL	CTL CTL-L LCN	YA, YA-L, YA-2L YA-2LN, YA-2N YA-L-TC, YA-L-2TC YA-2TC, YAZ YAZ-2N, YAZ-2TC	CLN, CLW, CSW CRA, CRB, CRC CRA-L, CRB-L CRA-2L CRB-2L CRC-2L	LCAS LCA LCB LCD, LCC LCAN	54106 à 54128 54206 à 54228 54906BE à 54928BE 54854BE à 54882BE	BLU BBLU	1099898-2 à 1-1099898-5, 1099899-2 à 1-1099899-9, 1099939-1 à 1-1099939-5
<b>Nombre de sertissages*</b>	Taille du câble en cuivre : 4 AWG à 1000 kcmil	1	1	1	1	1	1	1	1

Type de connecteurs en aluminium		Anderson	Blackburn®	Burndy	ILSCO	Panduit	T & B	Penn-Union
Épaisseurs en aluminium à double caractéristique nominale		VACS	ASP	YS-A	AS	SA	60507 à 60584	PIK BCUA
Cosses en aluminium à double caractéristique nominale		VACL	ATL	YA-A YA-A-TN	ACL, ACN 2ACL, 2ACN	LAA LAB	60106 à 60184 60230 à 60284	BLUA
<b>Nombre de sertissages*</b>	Taille du câble : 6 AWG à 500 kcmil	1	1	1	1	1	1	1
	Taille du câble : 600 kcmil à 800 kcmil	2	1	1	1	2	1	1
	Taille du câble : 1000 kcmil	2	2	2	2	2	2	2

\* Lorsqu'on effectue un sertissage avec l'outil de sertissage HK12ID, utiliser le nombre de sertissures figurant dans la liste de ce tableau plutôt que le nombre fourni avec le connecteur.

## Entretien


	<b>⚠️ AVERTISSEMENT</b>
	<p>Nous vous conseillons de porter des lunettes de protection lors de l'utilisation ou de l'entretien de cet outil.</p> <p>Le fait de ne pas porter des lunettes de protection pourrait entraîner des blessures oculaires graves causées par la projection de débris ou d'huile hydraulique.</p>

## Calendrier

### Chaque jour d'utilisation

*Avant d'utiliser :*

1. Inspecter le pénétrateur et la tête pour y détecter des signes d'usure ou de dommages, comme des fissures, des entailles, ou des déchiquetures.
2. Inspecter l'outil pour y détecter des dommages ou des fuites. Si un dommage est détecté, retourner l'outil à un centre de service autorisé de Greenlee pour fins d'inspection.

	<b>⚠️ AVERTISSEMENT</b>
	<p>Risque d'injection sous-cutanée :</p> <ul style="list-style-type: none"> <li>• N'utilisez jamais vos mains pour déterminer l'emplacement d'une fuite.</li> <li>• Veillez à dépressuriser le système hydraulique avant d'en effectuer l'entretien.</li> </ul> <p>Un jet d'huile sous pression peut facilement percer la peau et entraîner de graves blessures, la gangrène, voire la mort. Si vous êtes blessé par un jet d'huile, consultez immédiatement un docteur.</p>

*Après l'utilisation :*

1. Essuyer toutes les surfaces de l'outil avec un chiffon humide et un détergent doux.
2. Placer l'outil dans son étui de transport. Entreposer dans un endroit frais et sec.


### Mensuel

1. Nettoyer à fond toutes les surfaces.
2. Vérifier le niveau d'huile.
3. Huiler les joints mâles et femelles et les surfaces en métal qui coulissent.

**À chaque année après 10 000 cycles**

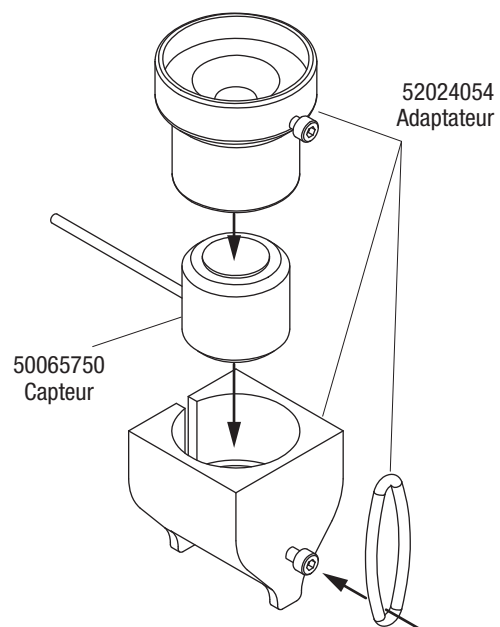
1. Changer l'huile hydraulique.
2. Retourner l'outil à un centre de service autorisé de Greenlee pour fins d'inspection.

### Vérification périodique du clapet de surpression

	<b>⚠️ AVERTISSEMENT</b>
	<p>Points de pincement :</p> <p>Garder les mains à bonne distance de la tête de l'outil de sertissage pendant son utilisation.</p> <p>L'inobservation de cette consigne pourrait entraîner des blessures graves, voire mortelles.</p>

Le clapet de surpression de l'outil de sertissage peut exiger de temps à autre un réglage du tarage. Pour déterminer si ce réglage s'avère nécessaire, vérifier périodiquement l'outil de sertissage avec un mesureur de force Greenlee modèle 50013408, un capteur 50065750 et un adaptateur 52024054 (achetés séparément).

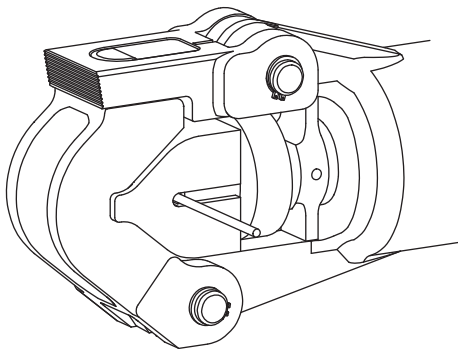
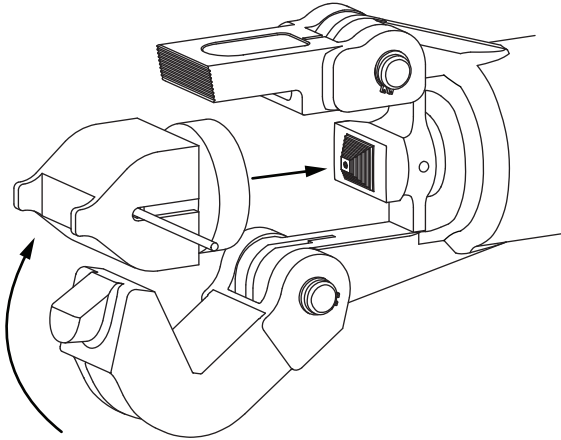
1. Installer le capteur 50065750 de Greenlee dans l'adaptateur 52024054, comme indiqué ci-dessous.



## Entretien (suite)

### Vérification périodique du clapet de surpression (suite)

2. Soulever le verrou pour ouvrir la tête de sertissage et installer l'adaptateur entre le pénétrateur et la tête de sertissage. Placer l'extrémité arrondie de l'adaptateur contre le pénétrateur et fermer la tête de sertissage contre les surfaces en V sur l'adaptateur, comme indiqué ci-dessous. Vérifier que la tête et le verrou ou sont entièrement engagés.



3. Connecter le câble du capteur au mesureur de force et calibrer le capteur selon les instructions d'utilisation fournies avec le mesureur de force 50013408.
4. Pomper la poignée pour faire avancer le pénétrateur jusqu'à ce que le clapet de surpression s'active. L'afficheur du mesureur de force doit indiquer une force de 107,8 à 110,8 kN (24 250 à 24 925 lb). Si la lecture de la force est hors de cette plage, envoyer l'outil de sertissage à un centre de service après-vente agréé pour le faire régler.

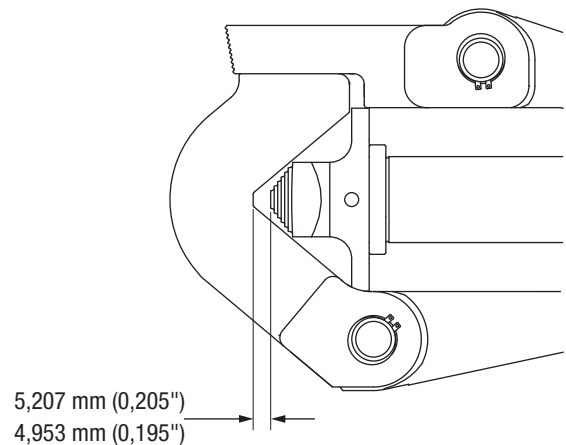
## IMPORTANT

Les réglages du clapet de surpression doivent être effectués par un centre de service autorisé.

### Vérification de la distance de sertissage

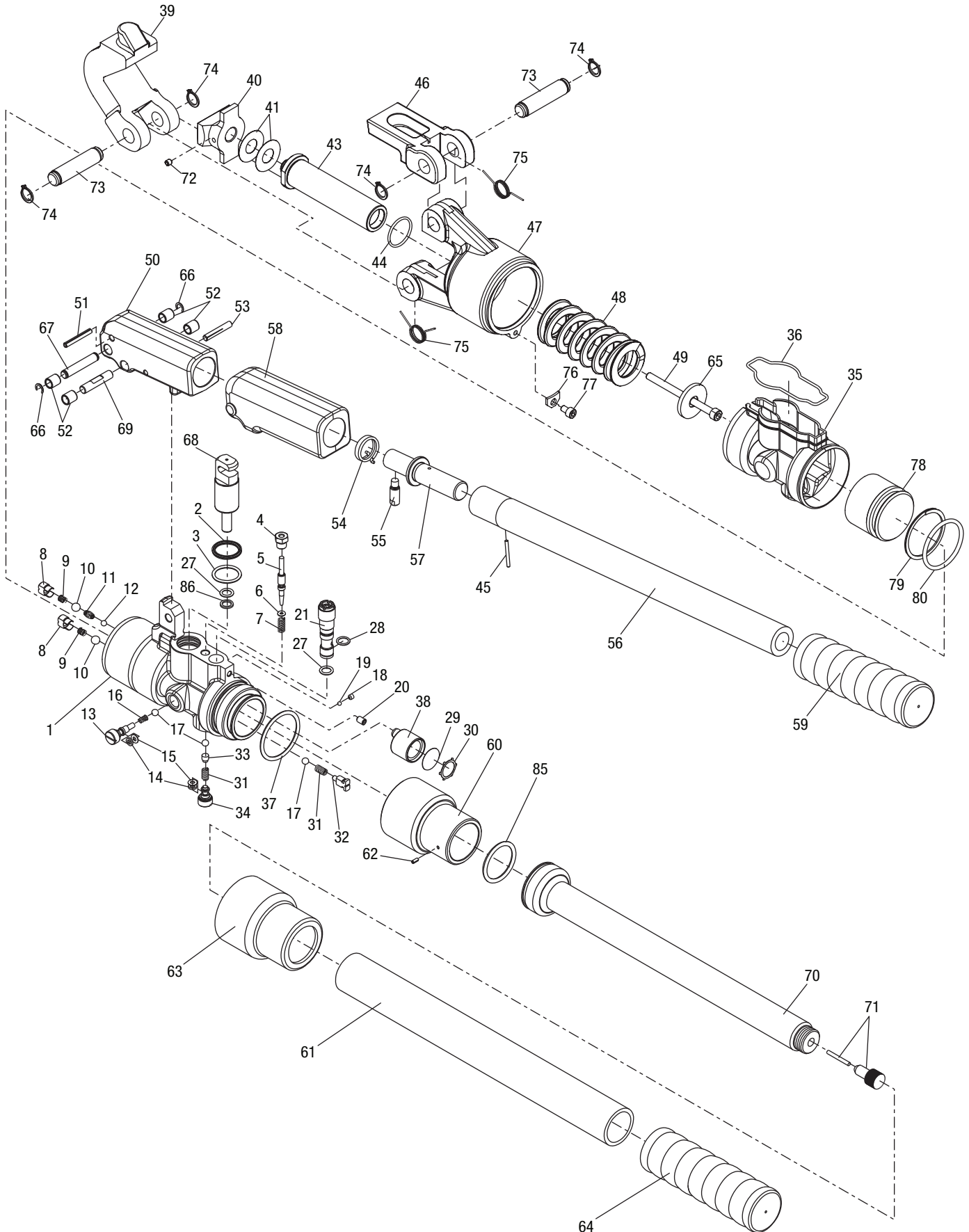
La distance de sertissage de cet outil est réglée en usine à une dimension précise pour assurer un sertissage homologué. La distance de sertissage pourrait exiger un nouveau calibrage, si le pénétrateur, la tête de sertissage ou d'autres composants de l'outil sont remplacés. Suivre les procédures ci-dessous pour vérifier et recalibrer la distance de sertissage.

1. Fermer la tête de sertissage et vérifier que le verrou et la tête complètement engagé.
2. Pomper la poignée au faire avancer le pénétrateur. Continuer à pomper la poignée jusqu'à ce que le pénétrateur et complète sa course et que la force de la poignée ait augmenté de façon significative.
3. Mesurer la distance entre le fond du pénétrateur et la tête, comme indiqué ci-dessous. La distance doit être de 4,953 mm to 5,207 mm (0,195 po to 0,205 po). Si la distance est hors de cette plage, enlever la vis de réglage (72) et le pénétrateur (40).
  - Pour augmenter la distance, enlever une bague d'espacement (41,42).
  - Pour réduire la distance, ajouter une bague d'espacement (41,42).



4. Installer le pénétrateur (40) et fixer solidement la vis de réglage (72).

**Illustration / Ilustración / Illustration**





## Parts List / Lista de piezas / Liste des pièces

Key	Part No.	Description	Qty	Key	Part No.	Description	Qty		
	1	52045466	Main body.....	1	58	50018019	Handle head cover.....	1	
◆	2		Backup ring.....	1	□	59	Plastic grip.....	1	
◆	3		O-ring.....	1	○	60	Body handle head.....	1	
	4	50018124	Release valve screw.....	1	○	61	Body handle.....	1	
	5	50018132	Release valve stem.....	1	○	62	Pin.....	1	
◆	6		O-ring.....	1	○	63	Reservoir handle cover.....	1	
◆	7		Spring.....	1	○	64	Plastic grip.....	1	
	8	50018191	Valve screw.....	2	65	50066900	End cap.....	1	
◆	9		Spring.....	2	■	66	Circlip.....	2	
◆	10		Ball.....	2	■	67	Pin.....	1	
◆	11		Spring.....	1	68	52045474	Input piston.....	1	
◆	12		Ball.....	1	■	69	Pin.....	1	
	13	50018264	Valve screw.....	1	70	50018558	Oil reservoir.....	1	
◆	14		Oil ring.....	2	71	50018566	Fill plug.....	1	
◆	15		O-ring.....	2	72	90523385	Screw, #10-32 x .25 set.....	1	
◆	16		Spring.....	1	73	52020513	Pivot pin.....	2	
◆	17		Ball.....	3	74	90513533	Retaining ring.....	4	
	18	50018426	Screw.....	1	75	50111230	Torsion spring.....	2	
◆	19		Ball.....	1	76	50066943	Stop.....	1	
	20	50018442	Screw.....	1	77	50043676	Screw, M5 x 8 mm SHC.....	1	
	21	50018167	Relief valve assembly.....	1	78	50067796	Piston.....	1	
◆	27		Backup ring.....	2	◆	79	Backup ring.....	1	
◆	28		O-ring.....	1	◆	80	O-ring.....	1	
	29	50018469	Oil screen.....	1	◆	85	50018540	O-ring.....	1
	30	50018477	Retaining ring.....	1	◆	86	O-ring.....	1	
◆	31		Spring.....	2	<b>Decals and Case (not shown)</b>				
	32	52027351	Valve screw.....	1	52047653	Connector chart decal (case lid liner)			
◆	33		Spring holder.....	1	52021715	Identification decal (tool)			
	34	50018523	Valve screw.....	1	52046228	Case decal (case lid)			
	35	52027354	Pump block cover.....	1	50062140	Pinch hazard warning decal (tool)			
	36	52027355	Cover retainer.....	1	52045464	Carrying case			
◆	37	52027501	O-ring.....	1	<b>Accessories (not shown)</b>				
	38	50018450	Induction valve.....	1	50013408	TC1SKIT test meter kit			
	39	52020275	Crimp head.....	1	50065750	TF130 sensor, load for 130 kN (29,225 lb)			
	40	52020277	Indenter.....	1	52024054	MA12ID adapter unit			
	41	52020512	Spacer, .010 x .997 x .549..... (as needed)		<b>Repair Kits</b>				
	43	52020510	Ram.....	1	◆	52046109	Repair seal kit		
	44	50066931	O-ring.....	1	□	52027504	Pump handle kit		
□	45		Pin.....	1	■	52027503	Pivot pin kit		
	46	52020273	Latch.....	1	○	52027506	Reservoir handle kit		
	47	52020271	Yoke.....	1					
	48	52020511	Ram spring.....	1					
	49	50066897	Screw, M6 x 80 mm SHC.....	1					
	50	50017969	Handle head.....	1					
■	51		Pin.....	1					
■	52		Bushing.....	4					
■	53		Pin.....	1					
	54	50018027	Return spring.....	1					
□	55		Release stud.....	1					
□	56		Pump handle.....	1					
□	57		Connector.....	1					



4455 Boeing Drive • Rockford, IL 61109-2988 • USA • 815-397-7070  
An ISO 9001 Company • Greenlee Textron Inc. is a subsidiary of Textron Inc.

[www.greenlee.com](http://www.greenlee.com)

**USA** Tel: 800-435-0786  
Fax: 800-451-2632

**Canada** Tel: 800-435-0786  
Fax: 800-524-2853

**International** Tel: +1-815-397-7070  
Fax: +1-815-397-9247