



| Item | Part Number      | Description                          |
|------|------------------|--------------------------------------|
| A    | <b>AP450-048</b> | 10" Dia. Stainless Steel Shower Head |
| B    | <b>320-08E</b>   | 1" IPS Stainless Steel Elbow         |

| Shower Valve Assembly |                   |   |
|-----------------------|-------------------|---|
| C                     | <b>AP620-335H</b> | 1" IPS Stainless Steel Stay-Open Ball Valve, Single Activation. Furnished with stainless steel actuating arm. |

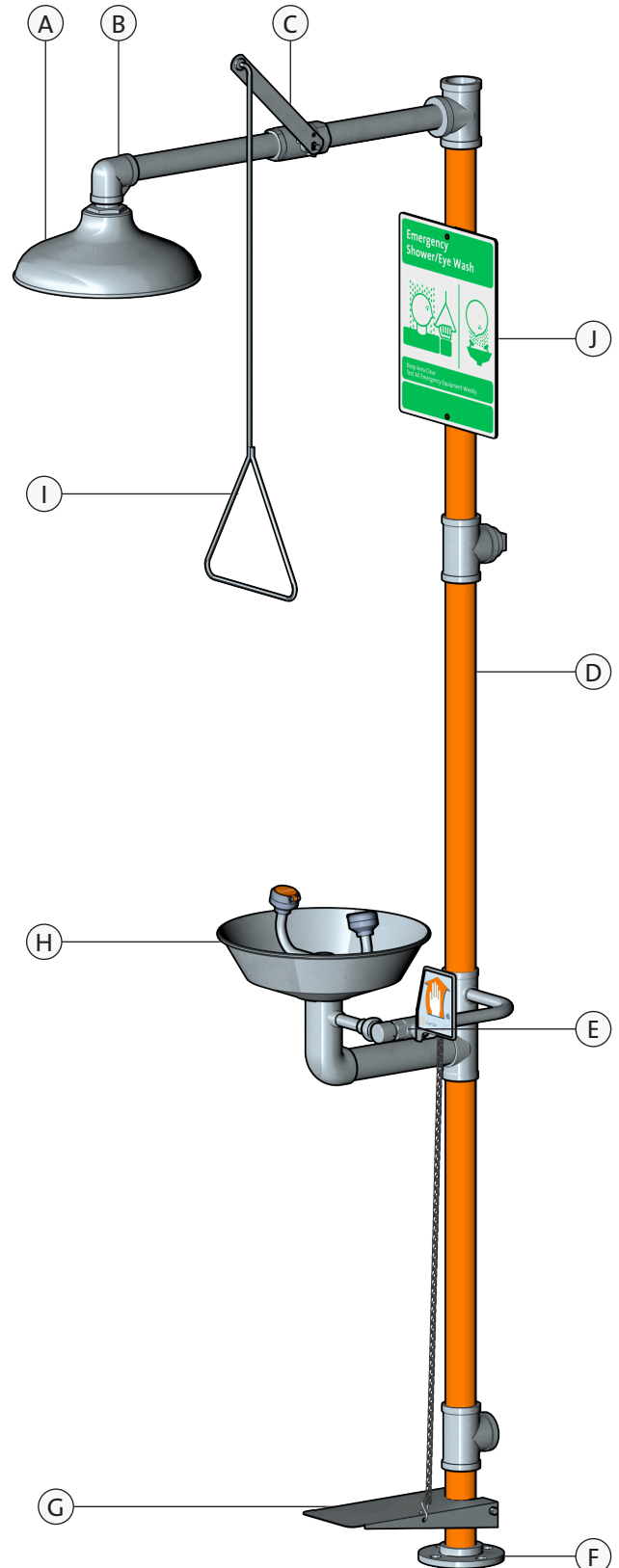
| Pipe Packs |                  |   |
|------------|------------------|---|
| D          | <b>AP520-100</b> | Stainless Steel Pipe Pack for Units with Eyewash Bowl |
|            | <b>AP520-170</b> | Stainless Steel Pipe Pack for Barrier-Free Units      |
|            | <b>AP530-100</b> | Orange Pipe Covers                                    |

| Eyewash Valve Assemblies |                       |   |
|--------------------------|-----------------------|---|
| E                        | <b>AP620-101H</b>     | 1/2" IPS Stainless Steel Ball Valve with Stainless Steel Flag Handle                                  |
|                          | <b>AP620-101H-HFC</b> | 1/2" IPS Stainless Steel Ball Valve with Stainless Steel Flag Handle for Units with Hand/Foot Control |

|   |                    |   |
|---|--------------------|---|
| F | <b>320-10F</b>     | Stainless Steel Floor Flange, 1 1/4" NPT Female Connection              |
| G | <b>AP050-010SS</b> | Stainless Steel Foot Treadle and Return Spring with Aluminum Clevis Pin |
| H | <b>See Page 2</b>  | Eyewash and Eye/Face Wash Assemblies                                    |

| Shower Pull Rods |                  |                                  |
|------------------|------------------|----------------------------------|
| I                | <b>AP050-079</b> | 29" Stainless Steel Pull Rod     |
|                  | <b>AP050-080</b> | 47 1/2" Stainless Steel Pull Rod |

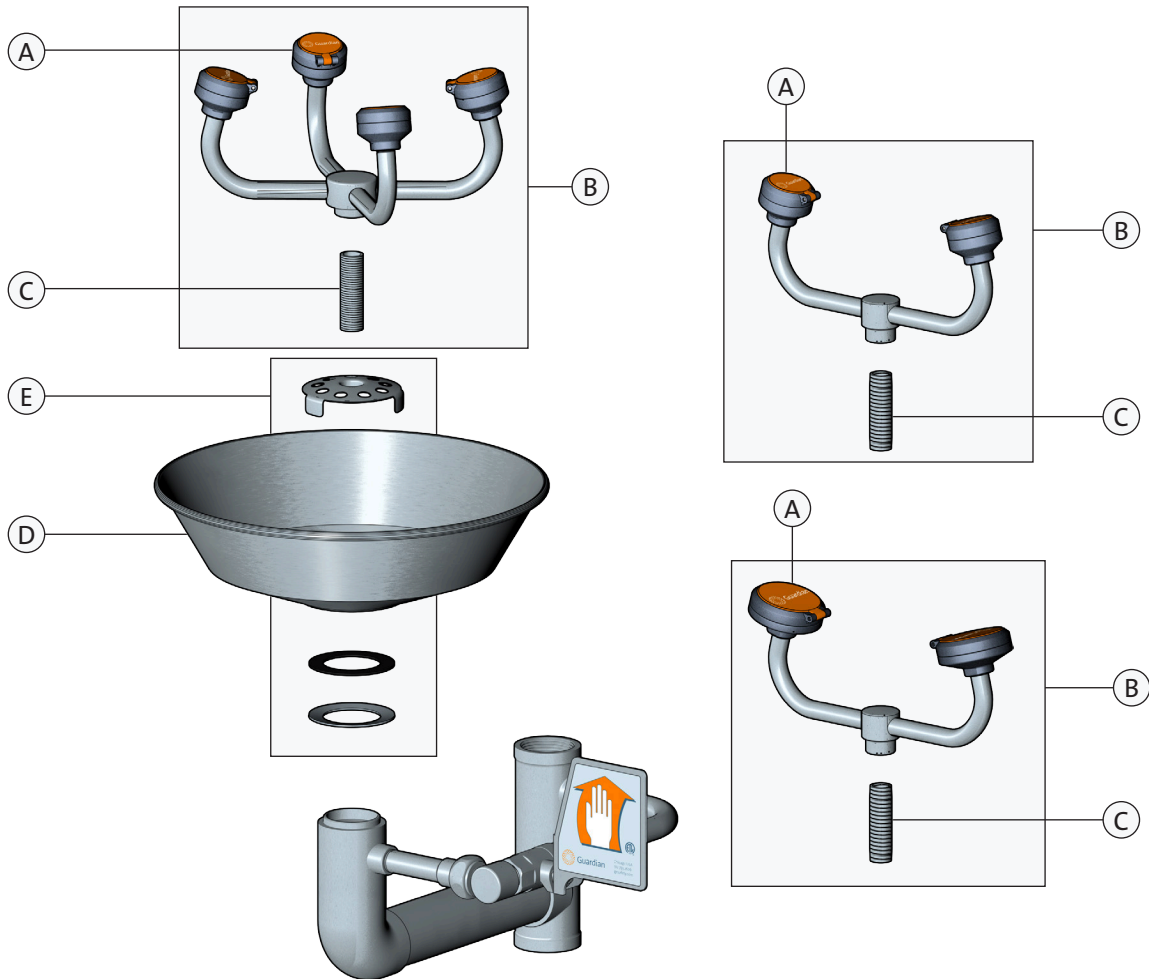
| Sign |                   |                               |
|------|-------------------|-------------------------------|
| J    | <b>AP250-008G</b> | Emergency Safety Station Sign |





| Item                          | Part Number          | Description   |
|-------------------------------|----------------------|---|
| <b>Spray Head Dust Covers</b> |                      |   |
| A                             | <b>470-001</b>       | GS-Plus™ Spray Head Assy.   |
|                               | <b>470-021</b>       | FS-Plus™ Spray Head Assy.   |
| <b>Outlet Assemblies</b>      |                      |   |
| B                             | <b>AP470-100SS-R</b> | (2) GS-Plus™ Spray Heads with Stainless Steel Fittings                        |
|                               | <b>AP470-110SS-R</b> | (2) FS-Plus™ Spray Heads with Stainless Steel Fittings                        |
|                               | <b>AP470-120SS-R</b> | (4) GS-Plus™ Spray Heads with Stainless Steel Fittings                        |
|                               | <b>AP470-127SS-R</b> | (4) GS-Plus™ Spray Heads with Stainless Steel Fittings for Barrier-Free Units |
| C                             | <b>SI130-02-04</b>   | 3/8" IPS X 2-1/4" Stainless Steel Shank                                       |

| Item   | Part Number       | Description   |
|--|-------------------|---|
| <b>Bowls</b>   |                   |   |
| D  | <b>100-008R</b>   | Stainless Steel Bowl                                  |
|  | <b>100-014R</b>   | Stainless Steel Bowl for Barrier-Free Units           |
|  | <b>100-008X</b>   | Stainless Steel Bowl with Neck                        |
|  | <b>100-014X</b>   | Stainless Steel Bowl with Neck for Barrier-Free Units |
| <b>Drain Plate Assemblies</b>                                |                   |   |
| E  | <b>AP150-012A</b> | Drain Plate Assembly for Plastic Bowls                |
|  | <b>AP150-012B</b> | Drain Plate Assembly for Stainless Bowls              |
| <i>Note: Includes Drain Plate, Cupped Washer, And Gasket</i> |                   |   |



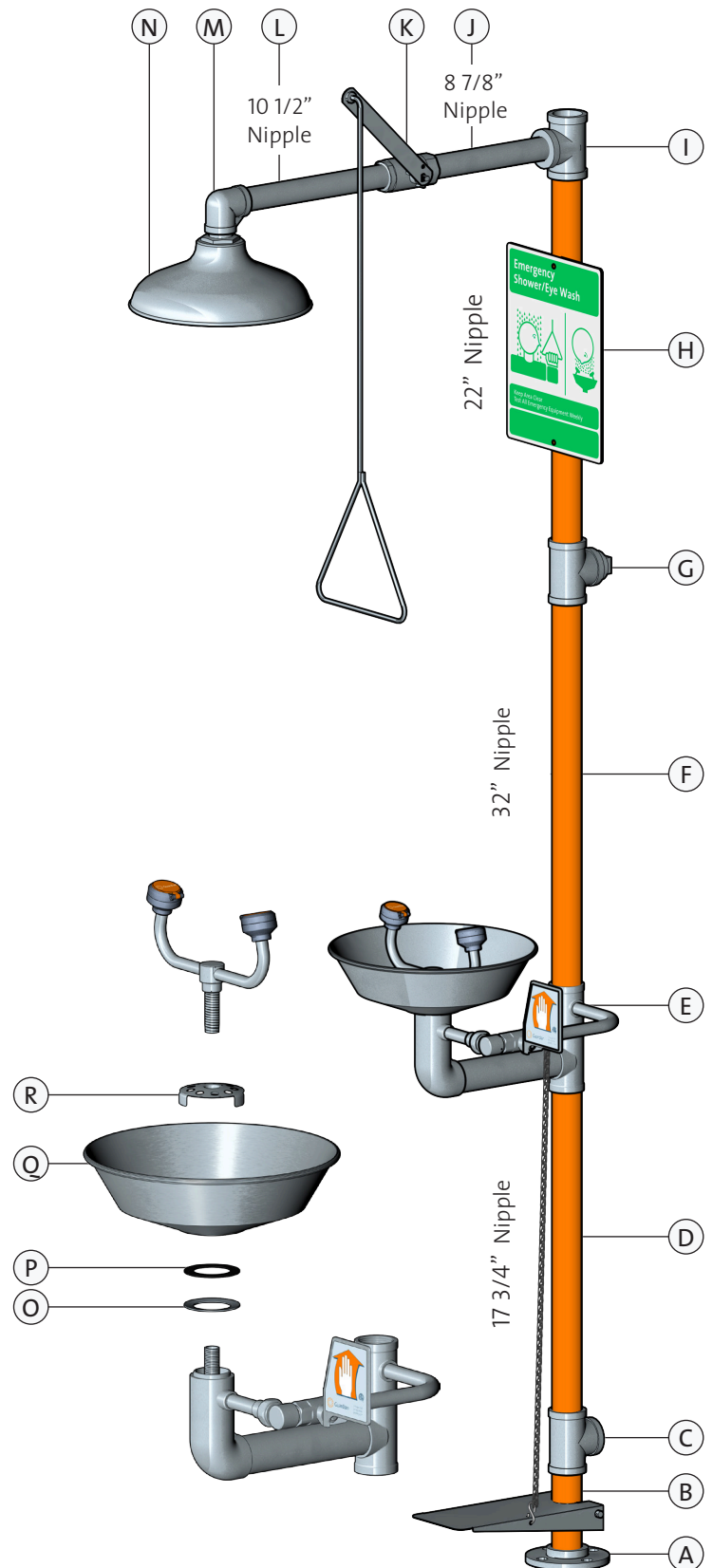


Safety stations are designed for easy assembly in the field. Essentially, these units are assembled from the “bottom up”, as described below:

1. Assemble floor flange (A), 1 1/4” IPS x 6 5/8” plugged nipple (B), and outlet tee (C). If unit has a foot treadle, the floor flange and treadle are pre-assembled. Position foot treadle for proper access by users, and tee for connection to drain.
2. Assemble 1 1/4” IPS x 17 3/4” nipple (D) and frame assembly (E). Position frame assembly for proper access by users.
3. Assemble 1 1/4” IPS x 32” nipple (F) and inlet tee (G). Position tee for connection to supply. If the top vertical inlet will be employed, plug tee with supplied 1 1/4” IPS square head plug.
4. Assemble 1 1/4” IPS x 22” nipple (H) and 1 1/4” x 1” IPS reducing inlet tee (I). Position tee forward for proper location of shower. If the back horizontal inlet will be employed, plug tee with supplied 1 1/4” IPS square head plug.
5. Assemble 1” IPS x 8 7/8” nipple (J), emergency shower valve (K), 1” IPS x 10 1/2” nipple (L), elbow (M), and shower head (N).
6. Place cupped, stainless steel washer (O), rubber gasket (P), and bowl (Q) onto waste receptor. Center components to assure a watertight seal.
7. Thread drain plate (R) down onto mounting shank as far as possible. If necessary, rotate bowl clockwise to draw drain plate down onto mounting shank.
8. Thread eye or eye/face wash spray head assembly onto mounting shank. Position outlet heads for proper access by user.
9. Secure entire unit to floor and/or wall for stability.
10. If unit has foot treadle, connect foot treadle chain to valve/handle assembly.
11. Attach orange plastic pipe wrap and sign.

### Notes:

1. All threads are tapered pipe and require pipe joint compound or Teflon tape to assure watertight connection.
2. If unit is furnished with corrosion-resistant powder coating, care must be taken to avoid damaging finish during assembly. For best results, a strap wrench should be used.
3. Test the entire unit for proper operation.
4. The use of dielectric unions is required when connecting to copper supply to avoid premature corrosion.





## Each spray head features:

- Tough polypropylene plastic construction
- Highly visible integrated nylon dust cover
- Easily accessible 1.8 GPM (GS-Plus™) or 3.2 GPM (FS-Plus™) flow controls.
- Dense (60 pore per inch) polyurethane filter
- Unique design provides a consistently soft, full spray of water across a range of working pressures from 30 to 100 PSI

| Item | Part Number       | Description                     |
|------|-------------------|---------------------------------|
| A    | <b>AP470-001</b>  | GS-Plus™ Spray Head (assembled) |
| B    | <b>AP470-002R</b> | Dust Cover and Cap Assembly     |
| C    | <b>470-004R</b>   | 60 PPI Polyurethane Filter      |
| D    | <b>470-005R</b>   | 1.8 GPM Flow Control            |
| E    | <b>AP470-021</b>  | FS-Plus™ Spray Head (assembled) |
| F    | <b>AP470-022R</b> | Dust Cover and Cap Assembly     |
| G    | <b>470-024R</b>   | 60 PPI Polyurethane Filter      |
| H    | <b>470-025R</b>   | 3.2 GPM Flow Control            |

