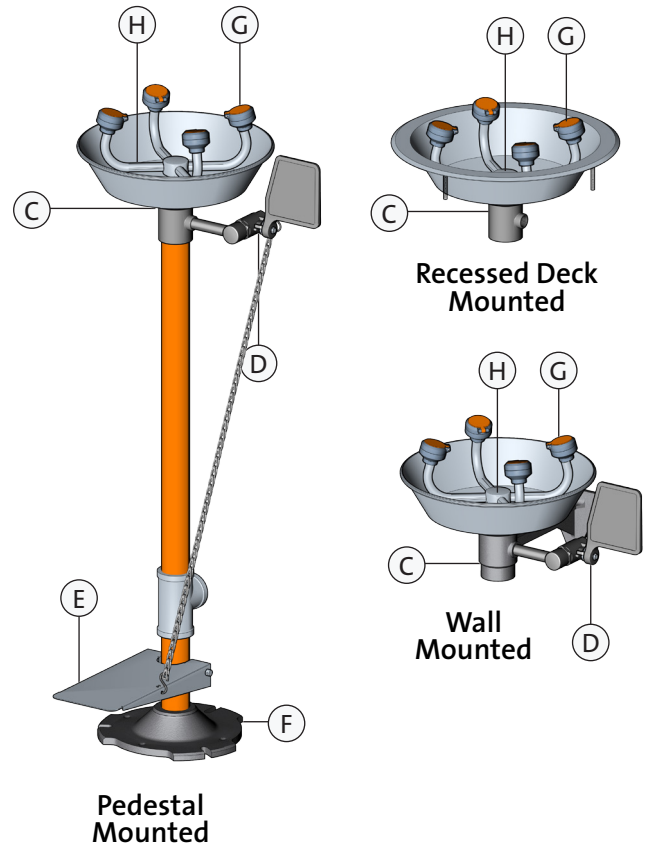
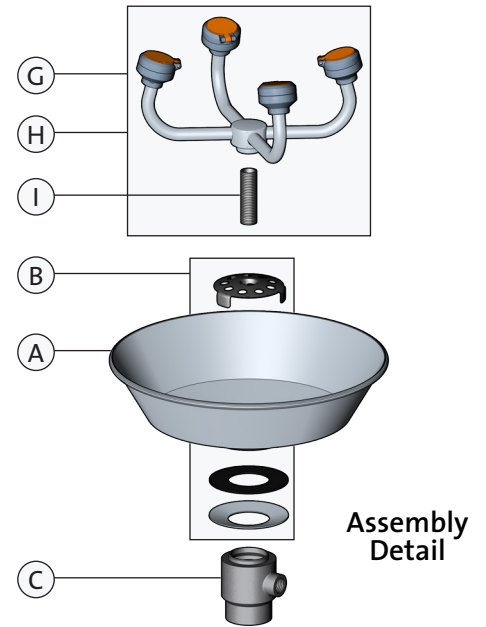




Item	Part Number	Description
<b>Bowls</b>		
A	<b>100-009ORG-R</b>	Orange ABS Plastic Bowl
	<b>100-009GRN-R</b>	Green ABS Plastic Bowl
	<b>100-009YEL-R</b>	Yellow ABS Plastic Bowl
	<b>100-008R</b>	Stainless Steel Bowl
	<b>AP100-011A</b>	Stn. Stl. Flanged Bowl For Deck Mount
<b>Drain Plate Assemblies</b>		
B	<b>AP150-012A</b>	Drain Plate Assembly for Plastic Bowls
	<b>AP150-012B</b>	Drain Plate Assembly for Stainless Bowls
<i>Note: Includes Drain Plate, Cupped Washer, And Gasket</i>		
<b>Waste Receptors</b>		
C	<b>150-014E-2</b>	Cast Aluminum Waste Receptor for Wall Mount Units
	<b>150-066-2</b>	Cast Aluminum Waste Receptor for Pedestal Units
<b>Ball Valve Assemblies</b>		
D	<b>AP600-101H</b>	1/2" IPS Stay-Open Chrome Plated Brass Ball Valve with Flag Handle, Horizontal
	<b>AP600-101V</b>	1/2" IPS Stay-Open Chrome Plated Brass Ball Valve with Flag Handle, Vertical
	<b>AP600-101H-HFC</b>	1/2" IPS Stay-Open Chrome Plated Brass Ball Valve with Flag Handle, for Hand/ Foot Control, Horizontal
	<b>AP600-101V-HFC</b>	1/2" IPS Stay-Open Chrome Plated Brass Ball Valve with Flag Handle, for Hand/ Foot Control, Vertical
	<b>AP600-104</b>	1/2" IPS Brass Stay-Open Ball Valve, Push-Down Control
E	<b>AP050-010</b>	Stainless Steel Foot Treadle and Return Spring with Aluminum Clevis Pin
F	<b>150-032</b>	Powder Coated Cast Aluminum Floor Flange, 1-1/4" NPT Female Connection
G	<b>AP470-001</b>	GS-Plus™ Spray Head Assy.
H	<b>AP470-120R</b>	(4) GS-Plus™ Spray Heads with Chrome Plated Brass Fittings
I	<b>BI136-02-04</b>	3/8" IPS X 2-1/4" Brass Shank

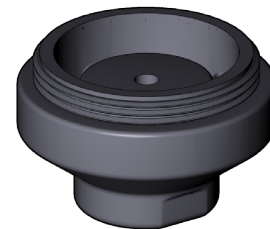
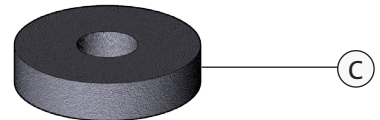
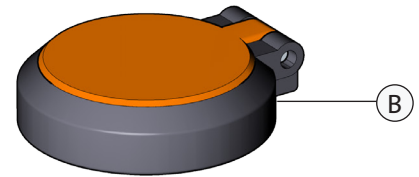
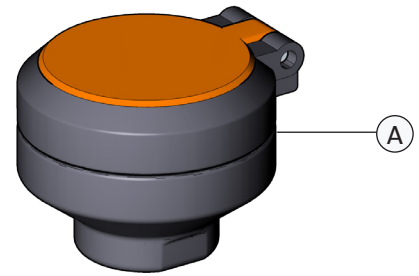




This guardian equipment product is equipped with GS-Plus™ spray heads. Each head features:

- Tough polypropylene plastic construction
- Highly visible integrated nylon dust cover
- Easily accessible 1.8 GPM flow control
- Dense (60 pore per inch) polyurethane filter
- Unique design provides a consistently soft, full spray of water across a range of working pressures from 30 to 100 PSI.

Item	Part Number	Description
A	<b>AP470-001</b>	GS-Plus™ Spray Head (assembled)
B	<b>AP470-002R</b>	Dust Cover and Cap Assembly
C	<b>470-004R</b>	60 PPI Polyurethane Filter
D	<b>470-005R</b>	1.8 GPM Flow Control



### IMPORTANT

In order to operate properly, the flow control must be inserted into the body *concave end first*.

