

A company dedicated to solving ergonomic and material handling problems since 1955.

Loading Dock Equipment

OWNER'S MANUAL

DOCK SEALS

MODELS D-150 & D-350

Contents

| | | | |
|---------------------------------|---|---------------------|---|
| Materials List | 1 | Parts Drawing | 2 |
| Receiving Instructions | 1 | Parts List..... | 2 |
| Installation Instructions | 1 | | |

MATERIALS INCLUDED IN BASE KIT

- 1 Dock Seal Top
- 2 Dock Seal Sides
- 5 Angle Brackets
- 6 Flat Brackets
- 7 Wall Bolts with Nuts
- 22 Wood Lag Screws
- 14 3/8" Nuts
- 14 Flat Washers

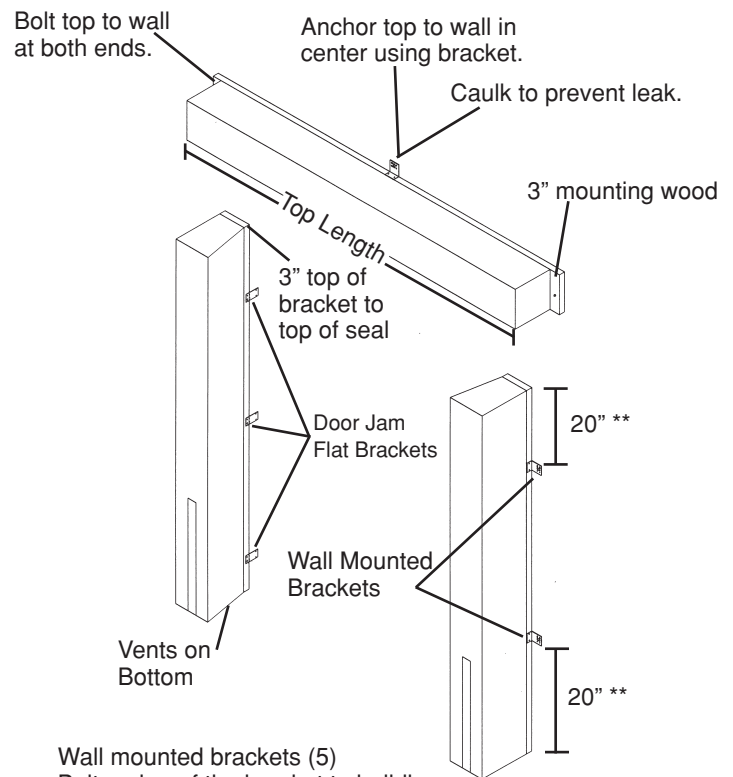
* All buildings and installations are unique. Actual hardware needed may vary.

RECEIVING INSTRUCTIONS

Every unit is thoroughly tested and inspected prior to shipment. However, it is possible that the unit may incur damage during transit. If damage is noticed when unloading, make a note of it on the BILL OF LADING. Remove all packing and strapping material, then inspect the unit again for damage. IF DAMAGE IS EVIDENT, FILE A CLAIM WITH THE CARRIER IMMEDIATELY!

INSTALLATION

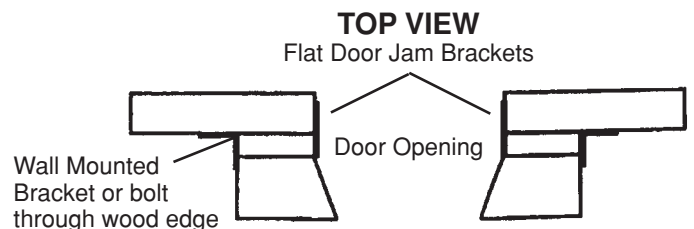
1. Mount side pieces with vents at bottom.
2. The top piece is identifiable because it does not have vents on either end.
3. Measure the length of the top foam to determine the outside width dimension.
4. Installation of the sides first is recommended. It is easier to install all brackets on sides prior to erection.
5. Install top with at least one (1) bolt at each end and one (1) in the center.
6. For best seal, caulk around perimeter.



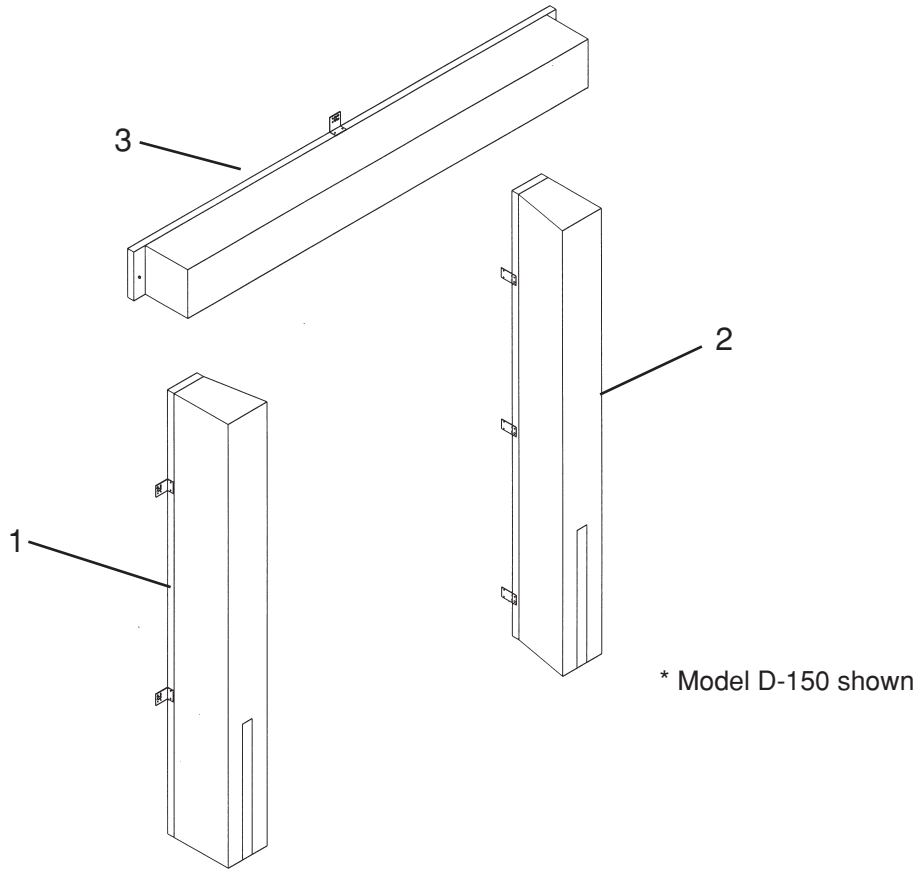
Wall mounted brackets (5)
 Bolt on leg of the bracket to building
 Bolt other leg to side of dock seal using the two lag bolts provided.

Door jamb brackets (6)
 Fasten one side to bracket to door jamb and lag bolt the other side to the mounting board using the two lag bolts provided, See Section A-A

D-150 shown.
 Distance may vary depending on building structure.
 ** Dimensions are approximate recommendations.



PARTS DRAWING DOCK SEALS



| Item No. | Description | Part No. | Qty. |
|----------|---|---------------|------|
| 1a | D-150 Right Side Replacement (10" projection) | D150-10-RS | 1 |
| 1b | D-150 Right Side Replacement (20" projection) | D150-20-RS | 1 |
| 1c | D-350 Right Side Replacement (10" projection) | D350-10-RS | 1 |
| 1d | D-350 Right Side Replacement (20" projection) | D350-20-RS | 1 |
| 2a | D-150 Left Side Replacement (10" projection) | D150-10-LS | 1 |
| 2b | D-150 Left Side Replacement (20" projection) | D150-20-LS | 1 |
| 2c | D-350 Left Side Replacement (10" projection) | D350-10-LS | 1 |
| 2d | D-350 Left Side Replacement (20" projection) | D350-20-LS | 1 |
| 3a | D-150 Top Replacement (10" projection) | D150-10-TOP | 1 |
| 3b | D-150 Top Replacement (20" projection) | D150-20-TOP | 1 |
| 3c | D-350 Top Replacement (10" projection) with 12" flap | D350-10-TOP | 1 |
| 3d | D-350 Top Replacement (20" projection) with 12" flap | D350-20-TOP | 1 |
| 4 | Installation Hardware Kit (not shown) (includes 5 angle brackets, 6 flat brackets, 5 wall bolt nuts, 22 wood lag screws) | D150/350-HDWR | 1 |

* Contact factory for information on custom sizes.

* Product safety signs or labels should be periodically inspected and cleaned by the product users as necessary to maintain good legibility for safe viewing distance. ANSI 535.4 (10.21) Contact manufacturer for replacement labels.