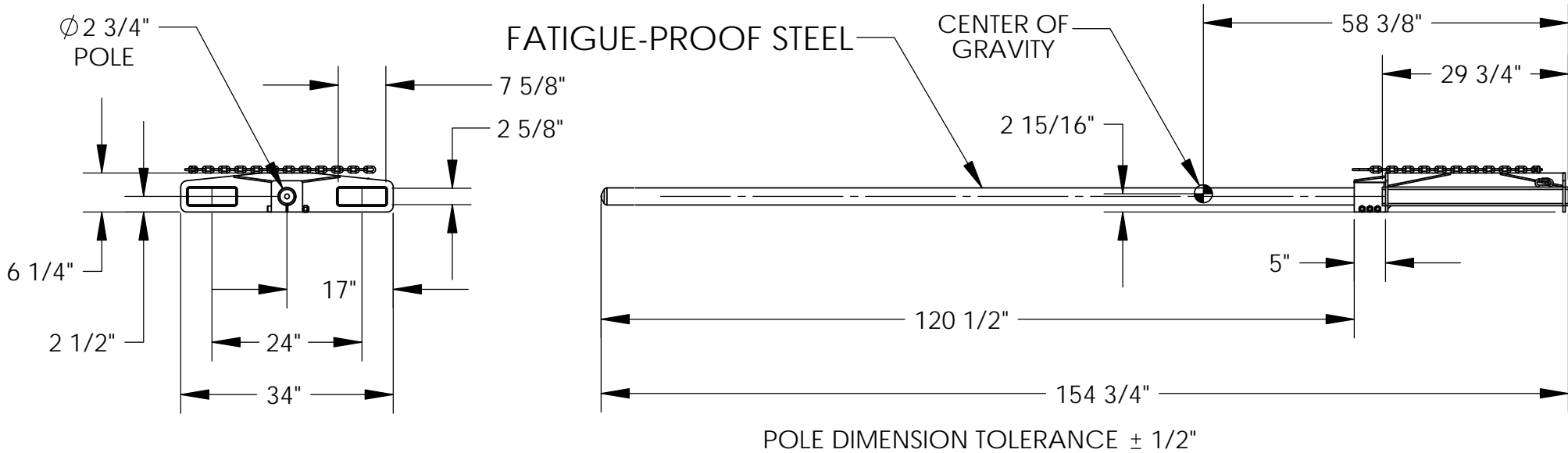


FORK MOUNTED RUG-RAM - CRF-120

APPROX WEIGHT: 373.18 lbs.
 DOES NOT INCLUDE WEIGHT OF POWER OR PACKAGING!!!



HORIZONTAL CENTER OF GRAVITY: 58 3/8"
 VERTICAL CENTER OF GRAVITY: 2 15/16"
 LOST LOAD: 380 LBS. (APPROX.)

NOTE: NEVER EXCEED LOAD CENTER RATING PER FORK TRUCK MANUFACTURER'S GUIDELINES. DO NOT USE THIS FORK TRUCK ATTACHMENT IF LOAD WILL EXCEED FORK TRUCK MANUFACTURER'S LOAD CENTER RATING.

STANDARD FEATURES

- MODEL NUMBER: CRF-120
- CAPACITY: 2,200 LBS. UNIFORM CAPACITY
- POLE LENGTH: 120 1/2"
- POLE DIAMETER: 2 3/4"
- FORK POCKETS ARE 7 5/8" W x 2 5/8" H
- USABLE ON 24" FORK CENTERS
- WITH SAFETY CHAIN TO SECURE TO THE UNIT TO THE MAST OF THE FORK TRUCK

SPECIAL FEATURES

NONE

		X
		W.O.# X
DRAWN BY: BJW	DATE: 1/12/2008	SALES: X
REFERENCE: X	SCALE: 1:24	FILE NAME:
QUOTED LEAD TIME: X	QUOTE # X	08-007-157