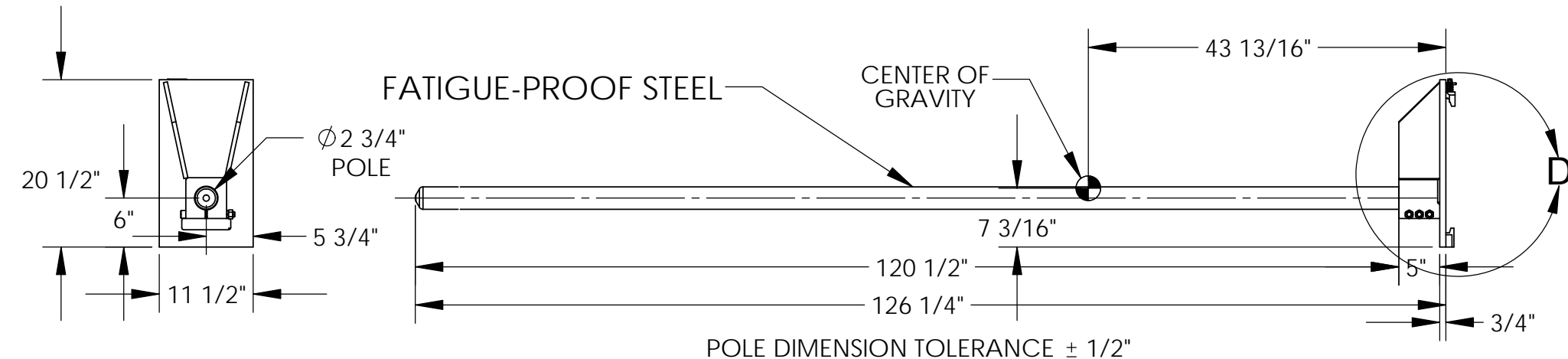


CLASS II CARRIAGE MOUNTED RUG-RAM - CR-120-2

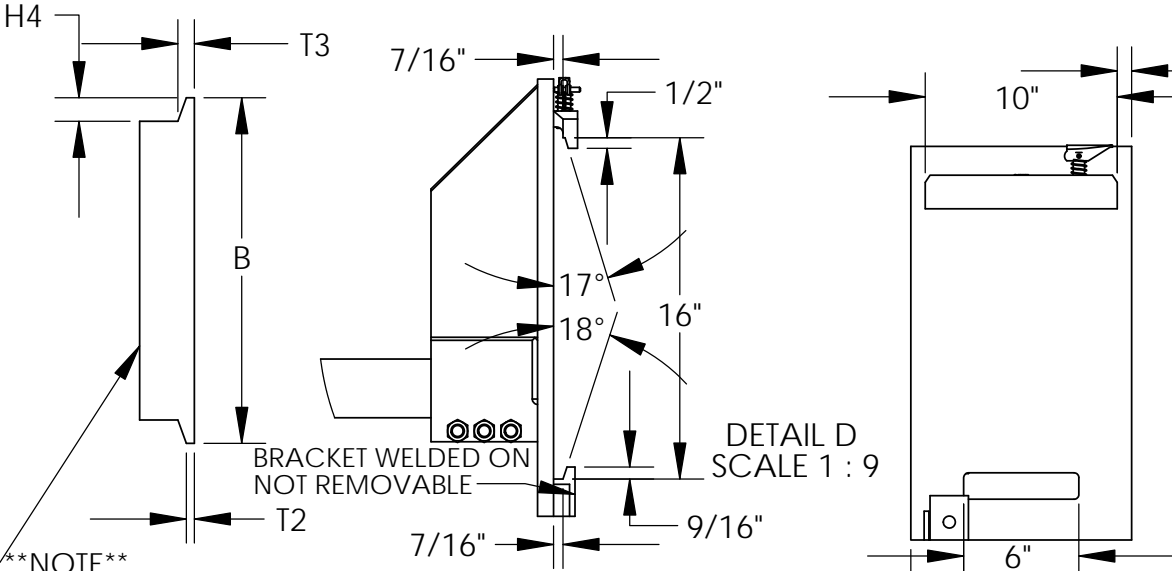
APPROX WEIGHT: 297.43 lbs.
DOES NOT INCLUDE WEIGHT OF POWER OR PACKAGING!!!



POLE DIMENSION TOLERANCE $\pm 1/2$ "

HORIZONTAL CENTER OF GRAVITY: 43 13/16"
VERTICAL CENTER OF GRAVITY: 7 3/16"
LOST LOAD: 298 LBS. (APPROX.)

NOTE: NEVER EXCEED LOAD CENTER RATING PER FORK TRUCK MANUFACTURER'S GUIDELINES. DO NOT USE THIS FORK TRUCK ATTACHMENT IF LOAD WILL EXCEED FORK TRUCK MANUFACTURER'S LOAD CENTER RATING.



DETAIL D
SCALE 1 : 9

****NOTE****
DUE TO VARIATIONS IN FORK TRUCK CARRIAGES, PLEASE HAVE THE CUSTOMER VERIFY THAT THEIR CARRIAGE WILL CONFORM TO THE DIMENSIONS SHOWN TO THE RIGHT. IF NOT, PLEASE HAVE THE CUSTOMER VERIFY DIMENSIONS B, T2, T3 & H4 TO BE ABLE TO QUOTE A SPECIAL BACKPLATE TO FIT.

SPECIAL FEATURES

NONE

STANDARD FEATURES

- MODEL NUMBER: CR-120-2
- CAPACITY: 2,200 LBS. UNIFORM CAPACITY
- POLE LENGTH: 120 1/2"
- POLE DIAMETER: 2 3/4"
- FITS CLASS II CARRIAGE

		X
		W.O.# X
DRAWN BY: BJW	DATE: 1/12/2008	SALES: X
REFERENCE: X	SCALE: 1:18	FILE NAME:
QUOTED LEAD TIME: X	QUOTE # X	08-007-101