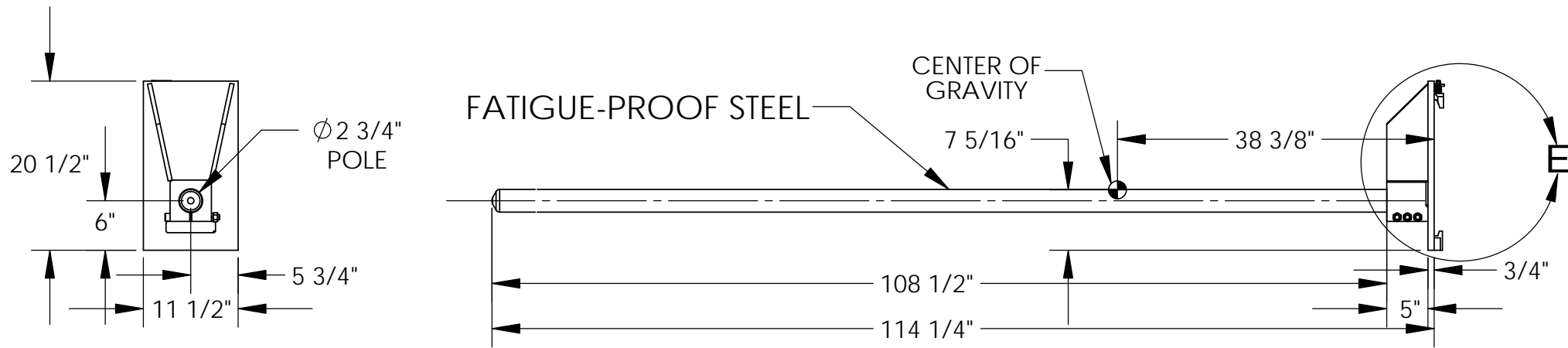


# CLASS II CARRIAGE MOUNTED RUG-RAM - CR-108-2

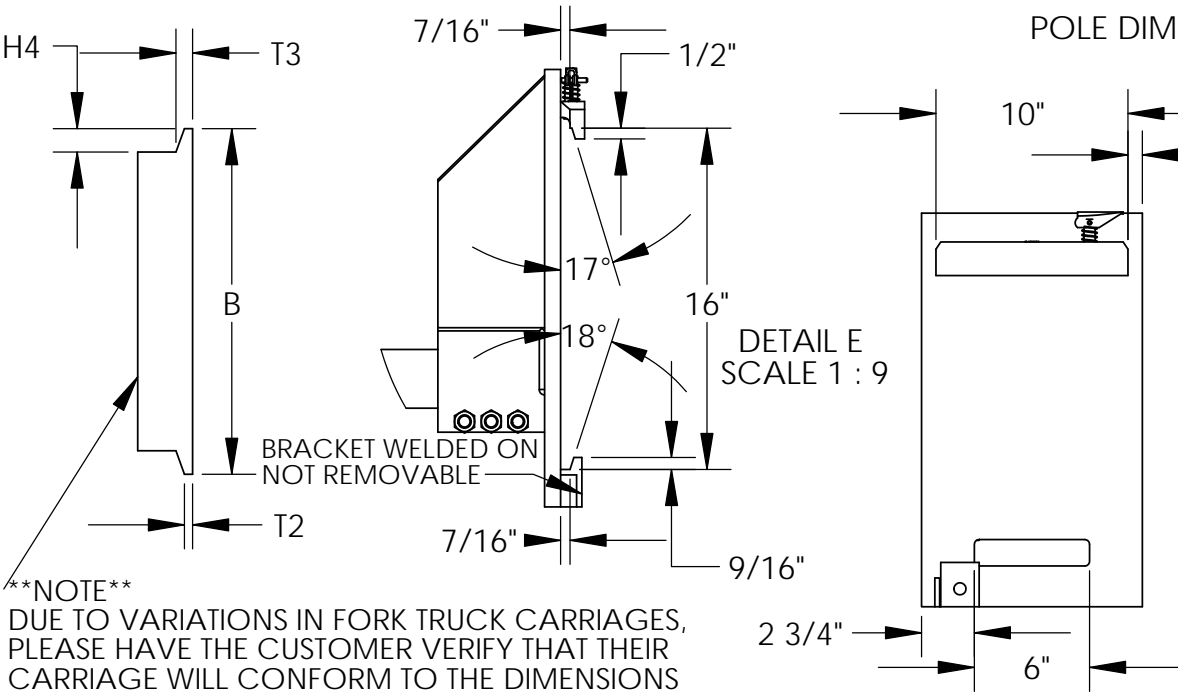
APPROX WEIGHT: 277.35 lbs.  
 DOES NOT INCLUDE WEIGHT OF POWER OR PACKAGING!!!



POLE DIMENSION TOLERANCE  $\pm 1/2"$

HORIZONTAL CENTER OF GRAVITY: 38 3/8"  
 VERTICAL CENTER OF GRAVITY: 7 5/16"  
 LOST LOAD: 277 LBS. (APPROX.)

NOTE: NEVER EXCEED LOAD CENTER RATING PER FORK TRUCK MANUFACTURER'S GUIDELINES. DO NOT USE THIS FORK TRUCK ATTACHMENT IF LOAD WILL EXCEED FORK TRUCK MANUFACTURER'S LOAD CENTER RATING.



**SPECIAL FEATURES**  
 NONE

## STANDARD FEATURES

MODEL NUMBER: CR-108-2  
 CAPACITY: 2,500 LBS. UNIFORM CAPACITY  
 POLE LENGTH: 108 1/2"  
 POLE DIAMETER: 2 3/4"  
 FITS CLASS II CARRIAGE

DISTRIBUTOR'S NAME:		P.O.#	X
		W.O.#	X
DRAWN BY: BJW	DATE: 1/12/2008	SALES:	X
REFERENCE: X	SCALE: 1:18	FILE NAME:	
QUOTED LEAD TIME: X	QUOTE #	X	08-007-100