



Model MCS

INSTALLATION, OPERATION AND MAINTENANCE INSTRUCTIONS

Table of Contents

SUBJECT	PAGE
Safety Instructions	3
Important	3
Installation	3
Suction Piping	3
Discharge Piping.....	4
Rotation	4
Operation.....	4
Maintenance.....	4
Disassembly.....	4
Reassembly	4
Troubleshooting	5
Parts List	6
Mechanical Seal Application Chart.....	6
Limited Warranty	7
Declaration of Conformity	16

Owner's Information

Pump Model Number: _____

Pump Serial Number: _____

Dealer: _____

Dealer Phone No.: _____

Date of Purchase: _____

Date of Installation: _____

Current Readings at Startup:

1 Ø	3 Ø	L1-2	L2-3	L3-1
Amps: _____	Amps: _____	_____	_____	_____
Volts: _____	Volts: _____	_____	_____	_____

SAFETY INSTRUCTIONS

TO AVOID SERIOUS OR FATAL PERSONAL INJURY OR MAJOR PROPERTY DAMAGE, READ AND FOLLOW ALL SAFETY INSTRUCTIONS IN MANUAL AND ON PUMP.

THIS MANUAL IS INTENDED TO ASSIST IN THE INSTALLATION AND OPERATION OF THIS UNIT AND MUST BE KEPT WITH THE PUMP.



This is a **SAFETY ALERT SYMBOL**. When you see this symbol on the pump or in the manual, look for one of the following signal words and be alert to the potential for personal injury or property damage.



DANGER Warns of hazards that **WILL** cause serious personal injury, death or major property damage.



WARNING Warns of hazards that **CAN** cause serious personal injury, death or major property damage.



CAUTION Warns of hazards that **CAN** cause personal injury or property damage.

NOTICE: INDICATES SPECIAL INSTRUCTIONS WHICH ARE VERY IMPORTANT AND MUST BE FOLLOWED.

THOROUGHLY REVIEW ALL INSTRUCTIONS AND WARNINGS PRIOR TO PERFORMING ANY WORK ON THIS PUMP.

MAINTAIN ALL SAFETY DECALS.



Hazardous fluids can cause fire, burns or death.

UNIT NOT DESIGNED FOR USE WITH HAZARDOUS LIQUIDS OR FLAMMABLE GASES. THESE FLUIDS MAY BE PRESENT IN CONTAINMENT AREAS.

DESCRIPTION and SPECIFICATIONS:

The Model MCS is a close coupled, end suction, centrifugal pump for general liquid transfer service, booster applications, etc. Liquid-end construction is all AISI Type 304 stainless steel, stamped and welded. Impellers are fully enclosed, non-trimmable to intermediate diameters. Casings are fitted with diffusers for efficiency and for negligible radial shaft loading.

All units have NEMA 48Y or 56Y motors with square flange mounting and threaded shaft extension.

1. IMPORTANT

- 1.1. Inspect unit for damage. Report any damage to carrier/dealer immediately.
- 1.2. Electrical supply must be a separate branch circuit with fuses or circuit breakers, wire sizes, etc., in compliance with National and Local electrical codes. Install an all-leg disconnect switch near pump.



Always disconnect electrical power when handling pump or controls.

- 1.3. Motors must be wired for proper voltage. Motor wiring diagram is on motor nameplate. Wire size must limit maximum voltage drop to 10% of nameplate voltage at motor terminals, or motor life and pump performance will be lowered.
- 1.4. Always use horsepower-rated switches, contactor and starters.
- 1.5. Motor Protection
 - 1.5.1. Single-phase: Thermal protection for single-phase units is sometimes built in (check nameplate). If no built-in protection is provided, use a contactor with a proper overload. Fusing is permissible.
 - 1.5.2. Three-phase: Provide three-leg protection with properly sized magnetic starter and thermal overloads.
- 1.6. Maximum Operating Limits:


Liquid	212°F (100°C) with standard seal
Temperature:	250°F (120°C) with high temperature seal.
Working Pressure:	75 PSI with standard seal 125 PSI with optional seals.
Starts per Hour:	20, evenly distributed.
- 1.7. Regular inspection and maintenance will increase service life. Base schedule on operating time. Refer to Section 8.

2. INSTALLATION

- 2.1. Locate pump as near liquid source as possible (below level of liquid for automatic operation).
- 2.2. Protect from freezing or flooding.
- 2.3. Allow adequate space for servicing and ventilation.
- 2.4. All piping must be supported independently of the pump, and must "line-up" naturally.



Never draw piping into place by forcing the pump suction and discharge connections.

- 2.5. Avoid unnecessary fittings. Select sizes to keep friction losses to a minimum.
 - 2.6. Units may be installed horizontally, inclined or vertically.
-  **Do not install with motor below pump. Any leakage or condensation will affect the motor.**
- 2.7. Foundation must be flat and substantial to eliminate strain when tightening bolts. Use rubber mounts to minimize noise and vibration.
 - 2.8. Tighten motor hold-down bolts before connecting piping to pump.

3. SUCTION PIPING

- 3.1. Low static suction lift and short, direct, suction piping is desired. Consult pump performance curve for *Net Positive Suction Head Required*.
- 3.2. Suction pipe must be at least as large as the suction connection of the pump. Smaller size will degrade performance.

3.3. If larger pipe is required, an eccentric pipe reducer (with straight side up) must be installed at the pump.

3.4. Installation with pump below source of supply:

3.4.1. Install full flow isolation valve in piping for inspection and maintenance.

CAUTION Do not use suction isolation valve to throttle pump.

3.5. Installation with pump above source of supply:

3.5.1. Avoid air pockets. No part of piping should be higher than pump suction connection. Slope piping upward from liquid source.

3.5.2. All joints must be airtight.

3.5.3. Foot valve to be used only if necessary for priming, or to hold prime on intermittent service.

3.5.4. Suction strainer open area must be at least triple the pipe area.

3.6. Size of inlet from liquid source, and minimum submergence over inlet, must be sufficient to prevent air entering pump through vortexing. See Figures 1 through 4.

3.7. Use 3 to 4 wraps of Teflon tape to seal threaded connections.

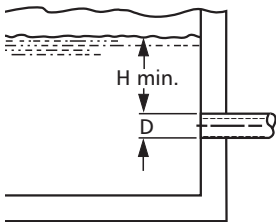


Figure 1

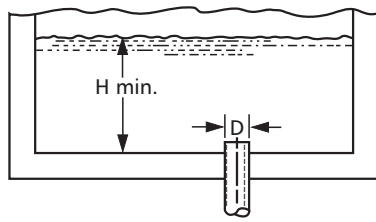
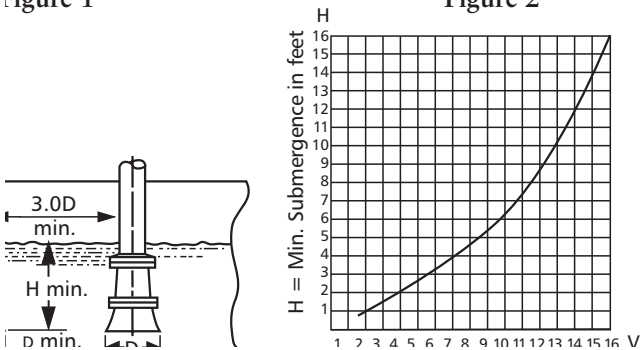


Figure 2



4. DISCHARGE PIPING

4.1. Arrangement must include a check valve located between a gate valve and the pump. The gate valve is for regulation of capacity, or for inspection of the pump or check valve.

4.2. If an increaser is required, place between check valve and pump.

4.3. Use 3 to 4 wraps of Teflon tape to seal threaded connections.

5. ROTATION

5.1. Correct rotation is right-hand (clockwise when viewed from the motor end). Switch power on and off quickly. Observe shaft rotation. To change rotation:

5.1.1. Single-phase motor: Non-reversible

5.1.2. Three-phase motor: Interchange any two power supply leads.

6. OPERATION

6.1. Before starting, pump must be primed (free of air and suction pipe full of liquid) and discharge valve partially open.

6.2. Make complete check after unit is run under operating conditions and temperature has stabilized. Check for expansion of piping.

7. MAINTENANCE

7.1. Ball bearings are located in and are part of the motor. They are permanently lubricated. No greasing required.

CAUTION Pumped liquid provides lubrication. If pump is run dry, rotating parts will seize and mechanical seal will be damaged. Do not operate at or near zero flow. Energy imparted to the liquid is converted into heat. Liquid may flash to vapor. Rotating parts require liquid to prevent scoring or seizing.

8. DISASSEMBLY

Complete disassembly of the unit will be described. Proceed only as far as required to perform the maintenance work required.

8.1. Turn off power.

8.2. Drain system and flush if necessary.

8.3. Remove motor hold-down bolts.

8.4. Disassembly of Liquid End

8.4.1. Remove casing bolts (370).

8.4.2. Remove back pull-out assembly from casing (100).

8.4.3. Remove impeller locknut (304).

CAUTION Do not insert screwdriver between impeller vanes to prevent rotation of close-coupled units. Remove cap at opposite end of motor. A screwdriver slot or a pair of flats will be exposed. Using them will prevent impeller damage.

8.4.4. Remove impeller (101) by turning counter-clockwise when looking at the front of the pump. Protect hand with rag or glove.

CAUTION Failure to remove the impeller in a counter-clockwise direction may damage threading on the impeller, shaft or both.

8.4.5. With two pry bars 180 degrees apart and inserted between the seal housing (184) and the motor adapter (108), carefully separate the two parts. The mechanical seal rotary unit (383) should come off the shaft with the seal housing.

8.4.6. Push out the mechanical seal stationary seat from the motor side of the seal housing.

9. REASSEMBLY

9.1. All parts should be cleaned before assembly.

9.2. Refer to parts list to identify required replacement items. Specify pump index or catalog number when ordering parts.

- 9.3. Reassembly is the reverse of disassembly.
- 9.4. Observe the following when reassembling the liquid-end:
- 9.4.1. All mechanical seal components must be in good condition or leakage may result. Replacement of complete seal assembly, whenever seal has been removed, is good standard practice.
It is permissible to use a light lubricant, such as glycerin, to facilitate assembly. Do not contaminate the mechanical seal faces with lubricant.
 - 9.4.2. Inspect casing O-ring (513) and replace if damaged. This O-ring may be lubricated with petroleum jelly to ease assembly.
 - 9.4.3. Inspect guidevane seal ring (349) and replace if worn.

CAUTION Do not lubricate guidevane seal ring (349). Insure it is not pinched by the impeller on reassembly.

- 9.5. Check reassembled unit for binding. Correct as required.
- 9.6. Tighten casing bolts in a star pattern to prevent O-ring binding.

10. TROUBLE SHOOTING CHART

MOTOR NOT RUNNING

(See causes 1 through 6)

LITTLE OR NO LIQUID DELIVERED

(See causes 7 through 17)

POWER CONSUMPTION TOO HIGH

(See causes 4, 17, 18, 19, 22)

EXCESSIVE NOISE AND VIBRATION

(See causes 4, 6, 9, 13, 15, 16, 18, 20, 21, 22)

PROBABLE CAUSE:

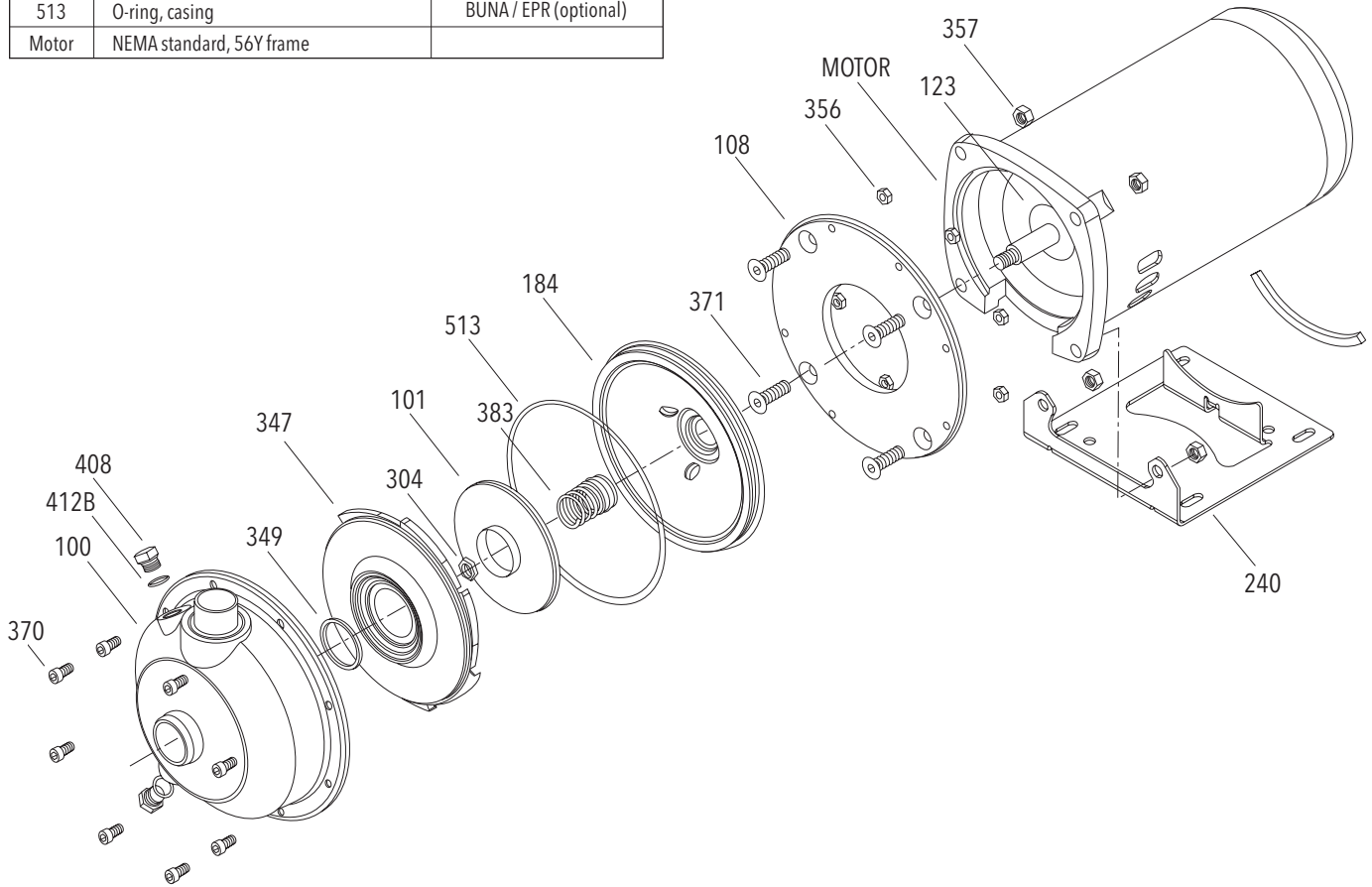
1. Tripped thermal protector
2. Open circuit breaker
3. Blown fuse
4. Rotating parts binding
5. Motor wired improperly
6. Defective motor
7. Not primed
8. Discharge plugged or valve closed
9. Incorrect rotation
10. Foot valve too small, suction not submerged, inlet screen plugged.
11. Low voltage
12. Phase loss (3-phase only)
13. Air or gasses in liquid
14. System head too high
15. NPSHA too low:
Suction lift too high or suction losses excessive.
Check with vacuum gauge.
16. Impeller worn or plugged
17. Incorrect impeller diameter
18. Head too low, causing excessive flow rate
19. Viscosity or specific gravity too high
20. Worn bearings
21. Pump or piping loose
22. Pump and motor misaligned

PARTS LIST

Item No.	Description	Materials
100	Casing	AISI 316L SS
101	Impeller	
108	Motor adapter	Steel
123	Deflector	BUNA-N
184	Seal housing	AISI 316L SS
347	Guidevane	
349	Seal ring, guidevane	BUNA-N
370	Socket head screws, casing	AISI 410 SS
371	Bolts, motor	Plated steel
383	Mechanical seal	See chart
408	Drain and vent plug, casing	AISI 316L SS
412B	O-ring, drain and vent plug	Viton (standard)
513	O-ring, casing	BUNA / EPR (optional)
Motor	NEMA standard, 56Y frame	

MECHANICAL SEAL APPLICATION CHART

Rotary	Stationary	Elastomers	Metal Parts	Part No.
Carbon	Ceramic	BUNA	18-8SS	10K10
		EPR		10K18
Silicon Carbide	Silicon Carbide	Viton	316SS	10K55
		EPR		10K81
		Viton		10K62



GOULDS WATER TECHNOLOGY LIMITED WARRANTY

This warranty applies to all water systems pumps manufactured by Goulds Water Technology.

Any part or parts found to be defective within the warranty period shall be replaced at no charge to the dealer during the warranty period. The warranty period shall exist for a period of twelve (12) months from date of installation or eighteen (18) months from date of manufacture, whichever period is shorter.

A dealer who believes that a warranty claim exists must contact the authorized Goulds Water Technology distributor from whom the pump was purchased and furnish complete details regarding the claim. The distributor is authorized to adjust any warranty claims utilizing the Goulds Water Technology Customer Service Department.

The warranty excludes:

- (a) Labor, transportation and related costs incurred by the dealer;
- (b) Reinstallation costs of repaired equipment;
- (c) Reinstallation costs of replacement equipment;
- (d) Consequential damages of any kind; and,
- (e) Reimbursement for loss caused by interruption of service.

For purposes of this warranty, the following terms have these definitions:

- (1) "Distributor" means any individual, partnership, corporation, association, or other legal relationship that stands between Goulds Water Technology and the dealer in purchases, consignments or contracts for sale of the subject pumps.
- (2) "Dealer" means any individual, partnership, corporation, association, or other legal relationship which engages in the business of selling or leasing pumps to customers.
- (3) "Customer" means any entity who buys or leases the subject pumps from a dealer. The "customer" may mean an individual, partnership, corporation, limited liability company, association or other legal entity which may engage in any type of business.

THIS WARRANTY EXTENDS TO THE DEALER ONLY.



Xylem, Inc.
2881 East Bayard Street Ext., Suite A
Seneca Falls, NY 13148
Phone: (800) 453-6777
Fax: (888) 322-5877
www.xylem.com/brands/gouldswatertechnology

Goulds is a registered trademark of Goulds Pumps, Inc. and is used under license.
© 2012 Xylem Inc. IM052 Revision Number 4 July 2012



Modelo MCS

INSTRUCCIONES DE INSTALACIÓN, FUNCIONAMIENTO Y MANTENIMIENTO

TEMA	PÁGINA
Instrucciones de Seguridad	10
Notas Importantes.....	10
Instalación.....	10
Tubería de Succión	11
Tubería de Descarga	11
Rotación.....	11
Operación	11
Mantenimiento.....	11
Desmontaje	11
Montaje.....	12
Cuadro de Identificación de Problemas.....	12
Lista de Partes	13
Cuadro de Aplicación del Sello Mecánico.....	13
Garantía Limitada	14
Declaración de Conformidad.....	21

Información para el propietario

Número de modelo de la bomba: _____

Número de serie de la bomba: _____

Representante: _____

Número telefónico del representante: _____

Fecha de compra: _____

Fecha de Instalación: _____

Lecturas actuales de la puesta en servicio:

	1 Ø	3 Ø	L1-2	L2-3	L3-1
Amps: _____	_____	_____	_____	_____	_____
Voltios: _____	_____	_____	_____	_____	_____

INSTRUCCIONES DE SEGURIDAD

PARA EVITAR LESIONES PERSONALES GRAVES O FATALES, Y DAÑOS SIGNIFICATIVOS A LA PROPIEDAD, LEA Y SIGA TODAS LAS INSTRUCCIONES DE SEGURIDAD QUE SE ENCUENTRAN EN ESTE MANUAL O EN LA BOMBA.

ESTE MANUAL TIENE LA FUNCIÓN DE ASISTIRLO EN LA INSTALACIÓN Y OPERACIÓN DE ESTA UNIDAD Y DEBE CONSERVARSE CON LA BOMBA.



Éste es un **SÍMBOLO DE ALERTA DE SEGURIDAD**. Cuando vea este símbolo sobre la bomba o en el manual, localice una de las siguientes palabras de señalización y esté alerta ante posibles lesiones personales o daños a la propiedad.



PELIGRO Advierte sobre los peligros que **PROVOCARÁN** lesiones graves, muerte o daños significativos a la propiedad.



ADVERTENCIA Advierte sobre los peligros que **PUEDEN PROVOCAR** lesiones graves, muerte o daños significativos a la propiedad.



PRECAUCIÓN Advierte sobre los peligros que **PROVOCARÁN** o **PUEDEN PROVOCAR** lesiones o daños a la propiedad.

AVISO: INDICA QUE EXISTEN INSTRUCCIONES ESPECIALES MUY IMPORTANTES QUE DEBEN RESPETARSE.

EXAMINE COMPLETAMENTE TODAS LAS INSTRUCCIONES Y ADVERTENCIAS ANTES DE REALIZAR CUALQUIER TRABAJO EN ESTA BOMBA. CONSERVE TODAS LAS CALCOMANÍAS.



Los fluidos peligrosos pueden causar incendios, quemaduras o la muerte.

ESTA UNIDAD NO SE ENCUENTRA DISEÑADA PARA SER USADA CON LÍQUIDOS O GASES INFLAMABLES. ESTOS FLUIDOS PUEDEN ESTAR PRESENTES EN ÁREAS CONTAMINADAS.

DESCRIPCIÓN Y ESPECIFICACIONES

El modelo MCS es una bomba centrífuga de acoplamiento cerrado y succión por el extremo, para servicio general de transferencia de líquidos, aplicaciones de refuerzo, etc. El extremo del líquido está totalmente construido en acero inoxidable AISI tipo 304, troquelado y soldado. Los impulsores están completamente encerrados y no pueden ser ajustados a diámetros intermedios. Las carcasas están equipadas con difusores para una mayor eficacia y mínima carga radial del eje.

Todas las unidades cuentan con motores NEMA 48Y ó 56Y, con montaje de brida cuadrada y extensión roscada del eje.

1. NOTAS IMPORTANTES

- 1.1. Inspeccione la unidad para asegurarse de que no esté dañada. Informe inmediatamente al transportista/distribuidor de cualquier daño.
- 1.2. El suministro eléctrico debe ser un circuito en ramal separado, con fusibles o interruptores de circuito, tamaño de cables, etc., en conformidad con los

códigos eléctricos locales y nacionales. Instale un interruptor de desconexión de todo el circuito cerca de la bomba.



PRECAUCIÓN Siempre desconecte la alimentación eléctrica al manipular la bomba o los controles.

- 1.3. Los motores deben estar cableados para el voltaje adecuado. El diagrama de cableado del motor se encuentra en la placa de identificación. El tamaño del cable debe limitar la caída máxima de voltaje a un 10% del voltaje nominal en las terminales del motor; de lo contrario, la vida útil del motor y el desempeño de la bomba se verán reducidos.
- 1.4. Siempre utilice interruptores, contactores y arrancadores con capacidad expresada en caballos de fuerza (HP).
- 1.5. Protección del motor
 - 1.5.1. Monofásico: la protección térmica de las unidades monofásicas a veces está incorporada (consulte la placa de identificación). Si no se provee protección incorporada, utilice un contactor con la sobrecarga apropiada. Se puede implementar la protección con fusibles.
 - 1.5.2. Trifásico: provea protección de tres patas con arrancador magnético y sobrecargas térmicas de la capacidad adecuada.
- 1.6. Límites máximos de operación

Temperatura del líquido:	212°F (100°C) con sello estándar
	250°F (120°C) con sello para alta temperatura
Presión de operación:	75 PSI con sello estándar
	125 PSI con sellos opcionales
Arranques por hora:	20, distribuidos en forma pareja
- 1.7. La inspección y el mantenimiento regulares prolongarán la vida útil de la bomba. La frecuencia de estos servicios debe basarse en el tiempo de operación. Consulte la sección 8.

2. INSTALACIÓN

- 2.1. Coloque la bomba tan cerca de la fuente de líquido como sea posible (por debajo del nivel del líquido para operación automática).
- 2.2. Proteja la bomba contra inundaciones y temperaturas de congelamiento.
- 2.3. Deje espacio suficiente para efectuar tareas de mantenimiento y para ventilación.
- 2.4. Toda la tubería debe estar soportada en forma independiente de la bomba, y se debe "alinearse" naturalmente.



PRECAUCIÓN Nunca ponga la tubería en su lugar forzando las conexiones de succión o descarga de la bomba.

- 2.5. Evite usar accesorios de conexión innecesarios. Elija los tamaños adecuados para mantener las pérdidas por fricción reducidas a un mínimo.
- 2.6. Las bombas se pueden instalar en posición horizontal, vertical o inclinada.

- 2.7. La base de montaje debe ser plana y sólida para eliminar la deformación al ajustar los bulones. Use monturas de goma para minimizar el ruido y la vibración.
- 2.8. Ajuste los bulones de sujeción del motor antes de conectar la tubería a la bomba.

3. TUBERÍA DE SUCCIÓN

- 3.1. Lo ideal es una carga de succión baja y estática y una tubería de succión directa y corta. Consulte en la curva de desempeño de la bomba la carga de succión positiva neta requerida.
- 3.2. La tubería de succión debe ser al menos del tamaño de la conexión de succión de la bomba. Un tamaño más pequeño disminuirá el rendimiento.
- 3.3. Si se requiere tubería más grande, se debe instalar un reductor de tubo excéntrico (con el lado recto hacia arriba) en la bomba.
- 3.4. Instalación con la bomba por debajo de la fuente de suministro:
 - 3.4.1. Instale una válvula de aislamiento total del flujo para las tareas de inspección y mantenimiento.

PRECAUCIÓN No use la válvula de aislamiento de succión para estrangular la bomba.

- 3.5. Instalación con la bomba por encima de la fuente de suministro:
 - 3.5.1. Evite los baches de aire. Ninguna sección de la tubería debe estar más alta que la conexión de succión de la bomba. Incline la tubería hacia arriba desde la fuente del líquido.
 - 3.5.2. Todas las uniones deben ser herméticas.
 - 3.5.3. La válvula de pie debe usarse sólo si fuera necesario para cebar o para mantener el cebado durante el servicio intermitente.
 - 3.5.4. El área abierta de la cesta de succión debe ser al menos tres veces mayor que el área de la tubería.
- 3.6. El tamaño de la entrada desde la fuente del líquido y la inmersión mínima sobre la entrada deben ser suficientes para evitar que entre aire a la bomba a causa de torbellinos. Observe las figuras 1 a 4.

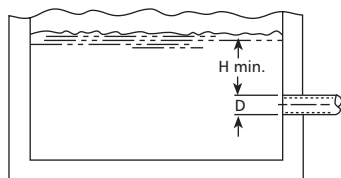


Figura 1

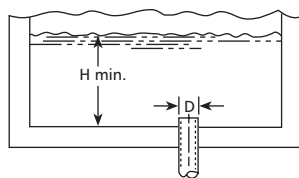


Figura 2

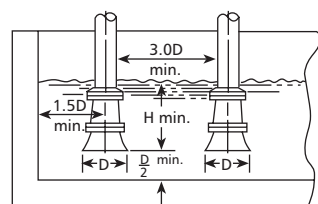


Figura 3

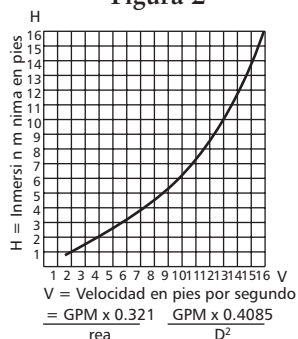


Figura 4

- 3.7. Use 3 ó 4 vueltas de cinta de teflón para sellar las conexiones roscadas.

4. TUBERÍA DE DESCARGA

- 4.1. La disposición debe incluir una válvula de retención ubicada entre la válvula de compuerta y la bomba. La válvula de compuerta es para regular la capacidad y para inspeccionar la bomba y la válvula de retención.
- 4.2. Si se requiere un aumentador, colocarlo entre la válvula de retención y la bomba.
- 4.3. Use 3 ó 4 vueltas de cinta de teflón para sellar las conexiones roscadas.

5. ROTACIÓN

- 5.1. La rotación correcta es hacia la derecha, en el sentido de las agujas del reloj cuando se mira desde el extremo del motor. Encienda y apague el motor rápidamente. Observe la rotación del eje. Para cambiar el sentido de rotación:
 - 5.1.1. Motores monofásicos: la rotación no es reversible.
 - 5.1.2. Motores trifásicos: intercambie dos conductores de alimentación eléctrica cualesquiera.

6. OPERACIÓN

- 6.1. Antes de comenzar, la bomba debe estar cebada (libre de aire y con la tubería de succión llena de líquido) y la válvula de descarga debe estar parcialmente abierta.
- 6.2. Haga un chequeo completo luego de que la unidad haya funcionado en las condiciones de operación y se haya estabilizado la temperatura. Controle la expansión de la tubería.

7. MANTENIMIENTO

- 7.1. Los cojinetes de bola están ubicados en el motor y forman parte de él. Están permanentemente lubricados. No es necesario engrasarlos.

PRECAUCIÓN El líquido bombeado provee lubricación. Si la bomba se hace funcionar en seco, las partes rotativas se agarrotarán y se dañará el sello mecánico. No opere la bomba sin flujo o con poco flujo. La energía que se imparte al líquido se convierte en calor y el líquido puede evaporarse. Las partes rotativas requieren líquido para evitar rayaduras o agarrotamiento.

8. DESMONTAJE

A continuación se describe el procedimiento para desarmar completamente la unidad. Proceda sólo hasta donde sea necesario para realizar las tareas de mantenimiento requeridas.

- 8.1. Apague la bomba.
- 8.2. Drene el sistema y limpie con una descarga de agua si fuera necesario.
- 8.3. Retire los bulones de sujeción del motor.
- 8.4. Desmontaje del extremo del líquido
 - 8.4.1. Retire los bulones de la carcasa (370)

8.4.2. Retire el conjunto retractable posterior de la carcasa (100)

8.4.3. Retire la contratuerca del impulsor (304)

PRECAUCIÓN En unidades de acoplamiento cerrado, nunca inserte un destornillador entre las aletas del impulsor para impedir la rotación. Retire la tapa en el extremo opuesto del motor. Verá una ranura para el destornillador o un par de caras planas. Utilizándolos evitará dañar el impulsor.

8.4.4. Retire el impulsor (101) haciéndolo girar en el sentido opuesto a las agujas del reloj cuando se mira el frente de la bomba. Proteja su mano con un guante o trapo.

PRECAUCIÓN Si el impulsor no se retira en la dirección opuesta a las agujas del reloj se puede dañar el roscado del impulsor o el del eje, o ambos.

8.4.5. Con dos barras de palanca colocadas a 180 grados entre sí e insertadas entre la cubierta del sello (184) y el adaptador del motor (108), separe con cuidado las dos partes. La unidad rotativa del sello mecánico (383) debe salir del eje con la cubierta del sello.

8.4.6. Empuje hacia afuera el asiento estacionario del sello mecánico desde el lado del motor de la cubierta del sello.

9. MONTAJE

9.1. Se deben limpiar todas las partes antes de volver a armar la unidad.

9.2. Consulte la lista de partes para identificar los repuestos requeridos. Especifique el número de catálogo o de índice de la bomba al hacer el pedido.

9.3. El procedimiento de montaje es inverso al de desmontaje.

9.4. Al volver a armar el extremo del líquido, preste atención a lo siguiente:

9.4.1. Todos los componentes del sello mecánico deben estar en buenas condiciones, de lo contrario podrían ocurrir fugas. Una buena práctica estándar consiste en reemplazar el conjunto completo del sello cada vez que se lo retira.

Puede usar un lubricante liviano, como glicerina, para facilitar el armado. Tenga cuidado de no contaminar las caras del sello mecánico con lubricante.

9.4.2. Inspeccione el anillo en O (513) de la carcasa y reemplácelo si estuviera dañado. Este anillo en O puede lubricarse con jalea de petróleo para facilitar el armado.

9.4.3. Inspeccione el anillo de sellado de las aletas guía (349) y reemplácelo si está gastado.

PRECAUCIÓN No lubrique el anillo de sellado de las aletas guía (349). Al volver a armar, asegúrese de que el impulsor no apriete el anillo de sellado.

9.5. Inspeccione la unidad rearmada en busca de ligaduras y efectúe las correcciones necesarias.

9.6. Ajuste los bulones de la carcasa alternadamente trazando una estrella para evitar que el anillo en O se ligue.

10. CUADRO DE IDENTIFICACIÓN DE PROBLEMAS

EL MOTOR NO FUNCIONA
(Vea las causas 1 a 6)

SE ENTREGA POCO O NADA DE LÍQUIDO
(Vea las causas 7 a 17)

ALTO CONSUMO DE ENERGÍA
(Vea las causas 4, 17, 18, 19, 22)

RUIDO Y VIBRACIÓN EXCESIVOS
(Vea las causas 4, 6, 9, 13, 15, 16, 18, 20, 21, 22)

CAUSA PROBABLE:

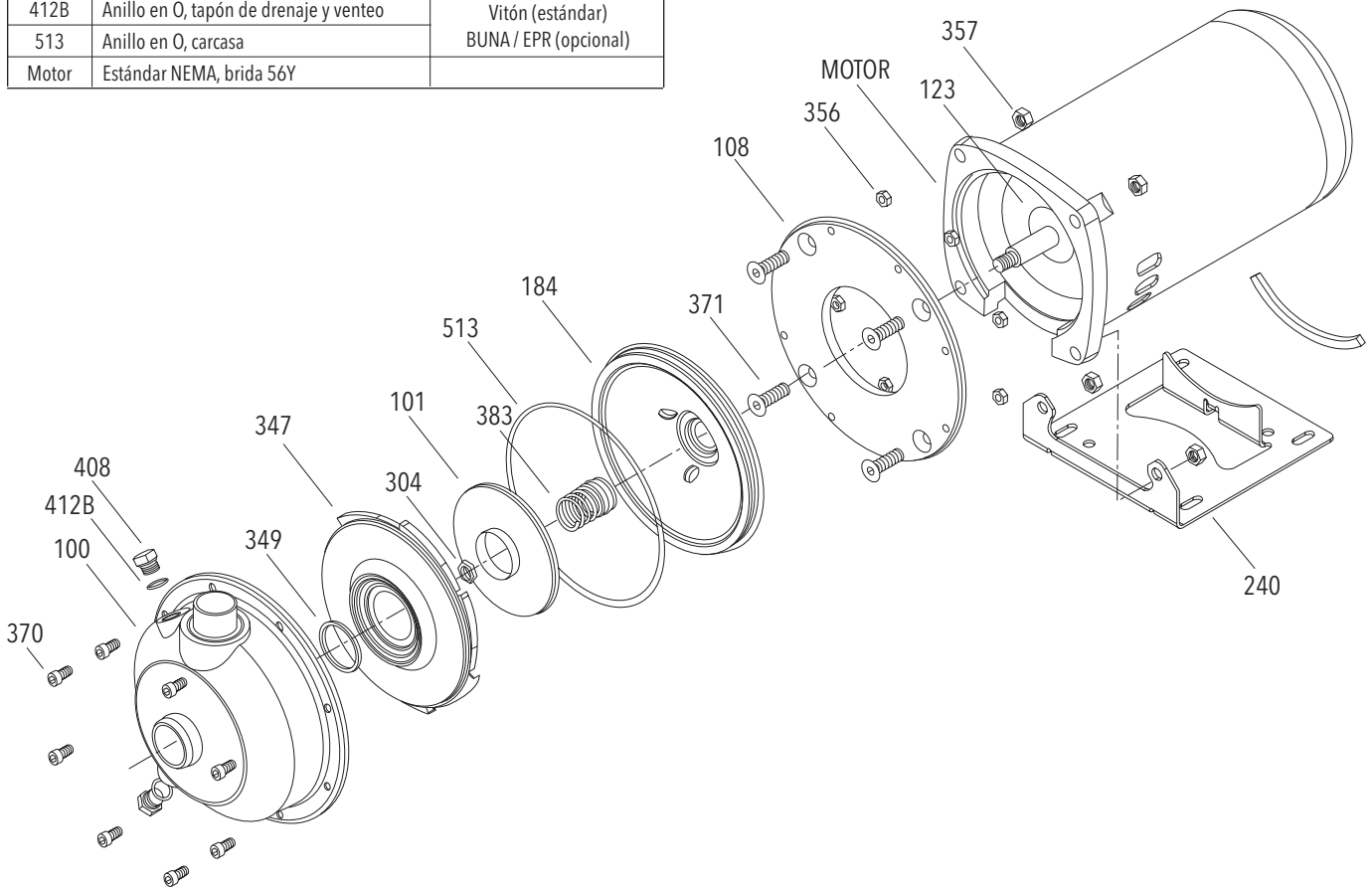
1. Protector térmico desconectado
2. Interruptor de circuito abierto
3. Fusible quemado
4. Partes rotativas ligadas
5. Incorrecto cableado del motor
6. Motor defectuoso
7. Falta de cebado
8. Descarga tapada o válvula cerrada
9. Rotación incorrecta
10. Válvula de pie muy pequeña, succión no sumergida, pantalla de admisión tapada
11. Baja tensión
12. Pérdida de fase (unidad trifásica solamente)
13. Aire o gases en el líquido
14. Altura de elevación del sistema muy alta
15. Carga disponible de succión positiva neta (NPSHA) muy baja:
La altura de succión es muy alta o hay excesivas pérdidas de succión. Verifique con un vacuómetro.
16. Impulsor gastado u obstruido
17. Impulsor de diámetro incorrecto
18. Altura de elevación muy baja, causa la velocidad excesiva del flujo
19. Viscosidad o gravedad específica altas
20. Cojinetes gastados
21. Bomba o tubería floja
22. Mala alineación de la bomba y el motor

LISTA DE PARTES

Ítem No.	Descripción	Material
100	Carcasa	Acero inox. 316LAISI
101	Impulsor	
108	Adaptador del motor	Acero
123	Deflector	BUNA-N
184	Cubierta del sello	Acero inox. 316LAISI
347	Aleta guía	
349	Anillo de sellado, aleta guía	BUNA-N
370	Tornillos de cabeza hueca, carcasa	Acero inox. 410 AISI
371	Bulones, motor	Acero galvanizado
383	Sello mecánico	Ver cuadro
408	Tapón de drenaje y venteo, carcasa	Acero inox. 316LAISI
412B	Anillo en O, tapón de drenaje y venteo	Vitón (estándar)
513	Anillo en O, carcasa	BUNA / EPR (opcional)
Motor	Estándar NEMA, brida 56Y	

CUADRO DE APLICACIÓN DEL SELLO MECÁNICO

Rotativo	Estacionario	Elastómeros	Partes metálicas	Parte No.
Carbono	Cerámica	BUNA	Acero inox. 18-8	10K10
		EPR		10K18
Carburo de silicio	Carburo de silicio	Vitón	Acero inox. 316	10K55
		EPR		10K81
		Vitón		10K62



GARANTÍA LIMITADA DE GOULDS WATER TECHNOLOGY

Esta garantía es aplicable a todas las bombas para sistemas de agua fabricadas por Goulds Water Technology.

Toda parte o partes que resulten defectuosas dentro del período de garantía serán reemplazadas sin cargo para el comerciante durante dicho período de garantía. Tal período de garantía se extiende por doce (12) meses a partir de la fecha de instalación, o dieciocho (18) meses a partir de la fecha de fabricación, cualquiera se cumpla primero.

Todo comerciante que considere que existe lugar a un reclamo de garantía deberá ponerse en contacto con el distribuidor autorizado de Goulds Water Technology del cual adquiriera la bomba, y ofrecer información detallada con respecto al reclamo. El distribuidor está autorizado a liquidar todos los reclamos por garantía a través del Departamento de Servicios a Clientes de Goulds Water Technology.

La presente garantía excluye:

- (a) La mano de obra, el transporte y los costos relacionados en los que incurra el comerciante;
- (b) los costos de reinstalación del equipo reparado;
- (c) los costos de reinstalación del equipo reemplazado;
- (d) daños emergentes de cualquier naturaleza; y
- (e) el reembolso de cualquier pérdida causada por la interrupción del servicio.

A los fines de esta garantía, los términos “Distribuidor”, “Comerciante” y “Cliente” se definen como sigue:

- (1) “Distribuidor” es aquel individuo, sociedad, corporación, asociación u otra entidad jurídica que opera entre Goulds Water Technology y el comerciante para la compra, consignación o contratos de venta de las bombas en cuestión.
- (2) “Comerciante” es todo individuo, sociedad, corporación, asociación u otra entidad jurídica que realiza negocios de venta o alquiler-venta (leasing) de bombas a clientes.
- (3) “Cliente” es toda entidad que compra o que adquiere bajo la modalidad de leasing las bombas en cuestión de un comerciante. El término “cliente” puede significar un individuo, una sociedad, una corporación, una sociedad de responsabilidad limitada, una asociación o cualquier otra entidad jurídica con actividades en cualquier tipo de negocios.

LA PRESENTE GARANTÍA SE EXTIENDE AL COMERCIANTE ÚNICAMENTE



Xylem, Inc.
2881 East Bayard Street Ext., Suite A
Seneca Falls, NY 13148
Teléfono: (800) 453-6777
Fax: (888) 322-5877
www.xylem.com/brands/gouldswatertechnology

Goulds es una marca registrada de Goulds Pumps, Inc. y se utiliza bajo licencia.
© 2012 Xylem Inc. IM052 Revisión Número 4 Julio 2012



Modèle MCS

DIRECTIVES D'INSTALLATION, D'UTILISATION ET D'ENTRETIEN

SUJET	PAGE
Consignes de Sécurité.....	17
Informations Importantes.....	17
Installation	17
Tuyauterie D'aspiration.....	18
Tuyauterie de Refoulement.....	18
Rotation	18
Utilisation.....	18
Entretien	18
Démontage.....	18
Remontage	19
Diagnostic des Anomalies	19
Liste de Pièces	20
Table des Garnitures (Joints) Mécaniques	20
Déclaration de Conformité.....	21
Garantie Limitée.....	24

Informations pour le propriétaire

Numéro de modèle de la pompe : _____

Numéro de série de la pompe : _____

Détaillant : _____

N° de téléphone du détaillant : _____

Date d'achat : _____

Date d'installation : _____

Courant mesuré au démarrage :

1 Ø	3 Ø	L1-2	L2-3	L3-1
A: _____	A: _____	_____	_____	_____
V: _____	V: _____	_____	_____	_____

CONSIGNES DE SÉCURITÉ

AFIN DE PRÉVENIR LES BLESSURES GRAVES OU MORTELLES ET LES DOMMAGES MATÉRIELS IMPORTANTS, LIRE ET SUIVRE TOUTES LES CONSIGNES DE SÉCURITÉ FIGURANT DANS LE MANUEL ET SUR LA POMPE.

LE PRÉSENT MANUEL A POUR BUT DE FACILITER L'INSTALLATION ET L'UTILISATION DE LA POMPE ET DOIT RESTER PRÈS DE CELLE-CI.



Le symbole ci-contre est un SYMBOLE DE SÉCURITÉ employé pour signaler les mots-indicateurs dont on trouvera la description ci-dessous. Sa présence sert à attirer l'attention afin d'éviter les blessures et les dommages matériels.



Préviens des risques qui VONT causer des blessures graves, la mort ou des dommages matériels importants.



Préviens des risques qui PEUVENT causer des blessures graves, la mort ou des dommages matériels importants.



Préviens des risques qui PEUVENT causer des blessures ou des dommages matériels.

AVIS : SERT À ÉNONCER LES DIRECTIVES SPÉCIALES DE GRANDE IMPORTANCE QUE L'ON DOIT SUIVRE.

LIRE SOIGNEUSEMENT CHAQUE DIRECTIVE ET AVERTISSEMENT AVANT D'EFFECTUER TOUT TRAVAIL SUR LA POMPE.

N'ENLEVER AUCUN AUTOCOLLANT DE SÉCURITÉ.



Les fluides dangereux peuvent causer un incendie, des brûlures et la mort.

APPAREIL NON CONÇU POUR LES LIQUIDES DANGEREUX NI POUR LES GAZ INFLAMMABLES. CES FLUIDES POURRAIENT ÊTRE PRÉSENTS DANS LES INSTALLATIONS DE CONFINEMENT (PUITS COLLECTEURS).

DESCRIPTION et CARACTÉRISTIQUES

Le modèle MCS est une pompe centrifuge formant un groupe monobloc (montée sur moteur), à aspiration en bout, servant au transfert de liquides de nature générale, à l'augmentation de pression, etc. La tête de pompage est tout en inox AISI de type 304 estampé ou soudé. La roue (impulseur) est fermée et ne peut être réduite à un diamètre intermédiaire. Le corps de pompe est muni d'un diffuseur pour en améliorer le rendement et rendre la charge radiale de l'arbre négligeable.

La pompe est montée sur un moteur NEMA 48Y ou 56Y à bride de fixation carrée et à rallonge d'arbre filetée.

1. INFORMATIONS IMPORTANTES

- 1.1. Inspecter l'appareil et signaler immédiatement tout dommage au transporteur ou au détaillant.
- 1.2. L'alimentation en électricité doit être assurée par un circuit de dérivation distinct dont les fusibles ou les disjoncteurs, le calibre des fils, etc. sont conformes aux prescriptions du code provincial ou national de l'électricité. Poser un sectionneur tout conducteur près de la pompe.



On doit toujours couper le courant lorsque l'on effectue quelque travail que ce soit sur la pompe ou sur les commandes.

- 1.3. Le câblage d'alimentation du moteur doit convenir à la tension de fonctionnement. Le schéma de câblage se trouve sur la plaque signalétique du moteur. Les fils doivent avoir un calibre limitant la chute de tension maximale, aux bornes du moteur, à 10 % de la valeur de tension indiquée sur la plaque signalétique, sinon la durée de vie du moteur et les performances de la pompe diminueront.
- 1.4. Il faut toujours employer des contacteurs et des démarreurs de puissance nominale en horse-power (hp).
- 1.5. Protection du moteur
 - 1.5.1. Moteurs monophasés – Ces moteurs sont parfois munis d'une protection thermique intégrée (indiquée sur la plaque signalétique). Dans le cas contraire, utiliser un contacteur à protection appropriée contre les surcharges. Les dispositifs fusibles sont permis.
 - 1.5.2. Moteurs triphasés – Employer une protection trois conducteurs appropriée contre les surcharges thermiques ainsi qu'un démarreur magnétique convenant à la charge électrique.
- 1.6. Limites d'utilisation maximales

Température	100 °C (212 °F), avec garniture standard ;
du liquide :	120 °C (250 °F), avec garniture pour hautes températures en option.
Pression :	75 lb/po ² , avec garniture standard ; 125 lb/po ² , avec garniture en option.
Démarrages par heure :	20, répartis uniformément
- 1.7. Une inspection et un entretien réguliers augmenteront la durée de vie de l'appareil. Établir un programme d'entretien et d'inspection basé sur le temps de fonctionnement. Voir la section 8.

2. INSTALLATION

- 2.1. Placer la pompe aussi près de la source de liquide que possible (au-dessous du niveau du liquide pour qu'elle fonctionne automatiquement).
- 2.2. Protéger l'appareil contre les inondations et le gel.
- 2.3. Laisser assez d'espace pour l'entretien et l'aération.
- 2.4. La tuyauterie doit posséder ses propres supports et « être alignée » correctement sur la pompe.



La tuyauterie doit être posée de façon à ne jamais appliquer de contrainte sur les raccords d'aspiration et de refoulement de la pompe.

- 2.5. Ne poser aucun accessoire ni raccord de tuyauterie superflu. Choisir le calibre approprié pour réduire les pertes de charge au minimum.
- 2.6. Les pompes peuvent être installées à l'horizontale, à la verticale ou sur une surface inclinée.



Ne pas placer le moteur plus bas que la pompe afin de le protéger contre les fuites et l'eau de condensation.

- 2.7. L'assise doit être plane et solide pour empêcher que le serrage des boulons ne cause de contraintes. Monter l'appareil sur caoutchouc pour réduire le bruit et les vibrations au minimum.
- 2.8. Serrer les boulons de fixation du moteur avant de raccorder la tuyauterie à la pompe.

3. TUYAUTERIE D'ASPIRATION

- 3.1. Une hauteur géométrique d'aspiration réduite et une tuyauterie directe et courte sont souhaitables. Consulter la courbe de performances de la pompe pour obtenir la hauteur nette d'aspiration requise (NPSHR).
- 3.2. Le calibre du tuyau d'aspiration doit être au moins égal à celui du raccord d'aspiration de la pompe pour éviter une perte de performances.
- 3.3. S'il faut un tuyau plus gros, on doit fixer un raccord réducteur excentré (la paroi droite en haut) à la pompe.
- 3.4. Pompe placée plus bas que la source de liquide :
 - 3.4.1. Poser un robinet d'isolement à passage intégral sur le tuyau d'aspiration pour l'inspection et l'entretien.

ATTENTION Ne pas employer le robinet d'isolement pour réduire la section de passage vers la pompe.

- 3.5. Pompe placée plus haut que la source de liquide :
 - 3.5.1. Afin de prévenir les poches d'air, aucun élément de la tuyauterie d'aspiration ne devrait être plus haut que le raccord d'aspiration de la pompe. Incliner la tuyauterie vers le haut à partir de la source de liquide.
 - 3.5.2. Chaque joint doit être étanche.
 - 3.5.3. On n'emploiera un clapet de pied que s'il est requis pour amorcer la pompe ou la maintenir amorcée pendant les arrêts.
 - 3.5.4. La section de passage de la crépine du tuyau d'aspiration doit être au moins le triple de celle du tuyau.

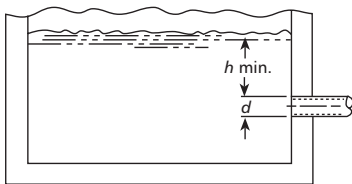


Figure 1

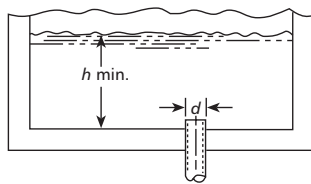


Figure 2

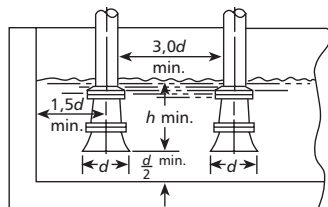


Figure 3

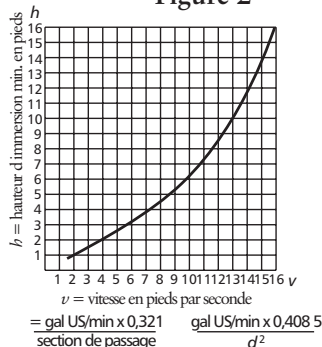


Figure 4

- 3.6. Le diamètre (D) et la hauteur d'immersion (H) de l'orifice d'entrée du tuyau d'aspiration doivent être suffisants pour empêcher l'aspiration d'air par vortex (V. fig. 1 à 4).
- 3.7. Enrouler les raccords filetés de 3 ou 4 couches de ruban de téflon pour les étancher.

4. TUYAUTERIE DE REFOULEMENT

- 4.1. L'installation doit comporter un robinet-vanne, ainsi qu'un clapet de non-retour placé entre le robinet-vanne et la pompe. Le robinet-vanne sert à la régulation du débit et à l'inspection de la pompe et du clapet de non-retour.
- 4.2. Lorsqu'un raccord agrandisseur est nécessaire, le poser entre le clapet de non-retour et la pompe.
- 4.3. Enrouler les raccords filetés de 3 ou 4 couches de ruban de téflon pour les étancher.

5. ROTATION

- 5.1. La rotation appropriée est en sens horaire (vers la droite, vue de l'extrémité du moteur). Établir et couper le courant rapidement pour observer le sens de rotation de l'arbre. Changer le sens de rotation comme suit.

- 5.1.1. Moteur monophasé : sans objet (irréversible).
- 5.1.2. Moteur triphasé : intervertir deux conducteurs d'alimentation du moteur.

6. UTILISATION

- 6.1. Avant la mise en marche, on doit amorcer la pompe (pour en faire sortir l'air), remplir de liquide le tuyau d'aspiration et entrouvrir le robinet de refoulement.
- 6.2. Faire fonctionner l'appareil dans des conditions normales jusqu'à ce que sa température se soit stabilisée, puis vérifier tout le système. Vérifier également si la tuyauterie s'est dilatée.

7. ENTRETIEN

- 7.1. Les roulements sont situés à l'intérieur du moteur et sont lubrifiés à vie. Aucun graissage n'est requis.

ATTENTION Les liquides pompés servent de lubrifiant. Si la pompe tournait à sec, les pièces mobiles gripperaient, et la garniture (joint) mécanique s'endommagerait. Il ne faut donc pas faire marcher la pompe lorsque le débit est nul ou presque, car cette petite quantité d'eau absorberait la chaleur produite par frottement et pourrait se changer rapidement en vapeur. Les pièces tournantes doivent être lubrifiées par le liquide pour ne pas subir de dommages ni se gripper.

8. DÉMONTAGE

Le démontage complet de la pompe est décrit ci-dessous. Ne démonter que ce qui est approprié à l'entretien nécessaire.

- 8.1. Couper le courant.
- 8.2. Vidanger le système. Le rincer au besoin.
- 8.3. Enlever les boulons de fixation du moteur.

- 8.4. Tête de pompage
- 8.4.1. Enlever les vis de fixation (370) du corps de pompe.
- 8.4.2. Écarter l'ensemble pompe du corps de pompe (100).
- 8.4.3. Enlever l'écrou de blocage (304) de la roue.

ATTENTION Ne pas insérer de tournevis entre les aubes de la roue pour l'empêcher de tourner : enlever le couvercle d'extrémité du moteur et utiliser la fente ou les méplats de blocage de l'arbre. On prévient ainsi l'endommagement de la roue.

- 8.4.4. Dévisser la roue (101) dans le sens antihoraire (vu du devant de la pompe). Se protéger les mains avec un linge ou des gants.

ATTENTION Tenter de dévisser la roue dans le sens contraire (horaire) peut endommager les filets de la roue ou de l'arbre, ou des deux.

- 8.4.5. Retirer le logement de joint (184) avec précaution au moyen de deux leviers placés dans un angle de 180° entre le logement et l'adaptateur de moteur (108). L'élément mobile de la garniture mécanique (383) devrait s'enlever avec le logement.
- 8.4.6. Pousser l'élément fixe de la garniture mécanique hors de son logement, placé du côté moteur.

9. REMONTAGE

- 9.1. Chaque pièce devrait être nettoyée avant le remontage.
- 9.2. Voir la liste de pièces pour déterminer celles qui sont requises. Préciser le numéro de pièce ou de catalogue de la pompe lorsque l'on commande des pièces.
- 9.3. Le remontage se fait dans l'ordre inverse du démontage.
- 9.4. Observer les directives suivantes pendant le remontage de la tête de pompage :
- 9.4.1. Tous les composants de la garniture mécanique doivent être en bon état pour empêcher les fuites. Le remplacement de la garniture en entier est une pratique courante appropriée chaque fois que l'on enlève la garniture. On peut utiliser un lubrifiant léger tel que la glycérine pour faciliter l'assemblage. Ne pas contaminer les surfaces de la garniture avec le lubrifiant.
- 9.4.2. Inspecter le joint torique (513) du corps de pompe et le remplacer s'il est endommagé. On peut employer du pétrolatum (vaseline) pour en faciliter la pose.
- 9.4.3. Inspecter la bague d'étanchéité (349) du diffuseur et la remplacer si elle est usée.

ATTENTION Ne pas lubrifier la bague d'étanchéité (349) du diffuseur. S'assurer qu'elle n'est pas pincée par la roue au cours du remontage.

- 9.5. Une fois la pompe remontée, vérifier s'il y a grippage. Apporter les corrections nécessaires.
- 9.6. Serrer les vis de fixation du corps de pompe en étoile pour prévenir le coincement du joint torique.

10. DIAGNOSTIC DES ANOMALIES

NON-FONCTIONNEMENT DU MOTEUR
(V. causes 1 à 6)

DÉBIT DE LIQUIDE FAIBLE OU NUL
(V. causes 7 à 17)

CONSOMMATION D'ÉNERGIE EXCESSIVE
(V. causes 4, 17, 18, 19 et 22)

VIBRATION ET BRUIT EXCESSIFS
(V. causes 4, 6, 9, 13, 15, 16, 18, 20, 21 et 22)

CAUSES PROBABLES :

1. Protecteur thermique déclenché
2. Disjoncteur ouvert
3. Fusible sauté
4. Pièces tournantes grippées
5. Moteur mal connecté
6. Moteur défectueux
7. Pompe non amorcée
8. Tuyau de refoulement obstrué ou robinet fermé
9. Mauvais sens de rotation
10. Clapet de pied trop petit, entrée de tuyau d'aspiration non submergée, crépine de tuyau d'aspiration obstruée
11. Basse tension électrique
12. Perte de phase (moteurs triphasés seulement)
13. Présence d'air ou de gaz dans le liquide
14. Hauteur de charge trop élevée du système
15. Hauteur nette d'aspiration disponible (NPSHA) trop faible : hauteur ou perte d'aspiration excessives – vérifier avec un vacuomètre
16. Roue usée ou engorgée
17. Diamètre de roue inapproprié
18. Hauteur de charge trop faible – débit excessif
19. Viscosité ou densité trop élevée
20. Roulements usés
21. Pompe ou tuyauterie mal assujetties
22. Pompe et moteur désalignés

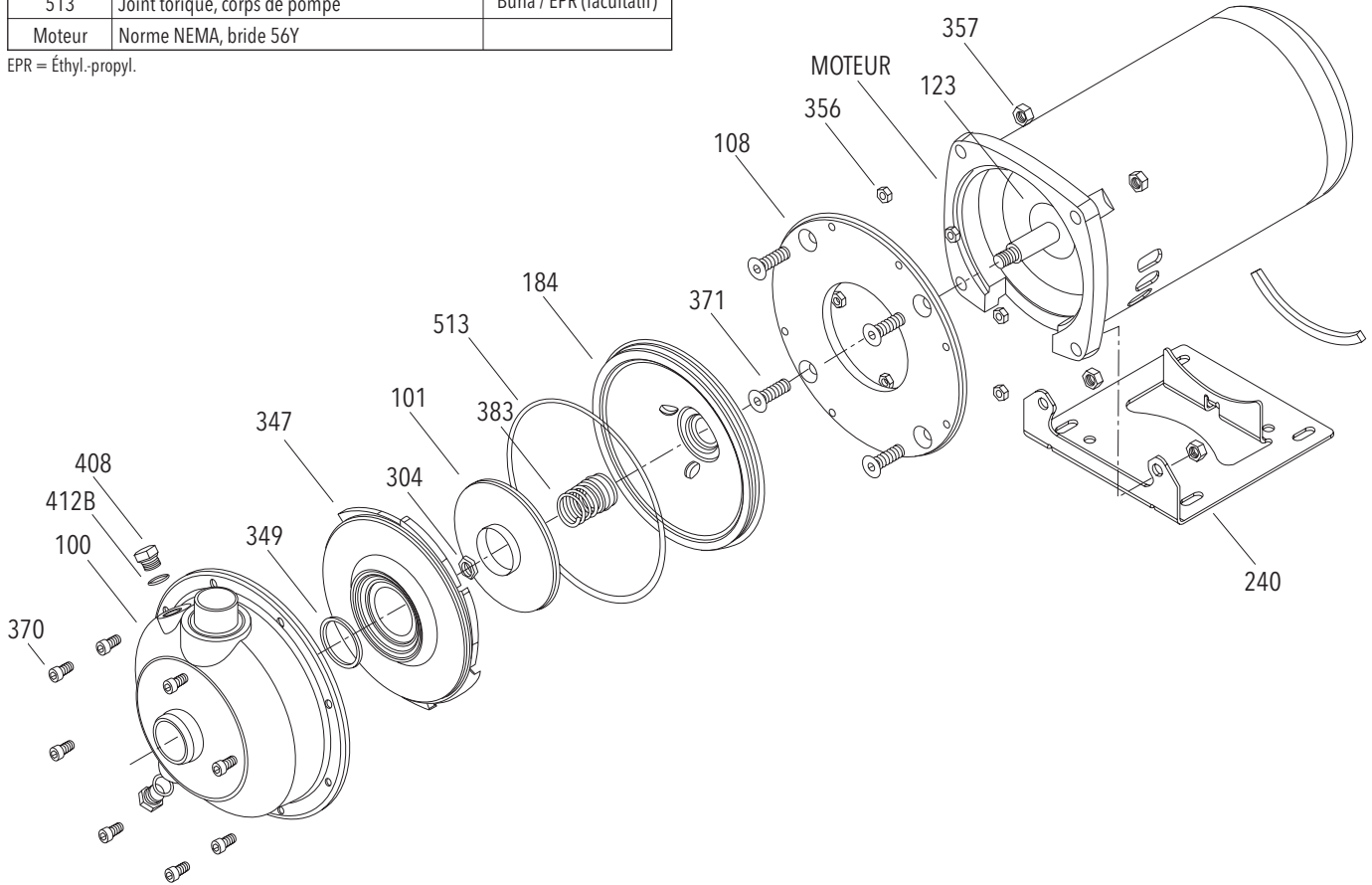
LISTE DE PIÈCES

N° d'article	Description	Matériau
100	Corps de pompe	Inox AISI 316L
101	Roue (impulseur)	
108	Adaptateur de moteur	Acier
123	Défecteur	Buna-N
184	Logement de garniture	Inox AISI 316L
347	Diffuseur	
349	Bague d'étanchéité, diffuseur	Buna-N
370	Vis à tête creuse, corps de pompe	Inox AISI 410
371	Vis, moteur	Acier plaqué
383	Garniture (joint) mécanique	Voir la table.
408	Bouchons vidange et mise à l'air libre, corps	Inox AISI 316L
412B	Joint tor., bouch. vidange et mise à l'air libre	Viton (norme)
513	Joint torique, corps de pompe	Buna / EPR (facultatif)
Moteur	Norme NEMA, bride 56Y	

EPR = Éthyl.-propyl.

TABLE DES GARNITURES (JOINTS) MÉCANIQUES

Élément mobile	Élément fixe	Élastomères	Métal	N° de pièce
Carbonoe	Céramique	Buna	Inox 18-8	10K10
		Éthyl.-propyl.		10K18
Carbure de silicium	Carbure de silicium	Viton	Inox 316	10K55
		Éthyl.-propyl.		10K81
		Viton		10K62



Declaration of Conformity

We at,
Goulds Water Technology/Xylem Inc.
1 Goulds Drive
Auburn, NY 13021

Declare that the following products: NPE, MCS, MCC, 3656, 3656 SP, GB, e-SV, SVI, NPO, Prime Line SP, HB, HMS, LC, NPV, LB, LBS comply with Machine Directive 06/42/EC. This equipment is intended to be incorporated with machinery covered by this directive, but must not be put into service until the machinery into which it is to be incorporated has been declared in conformity with the actual provisions of the directive.

Declaración de Conformidad

Nosotros en
Goulds Water Technology/Xylem Inc.
1 Goulds Drive
Auburn, NY 13021

Declaramos que los siguientes productos: NPE, MCS, MCC, 3656, 3656 SP, GB, e-SV, SVI, NPO, Prime Line SP, HB, HMS, LC, NPV, LB, LBS cumplen con las Directivas para Maquinarias 06/42/EC. Este equipo ha sido diseñado para ser incorporado a la maquinaria cubierta por esta directiva pero no debe ponerse en funcionamiento hasta que se declare que la maquinaria en la que será incorporado cumple con las disposiciones reales de la directiva.

Déclaration de Conformité

Nous, à
Goulds Water Technology/Xylem Inc.
1 Goulds Drive
Auburn, NY, U.S.A. 13021,

déclarons que les produits NPE, MCS, MCC, 3656, 3656 SP, GB, e-SV, SVI, NPO, Prime Line SP, HB, HMS, LC, NPV, LB et LBS sont conformes à la directive 06/42/EC (législation relative aux machines). Ils sont destinés à être intégrés dans la machinerie faisant l'objet de ladite directive, mais ne doivent pas être mis en service tant que la machinerie en question ne sera pas déclarée conforme aux stipulations de la directive.

GARANTIE LIMITÉE DE GOULDS WATER TECHNOLOGY

La présente garantie s'applique à chaque pompe de système d'alimentation en eau fabriquée par Goulds Water Technology.

Toute pièce se révélant défectueuse durant la période de garantie sera remplacée sans frais pour le détaillant durant ladite période, qui dure douze (12) mois à compter de la date d'installation ou dix-huit (18) mois à partir de la date de fabrication, soit la période qui expirera la première.

Le détaillant qui, aux termes de cette garantie, désire effectuer une demande de règlement doit s'adresser au distributeur Goulds Water Technology agréé chez lequel la pompe a été achetée et fournir tous les détails à l'appui de sa demande. Le distributeur est autorisé à régler toute demande par le biais du service à la clientèle de Goulds Water Technology.

La garantie ne couvre pas :

- a) les frais de main-d'oeuvre ou de transport ni les frais connexes encourus par le détaillant ;
- b) les frais de réinstallation de l'équipement réparé ;
- c) les frais de réinstallation de l'équipement de remplacement ;
- d) les dommages indirects de quelque nature que ce soit ;
- e) ni les pertes découlant de la panne.

Aux fins de la présente garantie, les termes ci-dessous sont définis comme suit :

- 1) "Distributeur" signifie une personne, une société de personnes, une société de capitaux, une association ou autre entité juridique servant d'intermédiaire entre Goulds Water Technology et le détaillant pour les achats, les consignations ou les contrats de vente des pompes en question.
- 2) "Détaillant" veut dire une personne, une société de personnes, une société de capitaux, une association ou autre entité juridique dont les activités commerciales sont la vente ou la location de pompes à des clients.
- 3) "Client" signifie une entité qui achète ou loue les pompes en question chez un détaillant. Un "client" peut être une personne, une société de personnes, une société de capitaux, une société à responsabilité limitée, une association ou autre entité juridique se livrant à quelque activité que ce soit.

CETTE GARANTIE SE RAPPORTE AU DÉTAILLANT SEULEMENT.



Xylem, Inc.
2881 East Bayard Street Ext., Suite A
Seneca Falls, NY 13148
Téléphone: (800) 453-6777
Télécopie: (888) 322-5877
www.xylem.com/brands/gouldswatertechnology

Goulds est une marque déposée de Goulds Pumps, Inc. et est utilisé sous le permis.
© 2012, Xylem Inc. IM052 Révision numéro 4 Juillet 2012