



FESTOON TROLLEYS

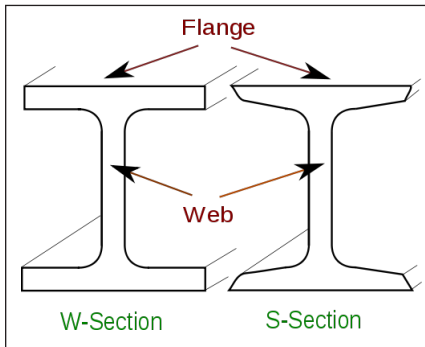
Fully Adjustable Trolleys Fit Any Beam Size



Adjustable Beam Trolleys

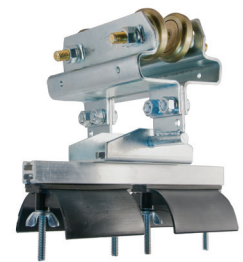
Gleason I-Beam Festoon Trolleys are designed and constructed to fit varying S-Beam and W-Beam sizes with their adjustable chassis. (S-Beam: S3 x 5.7, S4 x 7.7, S6 x 12.5; W-Beam: W6 x 9, W8 x 28, fits W-Beam with a flange ranging in size from 3.94" - 6.54". Consult factory for other beam sizes.) They are made of steel with a bright zinc finish. They utilize bolt-on wheels for easy changeability if or when they need replacing. With a maximum speed of 90m/min., the four-wheel trolley has a maximum rolling load rating of 100kg.

Our Beam trolleys are ideally used on monorails to transport electric cables or air hoses. Multiple saddle configurations provide a variety of cable carrying options for single or dual, flat cable or round cable/hose.



Intermediate or Tow Trolley
with Flat Cable Saddle

Grainger Item No.:
11C495



Intermediate or Tow
Trolley with Dual Flat Cable
Saddles

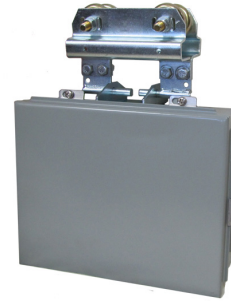
Grainger Item No.:
11C494



Intermediate or Tow Trolley with Steel Saddle for Round Cable/Hose



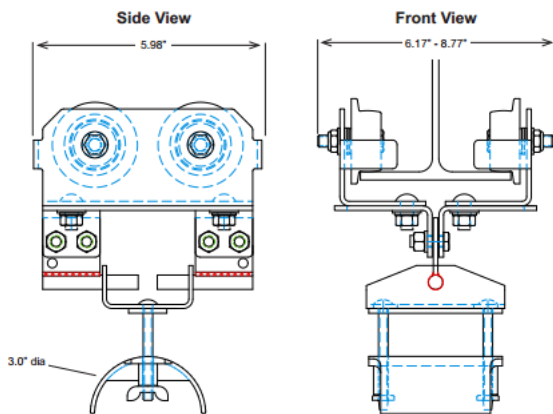
End Clamps with choice of Clamp



Control Box Trolley for Pushbutton Pendant Connection

Mfr's Model #	Description	Grainger Item No.
F-IES	End Stop for S-Beam	11C497
F-ICE	End Clamp for Flat Cable - Single Saddle for S-Beam	11C498
F-ICE-D	End Clamp for Flat Cable - Dual Saddle For S-Beam	11C499
F-ICE/R2	End Clamp for Round Cable - 0.60" - 0.94" dia. For S-Beam	11C501
F-ICE/R3	End Clamp for Round Cable - 0.94" - 1.25" dia. For S-Beam	11C502
F-CTA-F12	Tow Arm 12" For S-Beam Trolleys	11C503
F-CTA-F15	Tow Arm 15" For S-Beam Trolleys	11C504
F-CTA-F18	Tow Arm 18" For S-Beam Trolleys	11C505
F-IT-S3/5.7R2	Intermediate or Tow Trolley for round cable 0.60" - 0.94" dia.	11C492
F-IT-S3/5.7R3	Intermediate or Tow Trolley for round cable 0.94" - 1.25" dia.	11C493
F-IT-3/5.7D	Intermediate or Tow Trolley for Flat cable Dual Saddle	11C494
F-IT-S3/5.7	Intermediate or Tow Trolley for Flat cable	11C495
F-ITB-S3/5.7	Control Box Trolley For Pushbutton Pendant Connection for S-Beam	11C496

W-BEAM TROLLEYS



S-BEAM TROLLEYS

